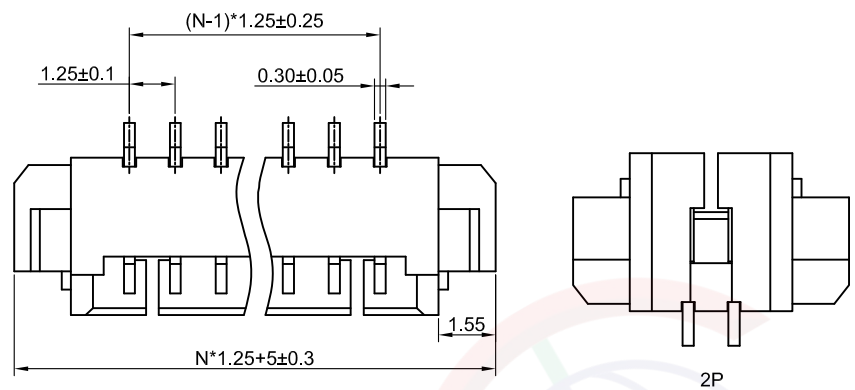


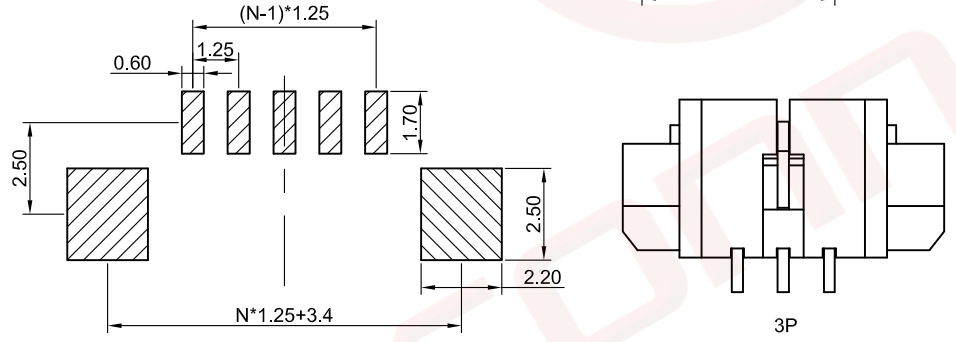
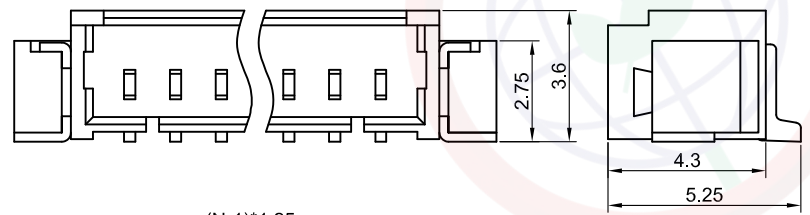
The information provided herein is from CONNELY Electronic Co., Ltd. and is confidential. Any disclosure to a party other than the recipient is prohibited. The intellectual properties and its rights contained herein, including but not limited to, trademarks, patents, copyrights, trade secrets, and technical know-how, are owned exclusively by CONNELY or its affiliates. Unauthorized use of this information in any format or manner. CONNELY may enforce its intellectual property rights at its own discretion; failures or delays to exercise such rights does not constitute a waiver of such rights.

1 2 3 4 5 6 7 8

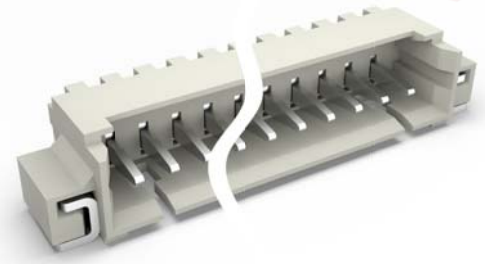
REV.	DESCRIPTION	DRAWN	CHECKED	APPROVED
A	NEW RELEASE	YCH 09/04/08'		LJC 09/04/08'
B	DRAWING UPDATE	JLZ 07/27/16'		
C	DRAWING UPDATE	JLZ 10/26/24'		



N=No. of contacts



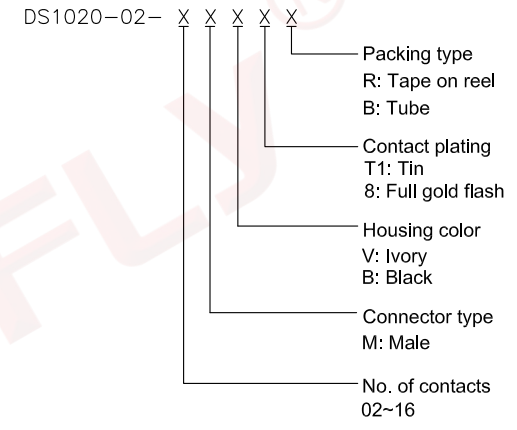
Recommend PCB layout(Tolerance:±0.05)



(Series Image-Reference Only)

NOTES:

- Materials
 - Insulator: Thermoplastic(UL 94V-0).
 - Contact: Copper alloy.
- Specification
 - Temperature range: -40~+105°C.
 - Contact resistance: 20mΩ max.
 - Insulation resistance: 100MΩ min.
 - Dielectric withstanding voltage: AC 250V per minute.
- Product number code:



GENERAL TOLERANCE		ANGLE TOLERANCE		PROJECTION		TITLE	1.25mm Wafer Connector R/A SMT Type				
X.	±0.60	X.	±5°	UNITS	mm	SERIES	DS1020-02 SERIES				
.X	±0.38	.X	±3°	SHEET SIZE	A4						
.XX	±0.25	.XX	±2°								
DRAWING TYPE		CUSTOMER		晨翔电子有限公司 CONNELY ELECTRONIC CO. LTD							
SCALE		1:1						SHEET		1 OF 1	
DRAWING NO.		C-DS1020-02-XXXXX-C									

1 2 3 4 5 6 7 8