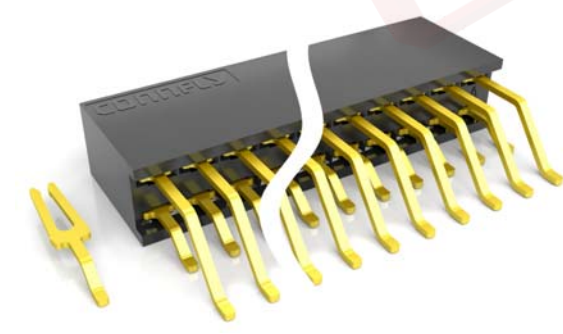
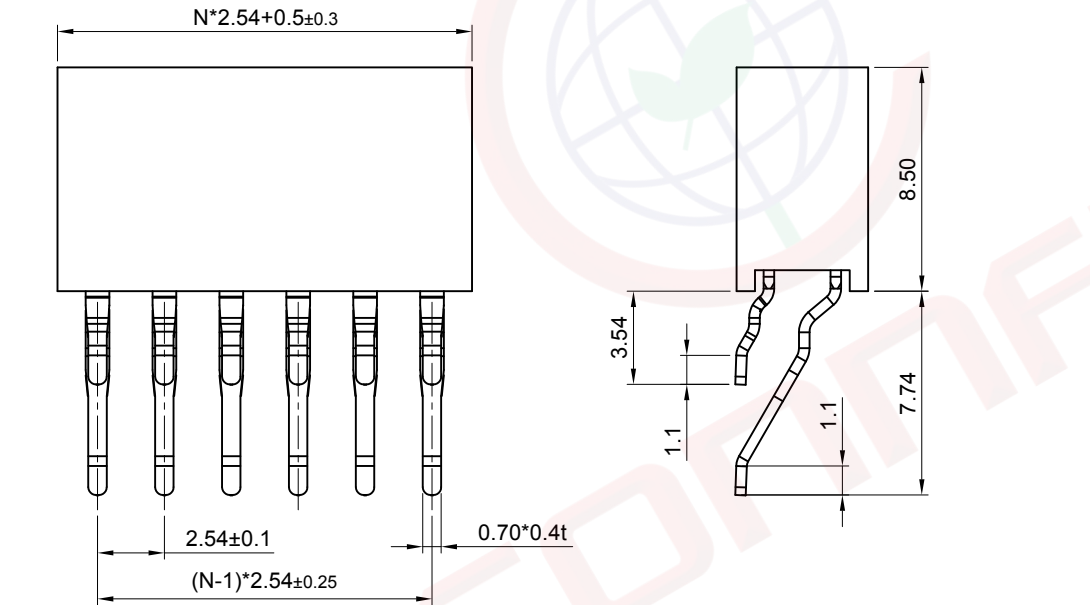
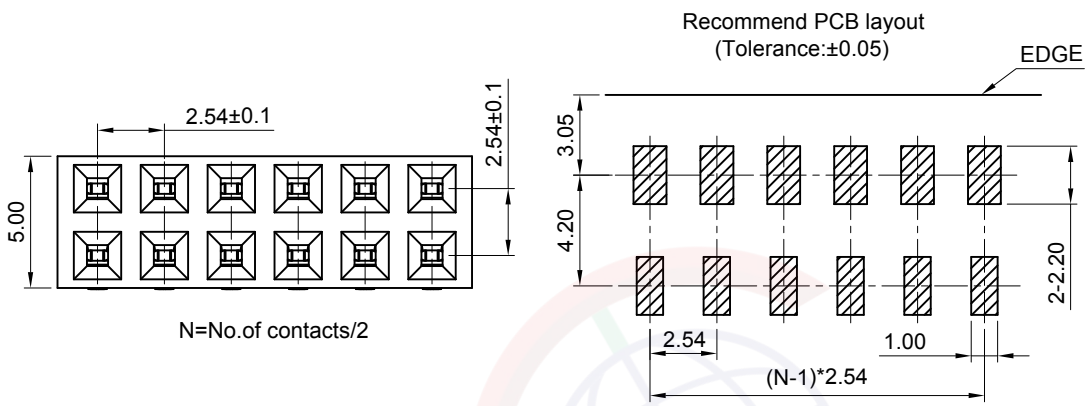


The information provided herein is from CONNELY Electronic Co., Ltd. and is confidential. Any disclosure to a party other than the recipient is prohibited. The intellectual properties and its rights contained herein, including but not limited to, trademarks, patents, copyrights, trade secrets, and technical know-how, are owned exclusively by CONNELY or its affiliates. Unauthorized use or reproduction of any part of this document is strictly prohibited. CONNELY may enforce its intellectual property rights at its own discretion, failures or delays to exercise such rights does not constitute a waiver of such rights.

REV.	DESCRIPTION	DRAWN	CHECKED	APPROVED
A	NEW RELEASE	YCH 10/18/11'	~	LJC 10/18/11'
B	DRAWING UPDATE	JLZ 01/09/19'	HZW 01/09/19'	LJC 01/09/19'
C	P/N CODE UPDATE	JLZ 09/10/19'	~	
D	DRAWING UPDATE	JLZ 04/22/23'	~	



(Series Image-Reference Only)

Notes:

Specifications:

- Contact Resistance: 20mΩ Max.
- Insulation Resistance: 1000MΩ Min.
- Dielectric Withstanding Voltage: 600V AC(rms) For 1 Minute.
- Current Rating:3A.
- Temperature: -40°C~+105°C.

Materials:

- Contact Material: Copper Alloy.
- Contact Plating: Gold Plating Over Nickel.
- Insulator Material: High Temp,Black,UL94-V0.

Product Number Code:

DS1023-24 - X X X X X X

- Packing type: T:tray, R:Tape on reel
- Profile height(DIM A): 1: 8.5mm
- Housing color: B: Black
- Contact plating: 0: Selective gold flash, 8: Full gold flash
- Mounting type: S: SMT type
- No.of contacts: 2x2~2x40

GENERAL TOLERANCE		ANGLE TOLERANCE		PROJECTION		TITLE	
X.	±0.60	X.	±5°	UNITS	mm	2.54mm Female Header SMT Type	
.X	±0.38	.X	±3°	SHEET SIZE	A4	SERIES	DS1023-24 SERIES
.XX	±0.25	.XX	±2°	晨翔电子有限公司 CONNELY ELECTRONIC CO. LTD			
DRAWING TYPE		CUSTOMER					
SCALE	1:1	SHEET	1 OF 1				
DRAWING NO.		C-DS1023-24-XXXXXX-D					