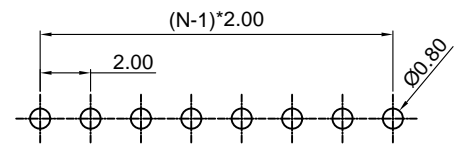
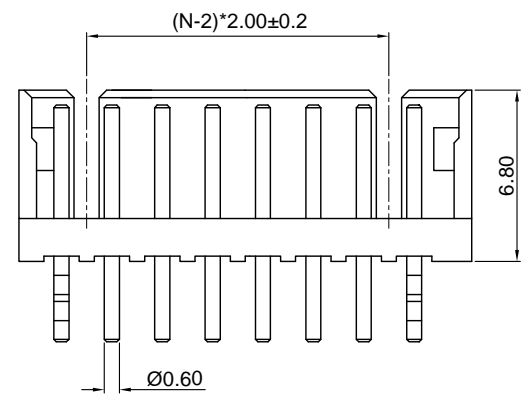
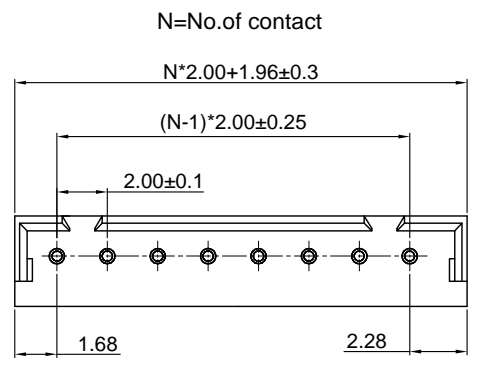


Dept	
Qty	
DC	1
ED	1
IE	1
ISO	1
PD	1
R&D	1
SD	1
QA	1
QC	1
QE	1

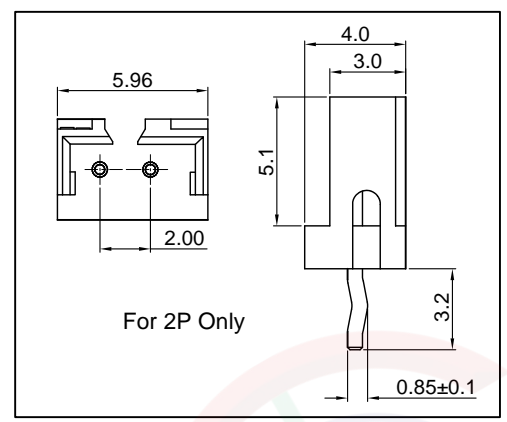
The information provided herein is from CONNELY Electronic Co., Ltd. and is confidential. Any disclosure to a party other than the recipient is prohibited. The intellectual properties and its rights contained herein, including but not limited to, trademarks, patents, copyrights, trade secrets, and technical know-how, are owned exclusively by CONNELY or its affiliates. Unauthorized use of any information contained herein, in any form or by any means, without the prior written permission of CONNELY, may result in legal action. CONNELY may enforce its intellectual property rights at its own discretion, failures or delays in exercising such rights does not constitute a waiver of such rights.



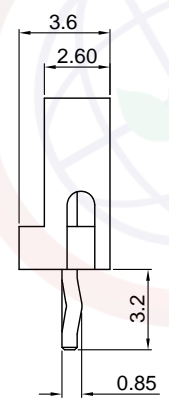
Recommend PCB Layout  
PCB Thickness=1.2mm



(Series Image-Reference Only)



For 2P Only



REV.	DESCRIPTION	DRAWN	CHECKED	APPROVED
A	NEW RELEASE	JLZ 10/11/16'		
B	DRAWING UPDATE	JLZ 02/21/23'		

Notes:

Specifications:

- Contact Resistance: 30mΩ Max.
- Insulation Resistance: 1000MΩ Min.
- Dielectric Withstanding Voltage: 500V AC(rms) For 1 Minute.
- Current Rating:1.5A @ 125V.
- Temperature: -25°C~+85°C.

Materials:

- Contact Material: Copper Alloy.
- Contact Plating: Tin Plating Over Nickel.
- Insulator Material: Nylon 66,White.

Product Number Code:

DS1066-07 - X X X X X

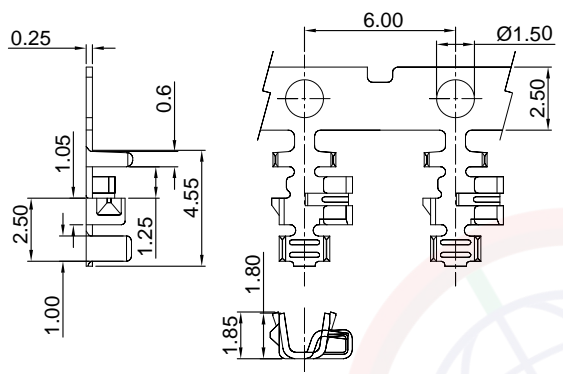
- X Contact Plating  
6: Tin
- X Housing color  
W: White
- X Mounting type  
V: V/T type
- X Connector type  
M: Male
- X No. of contact  
2-15

GENERAL TOLERANCE		ANGLE TOLERANCE		PROJECTION		TITLE	2.00mm Wafer V/T Type			
X.	±0.60	X.	±5°	UNITS	mm	SERIES	DS1066-07 SERIES			
.X	±0.38	.X	±3°	SHEET SIZE	A4					
.XX	±0.25	.XX	±2°							
DRAWING TYPE		CUSTOMER			晨翔电子有限公司 <b>CONNFLY CONNELY ELECTRONIC CO. LTD</b>					
SCALE		1:1	SHEET						1 OF 2	
DRAWING NO.		C-DS1066-07-XXXXXXX-B								

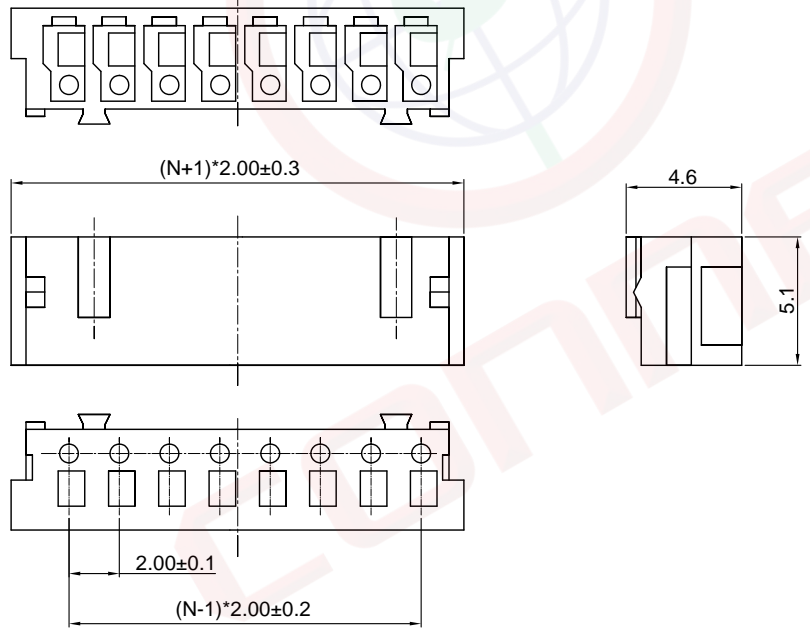
The information provided herein is from CONNELY Electronic Co., Ltd. and is confidential. Any disclosure to a party other than the recipient is prohibited. The intellectual properties and its rights contained herein, including but not limited to, trademarks, patents, copyrights, trade secrets, and technical know-how, are owned exclusively by CONNELY or its affiliates. Unauthorized use or reproduction of any part of this document is strictly prohibited. CONNELY may enforce its intellectual property rights at its own discretion, failures or delays to exercise such rights does not constitute a waiver of such rights.

Female Terminal

Dept	Qty
DC	1
ED	1
IE	1
ISO	1
PD	1
R&D	1
SD	1
QA	1
QC	1
QF	1



Female Housing



(Series Image-Reference Only)

REV.	DESCRIPTION	DRAWN	CHECKED	APPROVED
A	NEW RELEASE	JLZ 10/11/16'		
B	DRAWING UPDATE	JLZ 02/21/23'		

- Notes:
- Specifications:
- Contact Resistance: 30mΩ Max.
  - Insulation Resistance: 1000MΩ Min.
  - Dielectric Withstanding Voltage: 500V AC(rms) For 1 Minute.
  - Current Rating: 1.5A @ 125V.
  - Temperature: -25°C~+85°C.

- Materials:
- Contact Material: Copper Alloy.
  - Contact Plating: Tin Plating Over Nickel.
  - Insulator Material: Nylon 66, White.

Product Number Code:  
T-DS1066-07 -S C X 0 0

Contact Plating  
6: Tin

I-DS1066-07-S C W 0 X

No. of Hole  
2-15

GENERAL TOLERANCE		ANGLE TOLERANCE		PROJECTION		TITLE	
X.	±0.60	X.	±5°	UNITS	mm	2.00mm Housing Crimp Type	
.X	±0.38	.X	±3°	SHEET SIZE	A4	SERIES	DS1066-07 SERIES
.XX	±0.25	.XX	±2°	<b>晨翔电子有限公司</b> CONNELY ELECTRONIC CO. LTD			
DRAWING TYPE		CUSTOMER					
SCALE	1:1	SHEET	2 OF 2				
DRAWING NO.		C-DS1066-07-XXXXXX-B					