

The information provided herein is from CONNELY Electronic Co., Ltd. and is confidential. Any disclosure to a party other than the recipient is prohibited. The intellectual properties and its rights contained herein, including but not limited to, trademarks, patents, copyrights, trade secrets, and technical know-how, are owned exclusively by CONNELY or its affiliates. Unauthorized use of this information in any format or manner. CONNELY may enforce its intellectual property rights at its own discretion; failures or delays to exercise such rights does not constitute a waiver of such rights.

1 2 3 4 5 6 7 8

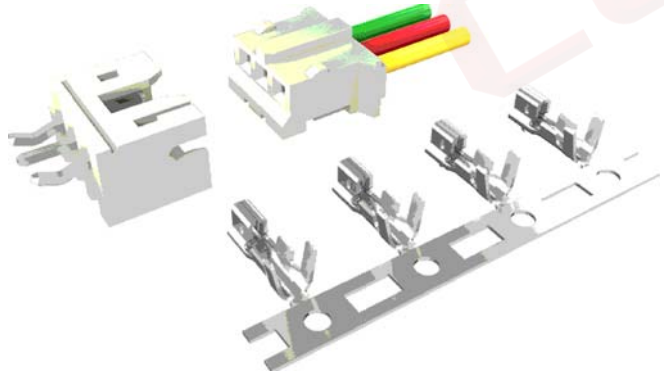
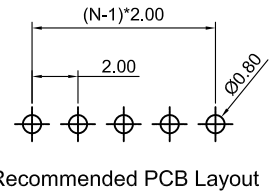
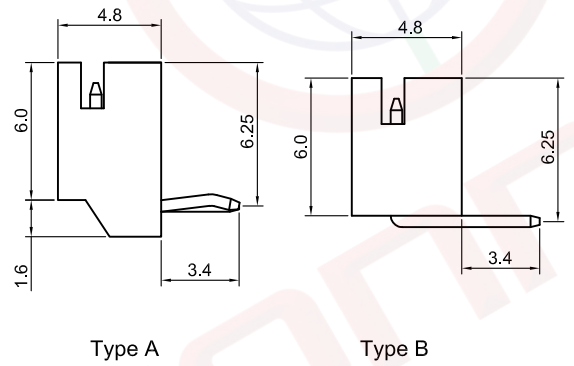
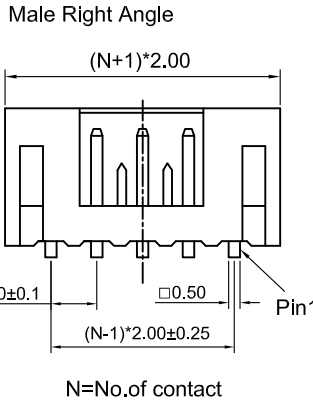
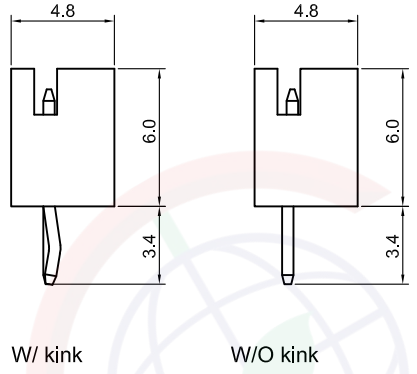
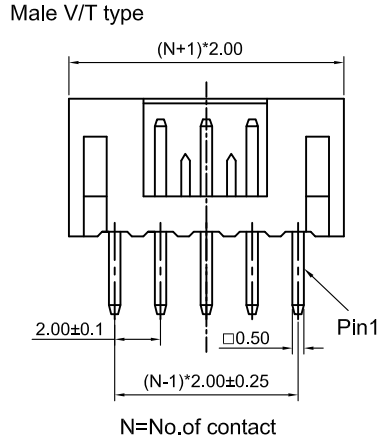
REV.	DESCRIPTION	DRAWN	CHECKED	APPROVED
A	NEW RELEASE	LJH 05/09/05'		LJC 05/09/05'
B	DRAWING UPDATE	JLZ 06/15/16'	HZW 06/15/16'	LJC 06/15/16'
D	DRAWING UPDATE	JLZ 10/15/21'		

NOTES:

- Main specifications
 - Housing material: Nylon 66
 - Wire range: AWG#30~#24
 - Rated voltage: 100V
 - Rated current: 2A(24AWG)
 - Contact resistance: 30mΩ Max
 - Insulation resistance: 1000MΩ Min
 - Withstanding voltage: 500V,AC 1 minute
 - Temperature range: -25 ~ +85°C
 - Recommend PC board thickness:1.6mm
- Product number code:

DS1066 - X X X X X X X

 - Bend Type (R/A only)
 - A: Type A(For W/Kink Only)
 - B: Type B
 - Contact Type
 - X: W/O kink
 - S: W/ kink
 - Contact Plating
 - 6: Tin
 - 8: Full gold flash
 - Housing Color
 - W: White
 - E: Orange
 - Mounting type
 - V: V/T type
 - R: Right Angle
 - Connector type
 - M: Male
 - No.of contact
 - 2 to 15

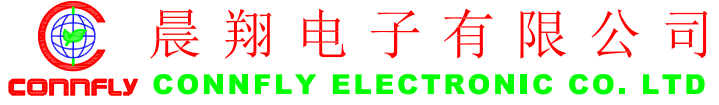


(Series Image-Reference Only)

GENERAL TOLERANCE		ANGLE TOLERANCE	
X.	±0.60	X.	±5°
.X	±0.38	.X	±3°
.XX	±0.25	.XX	±2°

PROJECTION	TITLE	P.C.B CONNECTOR 2.0mm PH TYPE	
	mm	SHEET	A4
SHEET SIZE	A4	SERIES	DS1066 SERIES

DRAWING TYPE	CUSTOMER
SCALE	1:1 SHEET 1 OF 3
DRAWING NO.	C-DS1066-XXXXXXX-D

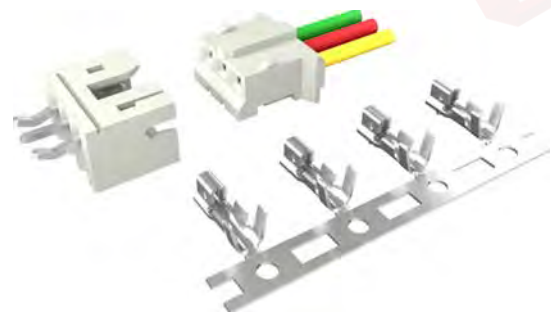
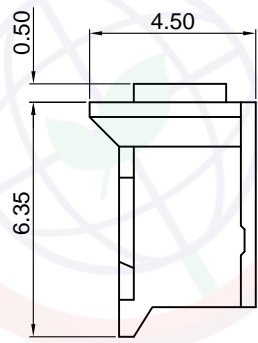
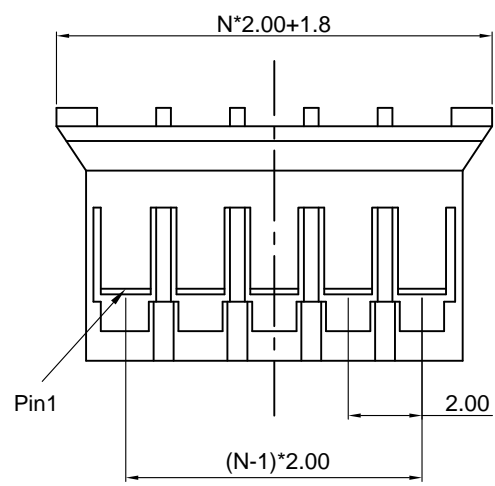


1 2 3 4 5 6 7 8

Dept	Qty
DC	1
ED	1
IE	1
ISO	1
PD	1
R&D	1
SD	1
QA	1
QC	1
QE	1

The information provided herein is from CONNELY Electronic Co., Ltd. and is confidential. Any disclosure to a party other than the recipient is prohibited. The intellectual properties and its rights contained herein, including but not limited to, trademarks, patents, copyrights, trade secrets, and technical know-how, are owned exclusively by CONNELY or its affiliates. Unauthorized use or reproduction of any part of this document is strictly prohibited. CONNELY may enforce its intellectual property rights at its own discretion, failures or delays to exercise such rights does not constitute a waiver of such rights. Its use in any format or manner. CONNELY may enforce its intellectual property rights at its own discretion, failures or delays to exercise such rights does not constitute a waiver of such rights.

Female Housing N=No.of Hole



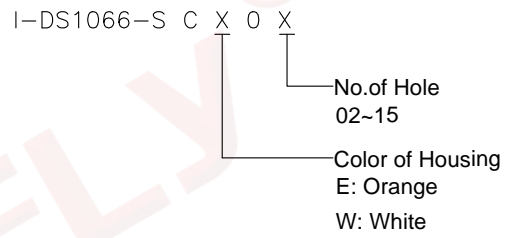
(Series Image-Reference Only)

REV.	DESCRIPTION	DRAWN	CHECKED	APPROVED
A	NEW RELEASE	LJH 05/09/05'		LJC 05/09/05'
B	DRAWING UPDATE	JLZ 06/15/16'	HZW 06/15/16'	LJC 06/15/16'
D	DRAWING UPDATE	JLZ 10/15/21'		

NOTES:

- Main specifications
 - . Housing material: Nylon 66
 - . Wire range: AWG#30~#24
 - . Rated voltage: 100V
 - . Rated current: 2A(24AWG)
 - . Contact resistance: 30mΩ Max
 - . Insulation resistance: 1000MΩ Min
 - . Withstanding voltage: 500V,AC 1 minute
 - . Temperature range: -25 ~ +85°C
 - . Recommend PC board thickness:1.6mm

2. Product number code:



GENERAL TOLERANCE	ANGLE TOLERANCE	PROJECTION		TITLE	P.C.B CONNECTOR 2.0mm PH TYPE	
X. ±0.60	X. ±5°	UNITS	mm	SHEET	2 OF 3	
.X ±0.38	.X ±3°	SHEET SIZE	A4	SERIES	DS1066 SERIES	
.XX ±0.25	.XX ±2°	晨翔电子有限公司 CONNELY CONNELY ELECTRONIC CO. LTD				
DRAWING TYPE	CUSTOMER					
SCALE	1:1					
DRAWING NO.	C-DS1066-XXXXXXX-C					

Dept	
Qty	
DC	1
ED	1
IE	1
ISO	1
PD	1
R&D	1
SD	1
QA	1
QC	1
QE	1

The information provided herein is from CONNPLY Electronic Co., Ltd. and is confidential. Any disclosure to a party other than the recipient is prohibited. The intellectual properties and its rights contained herein, including but not limited to, trademarks, patents, copyrights, trade secrets, and technical know-how, are owned exclusively by CONNPLY or its affiliates. Unauthorized use or modification is strictly prohibited without prior written consent from CONNPLY. All intellectual properties provided herein are for reference purposes only and does not constitute authorization of its use in any format or manner. CONNPLY may enforce its intellectual property rights at its own discretion, failure or delays to exercise such rights does not constitute a waiver of such rights.

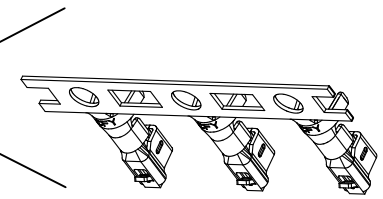
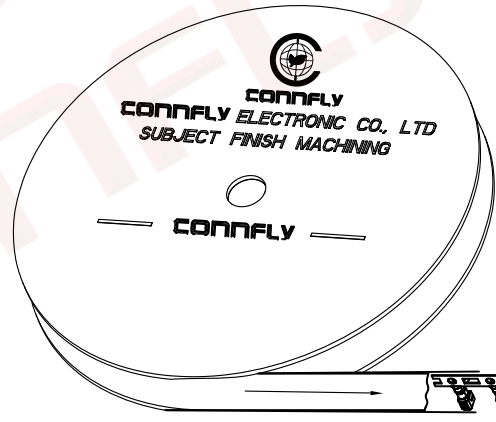
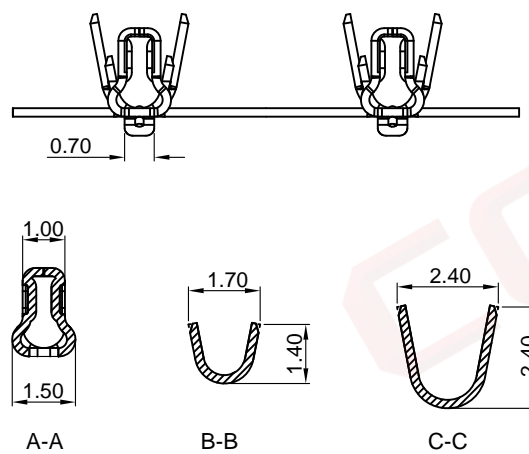
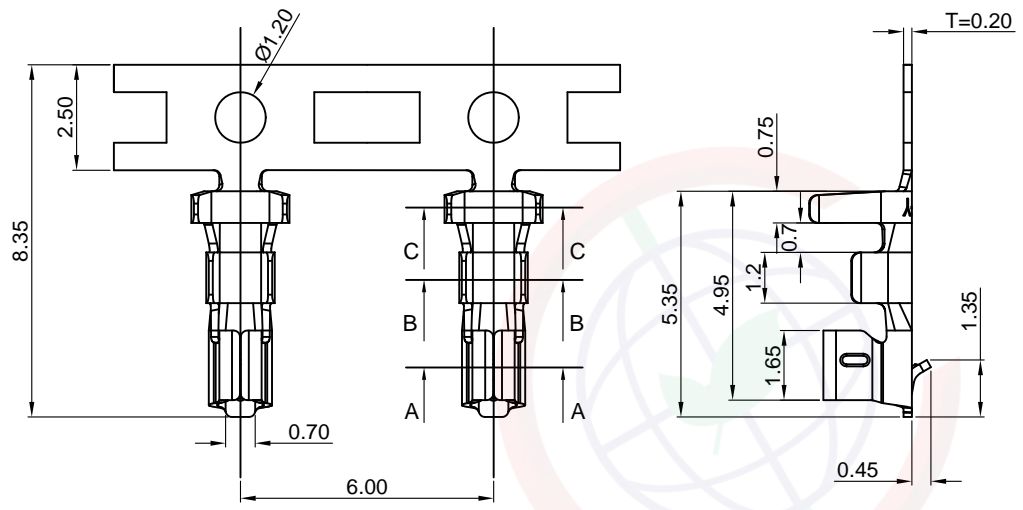
REV.	DESCRIPTION	DRAWN	CHECKED	APPROVED
A	NEW RELEASE	JLZ 01/21/22'		

NOTES:

- Main specifications
 - Contact material: Copper Alloy
 - Wire range: AWG#30-#24
 - Rated voltage: 100V
 - Rated current: 2A(24AWG)
 - Contact resistance: 30mΩ Max
 - Temperature range: -25 ~ +85°C

2. Product number code:
T-DS1066-S C X 0 0

Contact Plating
6: Tin



GENERAL TOLERANCE		ANGLE TOLERANCE		PROJECTION		TITLE	
X.	±0.60	X.	±5°	UNITS	mm	P.C.B CONNECTOR 2.0mm PH TYPE	
.X	±0.38	.X	±3°	SHEET SIZE	A4	SERIES	DS1066 SERIES
.XX	±0.25	.XX	±2°	晨翔电子有限公司 CONNPLY ELECTRONIC CO., LTD			
DRAWING TYPE		CUSTOMER					
SCALE	1:1	SHEET	3 OF 3				
DRAWING NO.		T-DS1066-SCX00-A					