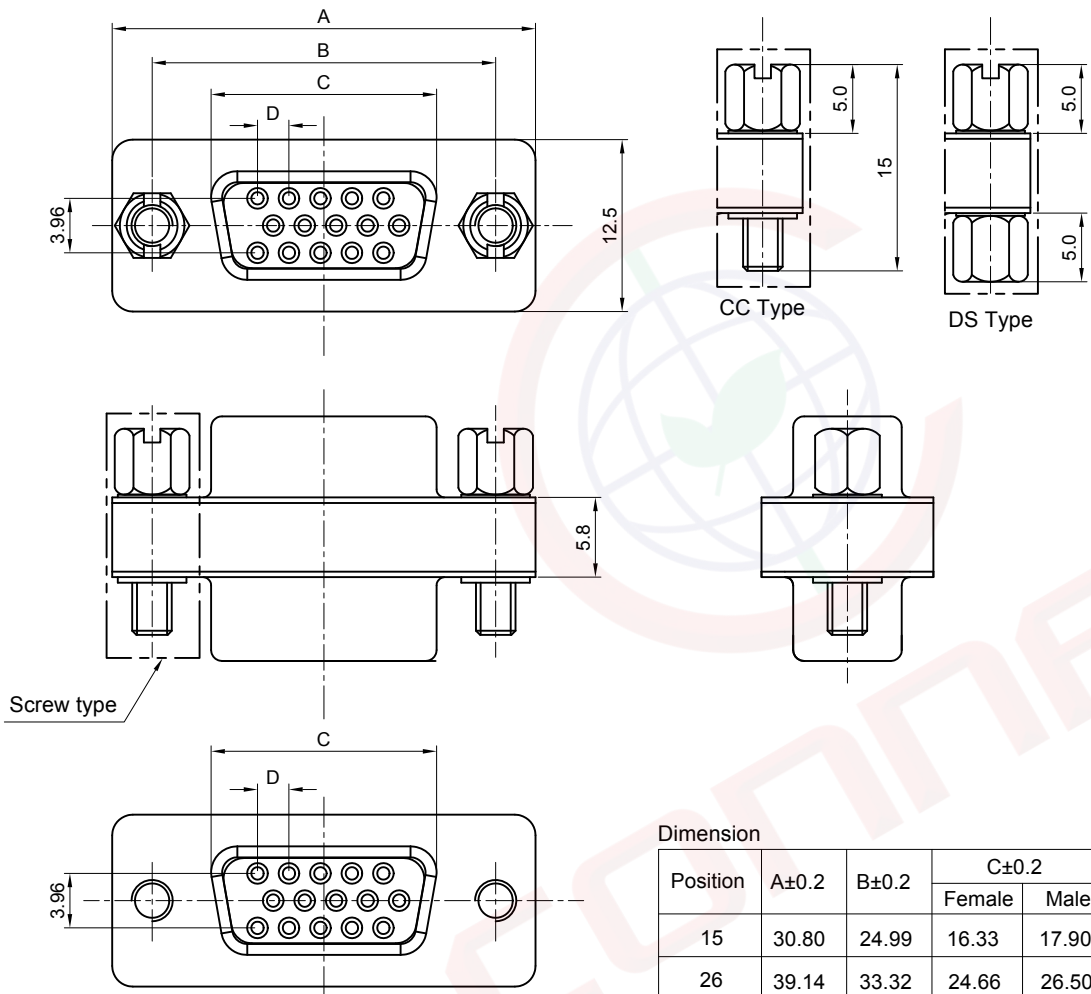


Dept	
Qty	
DC	1
ED	1
IE	1
ISO	1
PD	1
R&D	1
SD	1
QA	1
QC	1
QF	1

The information provided herein is from CONNELY Electronic Co., Ltd. and is confidential. Any disclosure to a party other than the recipient is prohibited. The intellectual properties and its rights contained herein, including but not limited to, trademarks, patents, copyrights, trade secrets, and technical know-how, are owned exclusively by CONNELY or its affiliates. Unauthorized use or reproduction of any part of this document is strictly prohibited. CONNELY may enforce its intellectual property rights at its own discretion, failures or delays to exercise such rights does not constitute a waiver of such rights.

REV.	DESCRIPTION	DRAWN	CHECKED	APPROVED
A	NEW RELEASE	LJC 01/11/09'		LJC 01/11/09'
B	DRAWING UPDATE	JLZ 01/02/23'		



NOTES:

- Specification:
  - Current Rating: 1.5A.
  - Insulation Resistance: 1000MΩ min.
  - Dielectric Withstanding: 500V for One minute.
  - Contact resistance: 50mΩ max.
  - Operating Temperature: -40°C to +105°C
- Materials
  - Housing: Thermoplastic(UL94 V-0).
  - Contact: Copper alloy.
  - Shell: Steel.
- Product Number code:

DS1082-03 - X X X X X

- Screw type
- CC: CC type
- DS: DS type
- Shell plating
- N: All Nickel
- 6: All Tin
- Housing color
- B: black
- L: blue
- Contact plating
- 8: Full gold flash
- Connector type

- 15F: 15Female & 15Female
- 15M: 15Miae & 15Female
- 15P: 15Miae & 15Male
- 26F: 26Female & 26Female
- 26M: 26Male & 26Female
- 26P: 26Male & 26Male
- 44F: 44Female & 44Female
- 44M: 44Male & 44Female
- 44P: 44Male & 44Male
- 62F: 62Female & 62Female
- 62M: 62Male & 62Female
- 62P: 62Male & 62Male

Dimension

Position	A±0.2	B±0.2	C±0.2		D±0.2
			Female	Male	
15	30.80	24.99	16.33	17.90	2.29
26	39.14	33.32	24.66	26.50	2.29
44	53.04	47.04	38.38	40.00	2.29
62	69.32	63.50	54.84	56.50	2.41



(Series Image-Reference Only)

GENERAL TOLERANCE		ANGLE TOLERANCE		PROJECTION		TITLE	
X.	±0.60	X.	±5°	UNITS	mm	H.D-SUB Adaptor	
.X	±0.38	.X	±3°	SHEET SIZE	A4	SERIES	DS1082-03 SERIES
.XX	±0.25	.XX	±2°				
DRAWING TYPE		CUSTOMER					
SCALE		1:1	SHEET	1 OF 1			
DRAWING NO.		C-DS1082-03-XXXXXX-B					

晨翔电子有限公司  
CONNELY ELECTRONIC CO. LTD