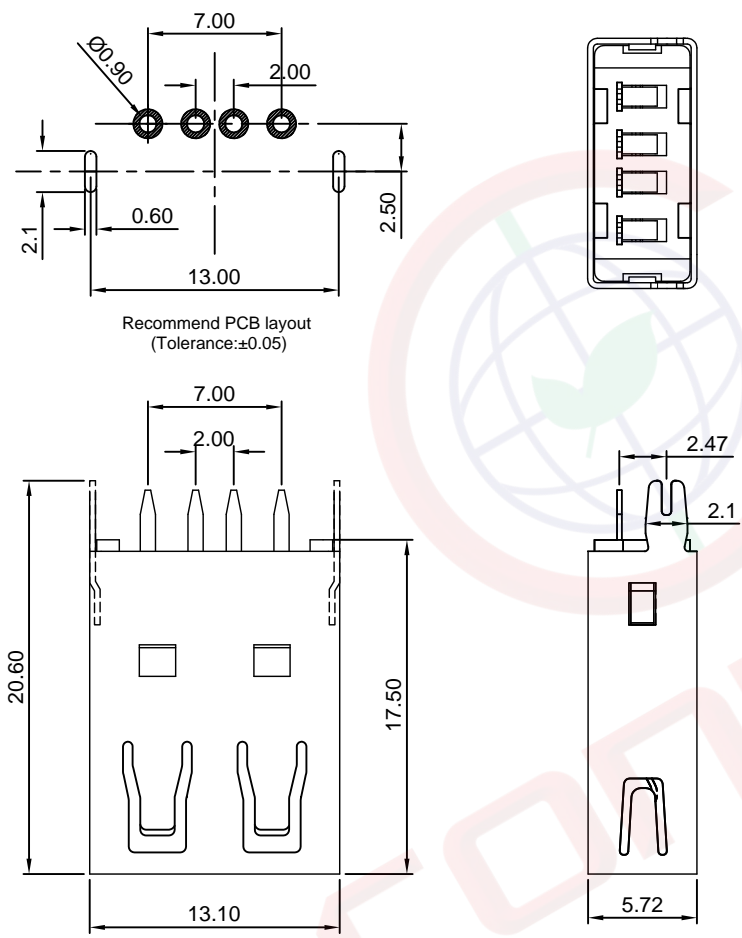


Dept	
Qty	
DC	1
ED	1
IE	1
ISO	1
PD	1
R&D	1
SD	1
QA	1
QC	1
QE	1

The information provided herein is from CONNELY Electronic Co., Ltd. and is confidential. Any disclosure to a party other than the recipient is prohibited. The intellectual properties and its rights contained herein, including but not limited to, trademarks, patents, copyrights, trade secrets, and technical know-how, are owned exclusively by CONNELY or its affiliates. Unauthorized use or reproduction of any part of this document, in any form or by any means, without the prior written permission of CONNELY, is strictly prohibited. CONNELY may enforce its intellectual property rights at its own discretion, failures or delays to exercise such rights does not constitute a waiver of such rights.



(Series Image-Reference Only)

REV.	DESCRIPTION	DRAWN	CHECKED	APPROVED
A	NEW RELEASE	JLZ 08/09/16'		
B	DRAWING UPDATE	JLZ 11/10/22'		

- Notes:
- Specifications:
1. Contact Resistance: 30mΩ Max.
 2. Insulation Resistance: 1000MΩ Min.
 3. Dielectric Withstanding Voltage: 750V AC(rms) For 1 Minute.
 4. Current Rating:1.5A Max
 5. Voltage Rating:30V Max
 6. Temperature: -40°C~+85°C.
- Materials:
1. Contact Material: Copper Alloy.
 2. Shell Material: Copper Alloy.
 3. Insulator Material: Thermoplastic,Black or White.
- Mechanical Characteristics:
1. Mating Force:3.57Kgf Maximum.
 2. Unmating Force:1.02Kgf Minimum.
 3. Durability:1500 Cycles
- Product Number Code:

DS1095-15 - X X X X

- Contact plating
 - 0: Selective gold flash
 - 03: Selective gold 3u"
 - 30: Selective gold 30u"
- Mounting type
 - S: Straight type
- Shell plating
 - N: Nickel
 - 6: Tin
- Color of housing
 - B: Black
 - W: White

GENERAL TOLERANCE		ANGLE TOLERANCE		PROJECTION		TITLE		USB A Female V/T Type H=17.5mm W/O Flange Type	
X.	±0.60	X.	±5°	UNITS	mm				
.X	±0.38	.X	±3°	SHEET SIZE	A4	SERIES	DS1095-15 SERIES		
.XX	±0.25	.XX	±2°	晨翔电子有限公司 CONNFLY ELECTRONIC CO. LTD					
DRAWING TYPE		CUSTOMER							
SCALE	1:1	SHEET	1 OF 1						
DRAWING NO.		C-DS1095-15-XXXX-B							