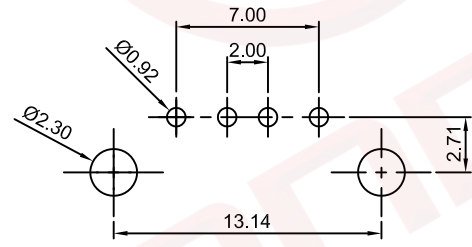
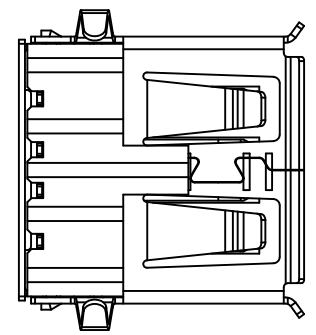
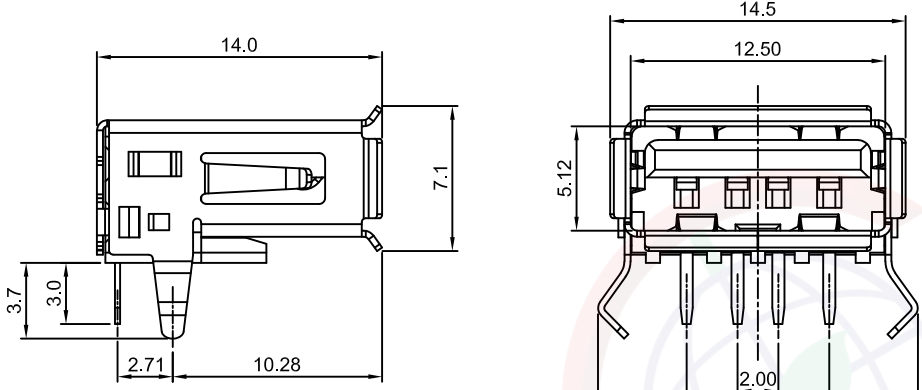


The information provided herein is from CONNELY Electronic Co., Ltd. and is confidential. Any disclosure to a party other than the recipient is prohibited. The intellectual properties and its rights contained herein, including but not limited to, trademarks, patents, copyrights, trade secrets, and technical know-how, are owned exclusively by CONNELY or its affiliates. Unauthorized use of this information in any format or manner. CONNELY may enforce its intellectual property rights at its own discretion; failures or delays to exercise such rights does not constitute a waiver of such rights.

1 2 3 4 5 6 7 8

REV.	DESCRIPTION	DRAWN	CHECKED	APPROVED
A	NEW RELEASE	LL 11/13/06'		LJC 11/13/06'
B	DRAWING UPDATE	JLZ 08/26/19'		



RECOMMEND PCB LAYOUT  
(TOLERANCE=±0.05)



(Series Image-Reference Only)

Notes:

Specifications:

- Contact Resistance: 30mΩ Max.
- Insulation Resistance: 1000MΩ Min.
- Dielectric Withstanding Voltage: 750V AC(rms) For 1 Minute.
- Current Rating:1.5A Max
- Voltage Rating:30V Max
- Temperature: -40°C~+85°C.

Materials:

- Contact Material: Copper Alloy.
- Shell Material: Copper Alloy or Steel.
- Insulator Material: Thermoplastic,Black or White.

Mechanical Characteristics:

- Mating Force:3.57Kgf Maximum.
- Unmating Force:1.02Kgf Minimum.
- Durability:1500 Cycles

Product Number Code:

DS1095 - X X X X - X

- Shell material  
Fe: Steel  
N/A Code: Copper alloy
- Contact plating  
0: Selective gold flash  
03: Selective gold 3u"  
30: Selective gold 30u"
- Mounting type  
R: R/A
- Shell plating  
N: Nickel  
6: Tin
- Color of housing  
W: White  
B: Black

GENERAL TOLERANCE		ANGLE TOLERANCE		PROJECTION		TITLE	USB A TYPE Single port Female TYPE	
X.	±0.60	X.	±5°	UNITS	mm	SHEET	1 OF 1	
.X	±0.38	.X	±3°	SHEET SIZE	A4	SERIES	DS1095 SERIES	
.XX	±0.25	.XX	±2°	<b>晨翔电子有限公司</b> <b>CONNELY ELECTRONIC CO. LTD</b>				
DRAWING TYPE		CUSTOMER						
SCALE		1:1						
DRAWING NO.				C-DS1095-XXRX-B				

**晨翔电子有限公司**  
**CONNELY ELECTRONIC CO. LTD**

1 2 3 4 5 6 7 8