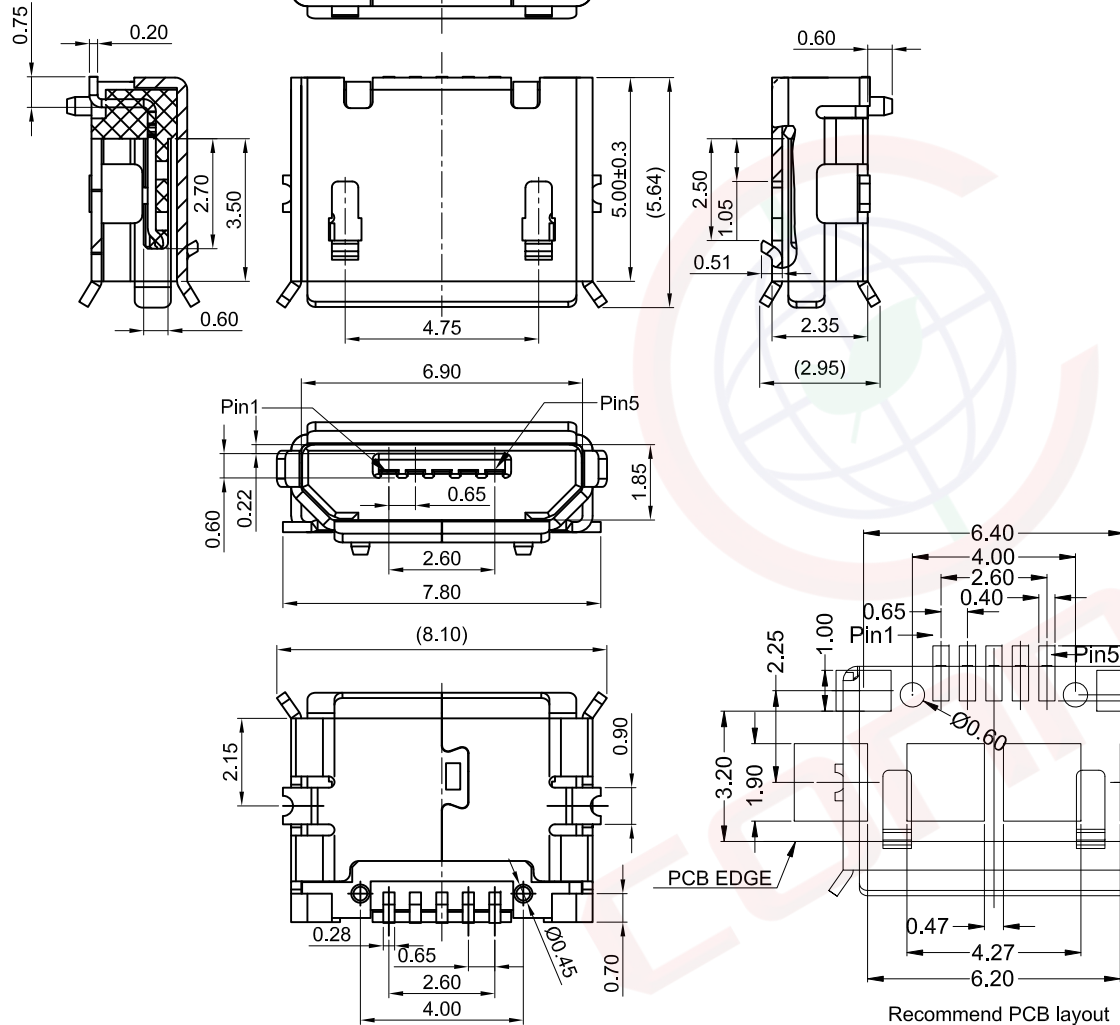


The information provided herein is from CONNELY Electronic Co., Ltd. and is confidential. Any disclosure to a party other than the recipient is prohibited. The intellectual properties and its rights contained herein, including but not limited to, trademarks, patents, copyrights, trade secrets, and technical know-how, are owned exclusively by CONNELY or its affiliates. Unauthorized use of this information in any format or manner. CONNELY may enforce its intellectual property rights at its own discretion; failures or delays to exercise such rights does not constitute a waiver of such rights.

1 2 3 4 5 6 7 8

Dept	Qty
DC	1
ED	1
IE	1
ISO	1
PD	1
R&D	1
SD	1
QA	1
QC	1
QE	1

REV.	DESCRIPTION	DRAWN	CHECKED	APPROVED
A	NEW RELEASE	JLZ 04/09/15'		
B	DRAWING UPDATE	JLZ 07/06/18'		
C	DRAWING UPDATE	JLZ 08/15/24'		



Notes:

Specifications:

- Contact Resistance: 50mΩ Max.
- Insulation Resistance: 100MΩ Min.
- Dielectric Withstanding Voltage: 100V AC(rms) For 1 Minute.
- Current Rating: 1.8A Max
- Temperature: -30°C~+80°C.

Materials:

- Contact Material: Copper Alloy.
- Shell Material: Copper Alloy.
- Insulator Material: Thermoplastic, Black.

Mechanical Characteristics:

- Mating Force: 3.57Kgf Max.
- Unmating Force: 1.0Kgf Min.
- Durability: 5000 Cycles

Product Number Code:

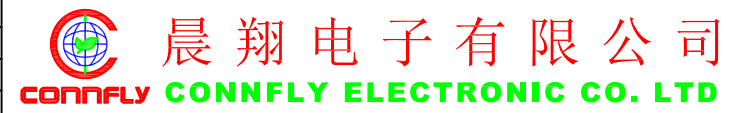
DS1105-06 - X X X X X

Post support:
 X: W/O Post
 S: W/ Post
 Packing type:
 R: Tape on reel
 Contact plated:
 0: Selective Gold Flash
 Shell Plated:
 6: Tin
 Color of housing:
 B: Black



(Series Image-Reference Only)

GENERAL TOLERANCE		ANGLE TOLERANCE		PROJECTION		TITLE	Micro USB Female 5 Positions SMT
X.	±0.60	X.	±5°	UNITS	mm		Type L=5.6mm
.X	±0.38	.X	±3°	SHEET SIZE	A4	SERIES	DS1105-06 SERIES
.XX	±0.25	.XX	±2°				
DRAWING TYPE		CUSTOMER					
SCALE		1:1		SHEET		1 OF 1	
DRAWING NO.		C-DS1105-06-XXXXXXX-C					



1 2 3 4 5 6 7 8