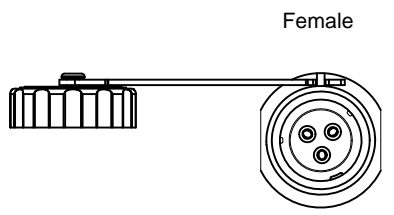
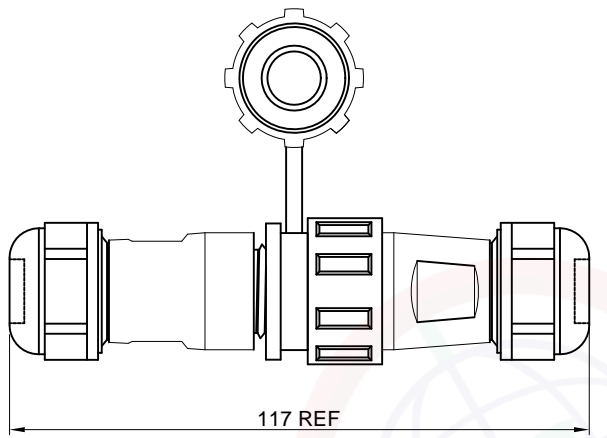
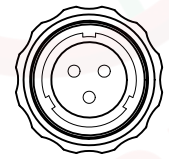


Dept	
Qty	
DC	1
ED	1
IE	1
ISO	1
PD	1
R&D	1
SD	1
QA	1
QC	1
QE	1

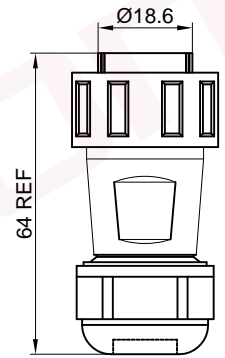
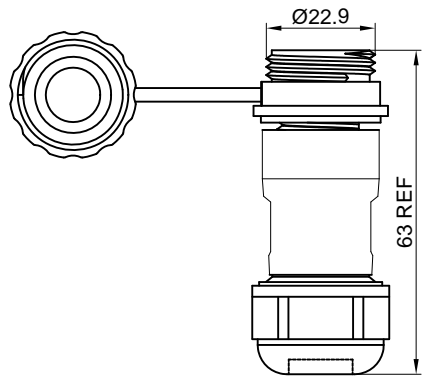
The information provided herein is from CONNELY Electronic Co., Ltd. and is confidential. Any disclosure to a party other than the recipient is prohibited. The intellectual properties and its rights contained herein, including but not limited to, trademarks, patents, copyrights, trade secrets, and technical know-how, are owned exclusively by CONNELY or its affiliates. Unauthorized use or reproduction of any part of this document is strictly prohibited. CONNELY may enforce its intellectual property rights at its own discretion, failures or delays to exercise such rights does not constitute a waiver of such rights.



Female



Male



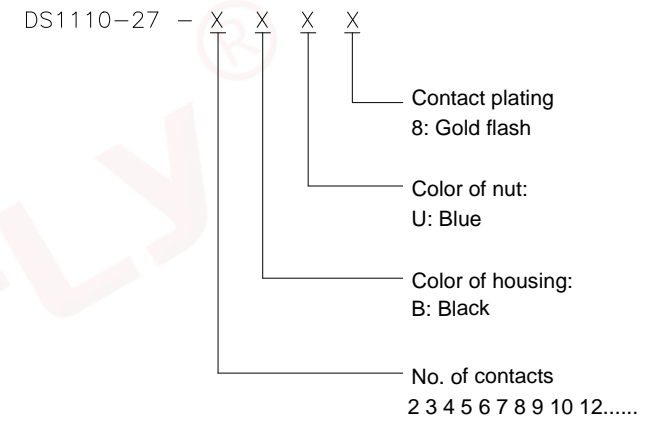
REV.	DESCRIPTION	DRAWN	CHECKED	APPROVED
A	NEW RELEASE	JLZ 06/07/17'	HZW 06/07/17'	LJC 06/07/17'
B	DRAWING UPDATE	JLZ 12/26/19'		

NOTES:

1.SPECIFICATION

- .CURRENT RATING: 3A-5A Max.
- .DIELECTRIC WITH STANDING VOLTAGE: 500V(AC)
- .CONTACT RESISTANCE: 50mΩ Max.
- .INSULATION RESISTANCE: 1000MΩ(DC)Min


2.PRODUCT NUMBER CODE:



GENERAL TOLERANCE		ANGLE TOLERANCE	
X.	±0.60	X.	±5°
.X	±0.38	.X	±3°
.XX	±0.25	.XX	±2°

DRAWING TYPE	CUSTOMER		
SCALE	1:1	SHEET	1 OF 1
DRAWING NO.	C-DS1110-27-XXXX-B		

PROJECTION		TITLE	ø21 Water Proof Wire to Wire Series	
UNITS	mm			
SHEET SIZE	A4	SERIES	DS1110-27 SERIES	



**晨翔电子有限公司**  
CONNFLY CONNELY ELECTRONIC CO. LTD