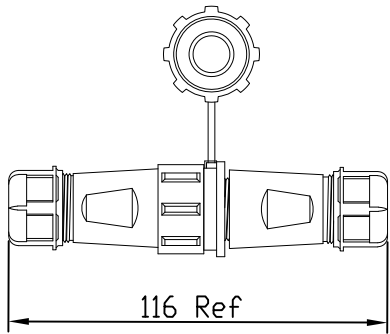
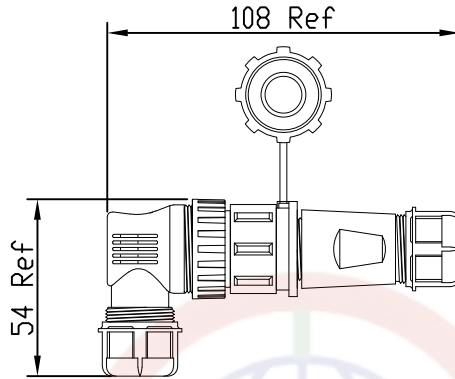


The information provided herein is from CONNFLY Electronic Co., Ltd. and is confidential. Any disclosure to a party other than the recipient is prohibited. The intellectual properties and its rights of CONNFLY Electronic Co., Ltd. are strictly protected. All intellectual properties provided herein are for reference purposes only and does not constitute authorization of its use in any format or manner. CONNFLY may enforce its intellectual property rights at its own discretion; failures or delays to exercise such rights does not constitute a waiver of such rights.

Assembly

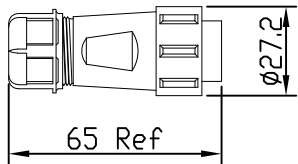


Assembly V/T type

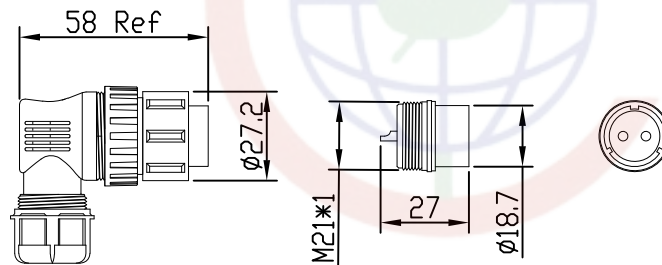


Assembly Right Angle

Male

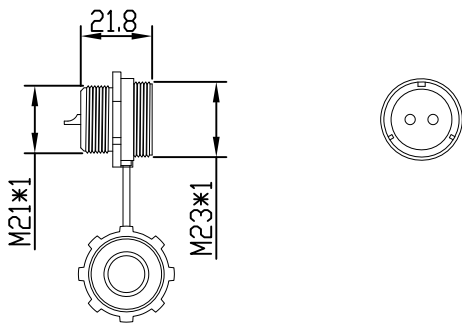


Male V/T type



Male Right Angle

Female



REV.	DESCRIPTION	DRAWN	CHECKED	APPROVED
A	NEW RELEASE	WPY 10/08/24'		

Suitable for $\phi 4-7$ $\phi 5-9$ $\phi 8-12$ wires

Note:

1. Rated voltage: 400V-500V
2. Rated current: 5A-30A
3. Insulation resistance: 2000M Ω
4. Withstand voltage: 1200V-1500V
5. Operating temperature: -30 $^{\circ}$ C to +90 $^{\circ}$ C
6. Wiring method: Welding

Materials:

1. Shell material: PA66
2. Insulation material: PPS
High temperature resistance 260 $^{\circ}$ C
3. Contact material: Copper gold plating

Product Number Code:

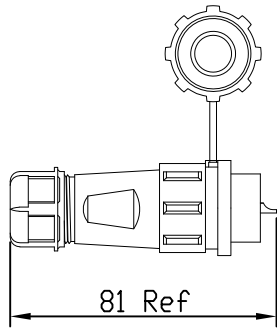
DS1110-58-X X X X X X

- Mounting type
- R:R/A type V:V/T type
- Install Type
- A:A Type
- Contact Plating
- 8:Gold flash
- Color of nut
- U:Blue
- Color of housing
- B:Black
- No. of Contacts
- 2 3 4 5 5C 7 9 12

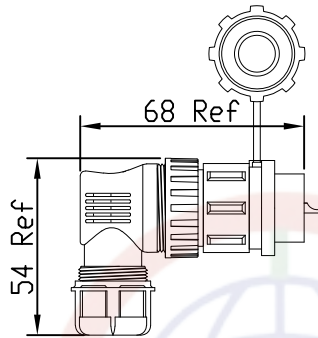
GENERAL TOLERANCE		ANGLE TOLERANCE		PROJECTION	TITLE
X.	± 0.60	X.	$\pm 5^{\circ}$		$\phi 21$ waterproof aviation plug
.X	± 0.38	.X	$\pm 3^{\circ}$	mm	docking type
.XX	± 0.25	.XX	$\pm 2^{\circ}$	A4	SERIES DS1110-58 Series
DRAWING TYPE		CUSTOMER		晨翔电子有限公司 CONNFLY CONNFLY ELECTRONIC CO. LTD	
SCALE		1:1	SHEET 1 OF 5		
DRAWING NO.		C-DS1110-58-XXXXXX-A			

The information provided herein is from CONNFLY Electronic Co., Ltd. and is confidential. Any disclosure to a party other than the recipient is prohibited. The intellectual properties and its rights of CONNFLY Electronic Co., Ltd. are strictly protected. All intellectual properties provided herein are for reference purposes only and does not constitute authorization of its use in any format or manner. CONNFLY may enforce its intellectual property rights at its own discretion; failures or delays to exercise such rights does not constitute a waiver of such rights.

Assembly

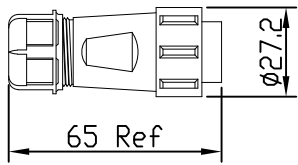


Assembly V/T type

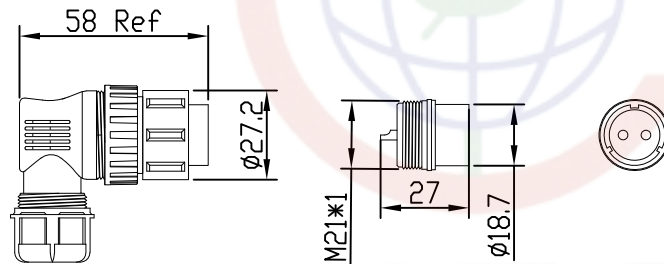


Assembly Right Angle

Male

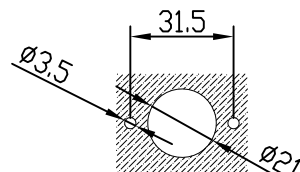
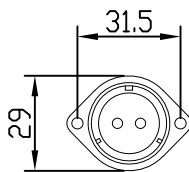
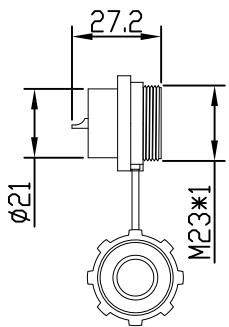


Male V/T type



Male Right Angle

Female



Suggested Panel Opening

REV.	DESCRIPTION	DRAWN	CHECKED	APPROVED
A	NEW RELEASE	WPY 10/08/24'		

Suitable for $\phi 4-7$ $\phi 5-9$ $\phi 8-12$ wires

Note:

1. Rated voltage: 400V-500V
2. Rated current: 5A-30A
3. Insulation resistance: 2000M Ω
4. Withstand voltage: 1200V-1500V
5. Operating temperature: -30°C to +90°C
6. Wiring method: Welding

Materials:

1. Shell material: PA66
2. Insulation material: PPS
High temperature resistance 260°C
3. Contact material: Copper gold plating

Product Number Code:

DS1110-58-X X X X X X

- Mounting type
- R:R/A type V:V/T type
- Install Type
- B:B Type
- Contact Plating
- 8:Gold flash
- Color of nut
- U:Blue
- Color of housing
- B:Black
- No. of Contacts
- 2 3 4 5 5C 7 9 12

GENERAL TOLERANCE		ANGLE TOLERANCE	
X.	± 0.60	X.	$\pm 5^\circ$
.X	± 0.38	.X	$\pm 3^\circ$
.XX	± 0.25	.XX	$\pm 2^\circ$

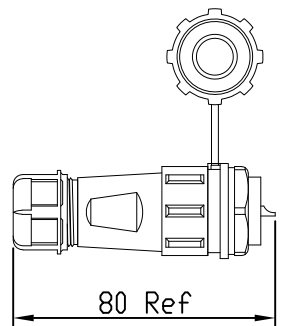
PROJECTION	TITLE
	$\phi 21$ waterproof aviation plug flange type
UNITS	mm
SHEET SIZE	A4
SERIES	DS1110-58 Series

DRAWING TYPE	CUSTOMER
SCALE	1:1 SHEET 2 OF 5
DRAWING NO.	C-DS1110-58-XXXXXX-A

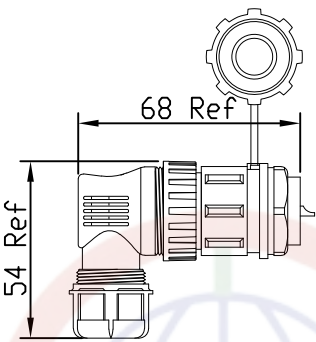
晨翔电子有限公司
CONNFLY CONNFLY ELECTRONIC CO. LTD

The information provided herein is from CONNFLY Electronic Co., Ltd. and is confidential. Any disclosure to a party other than the recipient is prohibited. The intellectual properties and its rights of CONNFLY Electronic Co., Ltd. are strictly protected. All intellectual properties provided herein are for reference purposes only and does not constitute authorization of its use in any format or manner. CONNFLY may enforce its intellectual property rights at its own discretion; failures or delays to exercise such rights does not constitute a waiver of such rights.

Assembly

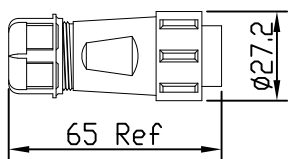


Assembly V/T type

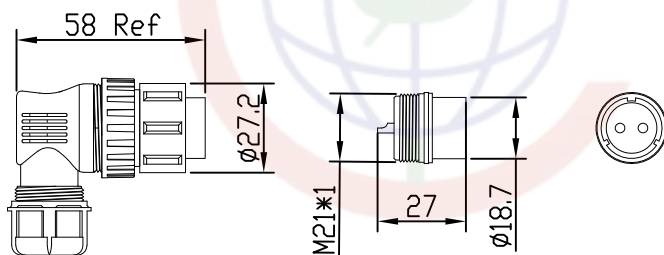


Assembly Right Angle

Male

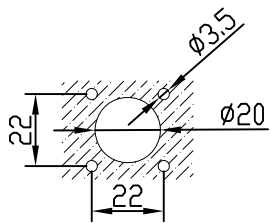
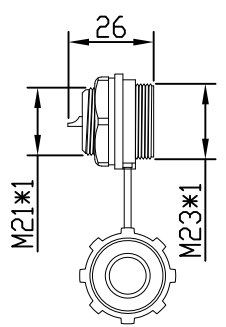


Male V/T type



Male Right Angle

Female



Suggested Panel Opening

REV.	DESCRIPTION	DRAWN	CHECKED	APPROVED
A	NEW RELEASE	WPY 10/08/24'		

Suitable for $\phi 4-7$ $\phi 5-9$ $\phi 8-12$ wires

Note:

1. Rated voltage: 400V-500V
2. Rated current: 5A-30A
3. Insulation resistance: 2000M Ω
4. Withstand voltage: 1200V-1500V
5. Operating temperature: -30 $^{\circ}$ C to +90 $^{\circ}$ C
6. Wiring method: Welding

Materials:

1. Shell material: PA66
2. Insulation material: PPS
High temperature resistance 260 $^{\circ}$ C
3. Contact material: Copper gold plating

Product Number Code:

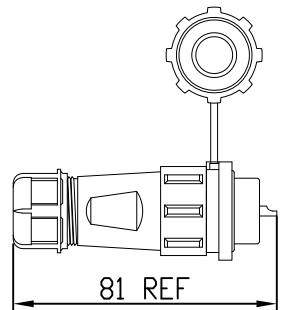
DS1110-58-X X X X X X

- Mounting type
- R:R/A type V:V/T type
- Install Type
- C:C Type
- Contact Plating
- 8:Gold flash
- Color of nut
- U:Blue
- Color of housing
- B:Black
- No. of Contacts
- 2 3 4 5 5C 7 9 12

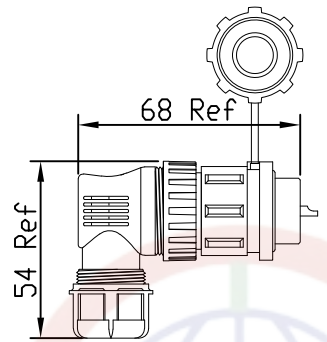
GENERAL TOLERANCE		ANGLE TOLERANCE		PROJECTION	TITLE
X.	± 0.60	X.	$\pm 5^{\circ}$		$\phi 21$ waterproof aviation plug
.X	± 0.38	.X	$\pm 3^{\circ}$	mm	rear nut type
.XX	± 0.25	.XX	$\pm 2^{\circ}$	A4	SERIES DS1110-58 Series
DRAWING TYPE		CUSTOMER		晨翔电子有限公司 CONNFLY CONNFLY ELECTRONIC CO. LTD	
SCALE		1:1	SHEET 3 OF 5		
DRAWING NO.		C-DS1110-58-XXXXXX-A			

The information provided herein is from CONNFLY Electronic Co., Ltd. and is confidential. Any disclosure to a party other than the recipient is prohibited. The intellectual properties and its rights of CONNFLY Electronic Co., Ltd. are strictly protected. All intellectual properties provided herein are for reference purposes only and does not constitute authorization of its use in any format or manner. CONNFLY may enforce its intellectual property rights at its own discretion; failures or delays to exercise such rights does not constitute a waiver of such rights.

Assembly

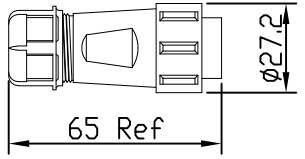


Assembly V/T type

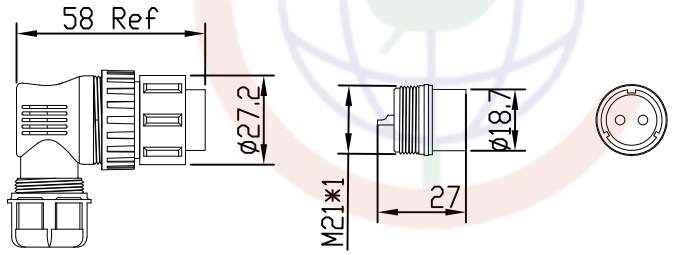


Assembly Right Angle

Male

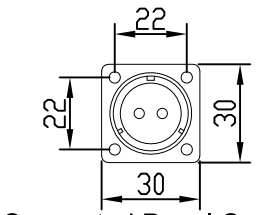
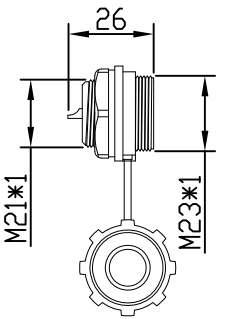


Male V/T type



Male Right Angle

Female



Suggested Panel Opening

REV.	DESCRIPTION	DRAWN	CHECKED	APPROVED
A	NEW RELEASE	WPY 10/08/24'		

Suitable for $\phi 4-7$ $\phi 5-9$ $\phi 8-12$ wires

Note:

1. Rated voltage: 400V-500V
2. Rated current: 5A-30A
3. Insulation resistance: 2000M Ω
4. Withstand voltage: 1200V-1500V
5. Operating temperature: -30 $^{\circ}$ C to +90 $^{\circ}$ C
6. Wiring method: Welding

Materials:

1. Shell material: PA66
2. Insulation material: PPS
High temperature resistance 260 $^{\circ}$ C
3. Contact material: Copper gold plating

Product Number Code:

DS1110-58-X X X X X X

- Mounting type
- R:R/A type V:V/T type
- Install Type
- D:D Type
- Contact Plating
- 8:Gold flash
- Color of nut
- U:Blue
- Color of housing
- B:Black
- No. of Contacts
- 2 3 4 5 5C 7 9 12

GENERAL TOLERANCE		ANGLE TOLERANCE		PROJECTION	TITLE
X.	± 0.60	X.	$\pm 5^{\circ}$		$\phi 21$ waterproof aviation plug
.X	± 0.38	.X	$\pm 3^{\circ}$	mm	square disc type
.XX	± 0.25	.XX	$\pm 2^{\circ}$	A4	DS1110-58 Series
DRAWING TYPE		CUSTOMER		晨翔电子有限公司 CONNFLY CONNFLY ELECTRONIC CO. LTD	
SCALE		1:1	SHEET 4 OF 5		
DRAWING NO.		C-DS1110-58-XXXXXX-A			

Dept
Qty

DC 1
ED 1
IE 1
ISO 1
PD 1
R&D 1
SD 1
QA 1
QC 1
QE 1

The information provided herein is from CONNPLY Electronic Co., Ltd. and is confidential. Any disclosure to a party other than the recipient is prohibited. The intellectual properties and its rights of CONNPLY Electronic Co., Ltd. are strictly protected without prior written consent from CONNPLY. All intellectual properties provided herein are for reference purposes only and does not constitute authorization of its use in any format or manner. CONNPLY may enforce its intellectual property rights at its own discretion; failures or delays to exercise such rights does not constitute a waiver of such rights.

REV.	DESCRIPTION	DRAWN	CHECKED	APPROVED
A	NEW RELEASE	WPY 10/08/24'		

Solder contact arrangement and spec

No.of Contacts	2	3	4	5	5C	7	9	12
Male contact face view								
Rated current (A)	30A	30A	30A	30A	15A	15A	5A	5A
Contact diameter	Ø3×2	Ø3×3	Ø3×4	Ø3×5	Ø2×5	Ø2×7	Ø1×9	Ø1×12
Wiring method	Welding							
Working Voltage (AC.V)	500V	500V	500V	500V	500V	500V	400V	400V
Testvoltage(AC.V)	1500V	1500V	1500V	1500V	1500V	1500V	1200V	1200V
Contact resistance(mΩ)	1mΩ	1mΩ	1mΩ	1mΩ	2.5mΩ	2.5mΩ	5mΩ	5mΩ
Wire Size (mm ² /AWG)	≤4/11	≤4/11	≤4/11	≤4/11	≤2/14	≤2/14	≤0.785/18	≤0.785/18

GENERAL TOLERANCE		ANGLE TOLERANCE	
X.	±0.60	X.	±5°
.X	±0.38	.X	±3°
.XX	±0.25	.XX	±2°
DRAWING TYPE		CUSTOMER	
SCALE	1:1	SHEET	5 OF 5
DRAWING NO.	C-DS1110-58-XXXXXX-A		

PROJECTION		TITLE	Ø21 Waterproof aviation plug solder series
UNITS	mm	SERIES	DS1110-58 Series
SHEET SIZE	A4		

晨翔电子有限公司
CONNPLY CONNPLY ELECTRONIC CO. LTD