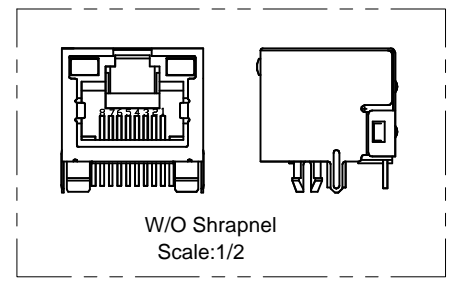
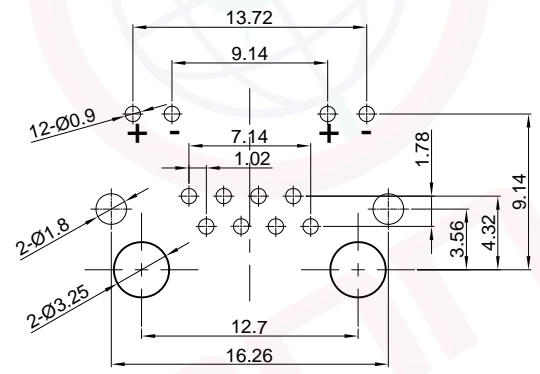
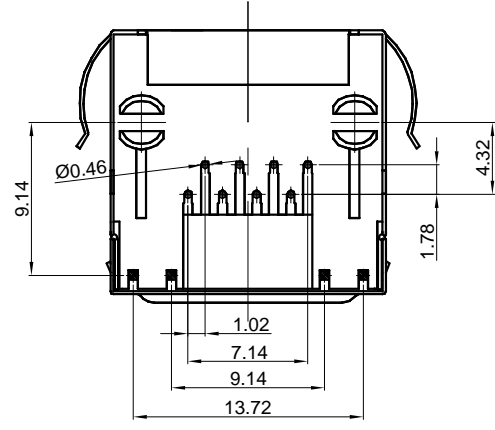
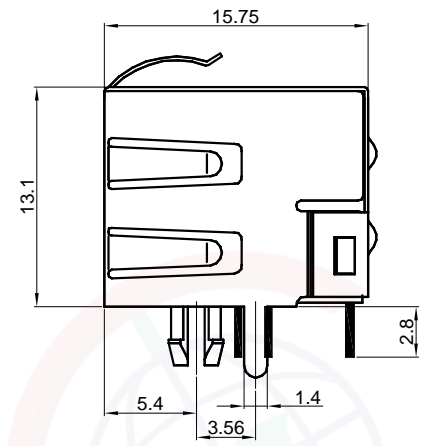
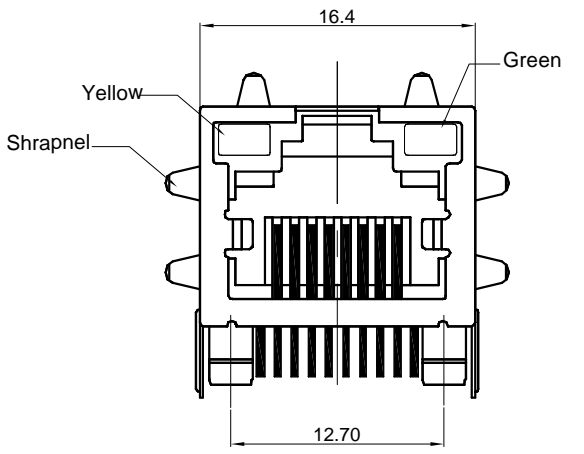


Dept	
Qty	
DC	1
ED	1
IE	1
ISO	1
PD	1
R&D	1
SD	1
QA	1
QC	1
QE	1

REV.	DESCRIPTION	DRAWN	CHECKED	APPROVED
A	NEW RELEASE	JLZ 10/28/16'	HZW 10/28/16'	LJC 10/28/16'
B	DRAWING UPDATE	JLZ 04/08/22'		



(Series Image-Reference Only)

Notes:

- Electrical Characteristics:
 - Contact Resistance: 20mΩ Max.
 - Dielectric Withstanding Voltage: 500V AC(rms) For 1 Minute.
 - Insulation Resistance: 1000MΩ Min.
 - Current Rating:1.5A.
 - Voltage Rating:150V AC rms.
- Environment Characteristics:
 - Temperature: -40°C~+85°C.
- Materials:
 - Contact Material: Copper Alloy.
 - Contact Plating: Gold Flash Over Nickel.
 - Insulator Materials: PBT,UL94-V0.
- Product Number Code:

DS1128-09 - X X X X - X

- Shell Type
- X:W/O Shrapnel
- S:W/ Shrapnel
- Contact Plating
- 8:Gold Flash
- Housing Color
- B:Black
- No.Of Contacts
- 8:8p8c
- Connector Type
- S:Socket

GENERAL TOLERANCE		ANGLE TOLERANCE	
X.	±0.60	X.	±5°
.X	±0.38	.X	±3°
.XX	±0.25	.XX	±2°
DRAWING TYPE		CUSTOMER	
SCALE	1:1	SHEET	1 OF 1
DRAWING NO.	C-DS1128-09-XXXX-X-B		

PROJECTION	TITLE
	PCB JACK 8P 1Port With LED
UNITS	mm
SHEET SIZE	A4
SERIES	DS1128-09 SERIES

晨翔电子有限公司
CONNFLY CONNFLY ELECTRONIC CO. LTD

The information provided herein is from CONNPLY Electronic Co., Ltd. and is confidential. Any disclosure to a party other than the recipient is prohibited. The intellectual properties and its rights contained herein, including but not limited to, trademarks, patents, copyrights, trade secrets, and technical know-how, are owned exclusively by CONNPLY or its affiliates. Unauthorized use or reproduction of any part of this document is strictly prohibited. CONNPLY reserves the right to make changes to this document without notice. CONNPLY may enforce its intellectual property rights at its own discretion, failures or delays to exercise such rights does not constitute a waiver of such rights.