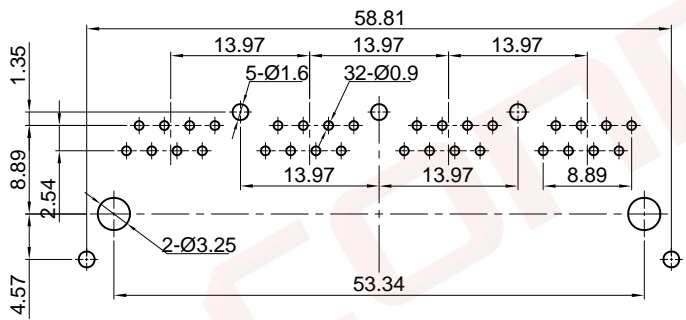
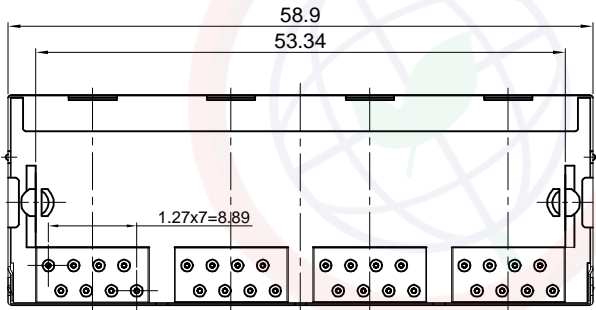
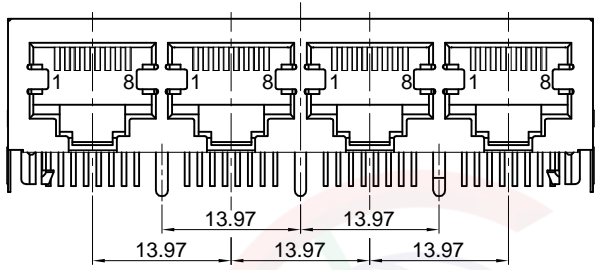
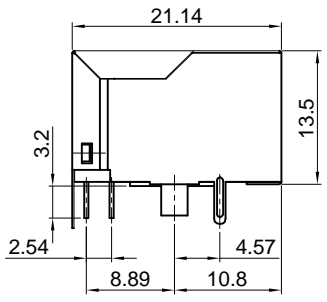


Dept	
Qty	
DC	1
ED	1
IE	1
ISO	1
PD	1
R&D	1
SD	1
QA	1
QC	1
QE	1

The information provided herein is from CONNELY Electronic Co., Ltd. and is confidential. Any disclosure to a party other than the recipient is prohibited. The intellectual properties and its rights contained herein, including but not limited to, trademarks, patents, copyrights, trade secrets, and technical know-how, are owned exclusively by CONNELY or its affiliates. Unauthorized use or reproduction of any part of this document is strictly prohibited. CONNELY may enforce its intellectual property rights at its own discretion, failures or delays to exercise such rights does not constitute a waiver of such rights.

REV.	DESCRIPTION	DRAWN	CHECKED	APPROVED
A	NEW RELEASE	YCH 05/06/10'		
B	DRAWING UPDATE	JLZ 03/23/23'		



Recommend PCB layout(Tolerance:±0.05)



(Series Image-Reference Only)

Notes:

- Electrical Characteristics:
  - Contact Resistance: 30mΩ Max.
  - Dielectric Withstanding Voltage: 500V AC(rms) For 1 Minute.
  - Insulation Resistance: 500MΩ Min.
  - Current Rating:1.5A.
  - Voltage Rating:125V AC rms.
- Environment Characteristics:
  - Temperature: -40°C~+85°C.
- Materials:
  - Contact Material: Copper Alloy.
  - Contact Plating: Gold Plating Over Nickel.
  - Insulator Materials:PBT or Nylon,UL94-V0.
- Product Number Code:

DS1129-02 - X X X X X

- Housing Materials  
P:PBT  
N:Nylon
- Housing Color  
B:Black  
Y:Yellow
- Contact Plating  
0:Gold Flash  
3>Selective 3u" Gold (6;15;30)Micro Inch
- No.Of Contacts  
8:8p8c
- Connector Type  
S:Socket

GENERAL TOLERANCE		ANGLE TOLERANCE		PROJECTION		TITLE	PCB JACK 8P 1*4Port 4.75mm PCB Layout	
X.	±0.60	X.	±5°	UNITS	mm			
.X	±0.38	.X	±3°	SHEET SIZE	A4	SERIES	DS1129-02 SERIES	
.XX	±0.25	.XX	±2°					
DRAWING TYPE		CUSTOMER			晨翔电子有限公司 CONNFLY ELECTRONIC CO. LTD			
SCALE		1:1	SHEET	1 OF 1				
DRAWING NO.		C-DS1129-02-XXXXX-B						