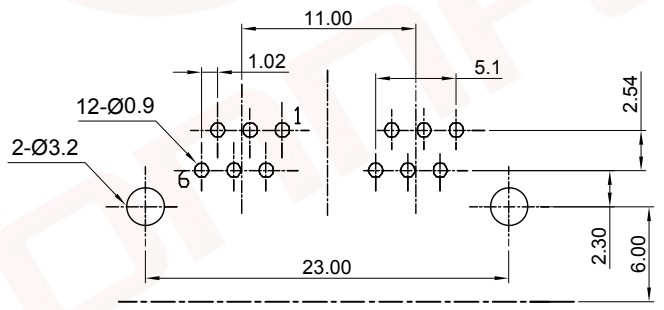
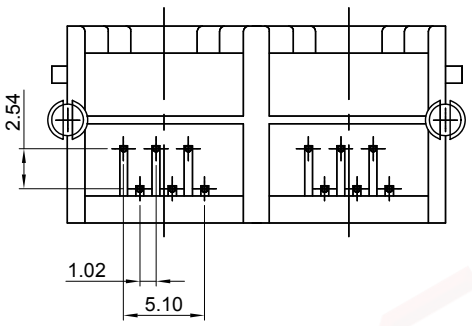
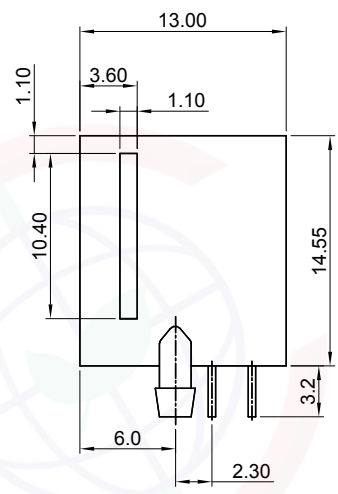
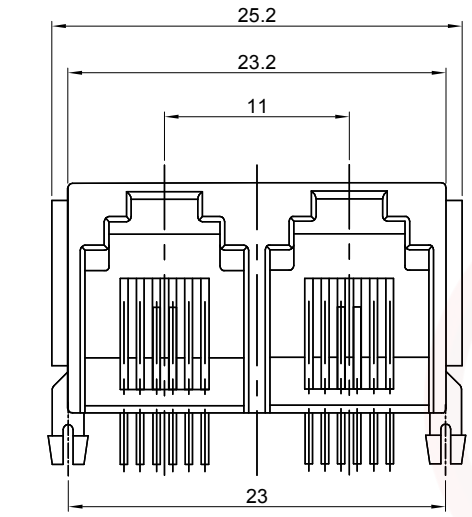


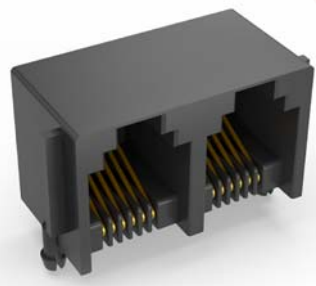
Dept	
Qty	
DC	1
ED	1
IE	1
ISO	1
PD	1
R&D	1
SD	1
QA	1
QC	1
QE	1

The information provided herein is from CONNELY Electronic Co., Ltd. and is confidential. Any disclosure to a party other than the recipient is prohibited. The intellectual properties and its rights contained herein, including but not limited to, trademarks, patents, copyrights, trade secrets, and technical know-how, are owned exclusively by CONNELY or its affiliates. Unauthorized use or reproduction of any part of this document is strictly prohibited. CONNELY may enforce its intellectual property rights at its own discretion, failures or delays to exercise such rights does not constitute a waiver of such rights.

REV.	DESCRIPTION	DRAWN	CHECKED	APPROVED
A	NEW RELEASE	JLZ 12/01/17'		
B	DRAWING UPDATE	JLZ 02/17/22'		



PCB Layout



(Series Image-Reference Only)

NOTES:

- Electrical characteristics:
 - Contact resistance: 20mΩ Max.
 - Dielectric withstanding voltage: 500V AC(rms) for 1 minute.
 - Insulation resistance: 1000MΩ Min.
 - Current rating:1.5A.
 - Voltage rating:125V AC RMS.
- Environment characteristics:
 - Temperature: -40°C~+70°C.
- Materials
 - Contact material: Copper alloy.
 - Contact plating: Gold plating over nickel.
 - Insulator materials: PBT or PA66,Black,UL94-V0.
- PRODUCT NUMBER CODE:

DS1133-13 - X X X X X X

- Ear Support
X:W/O Ear
S:W/ Ear
- Housing Materials
P:PBT
N:Nylon
- Contact Plating
8:Gold Flash
- Housing Color
A:Gray
B:Black
- No.Of Contacts
6:6P6C 4:6P4C 2:6P2C
- Connector Type
S:Socket

GENERAL TOLERANCE		ANGLE TOLERANCE	
X.	±0.60	X.	±5°
.X	±0.38	.X	±3°
.XX	±0.25	.XX	±2°
DRAWING TYPE		CUSTOMER	
SCALE	1:1	SHEET	1 OF 1
DRAWING NO.	C-DS1133-13-XXXXX-B		

PROJECTION		TITLE	
UNITS	mm	PCB Jack 6 Positions 1*2 Port W/O Shell	
SHEET SIZE	A4	SERIES	DS1133-13 SERIES

晨翔电子有限公司
CONNFLY CONNELY ELECTRONIC CO., LTD