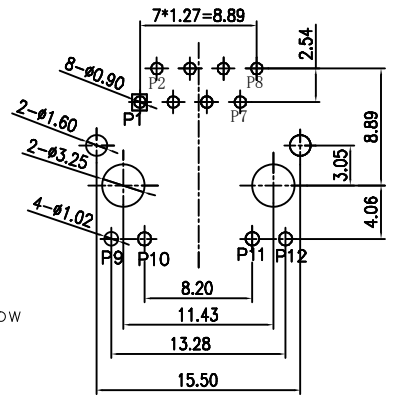
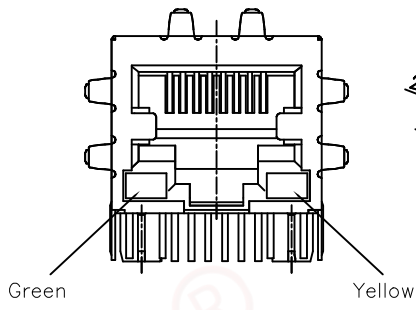
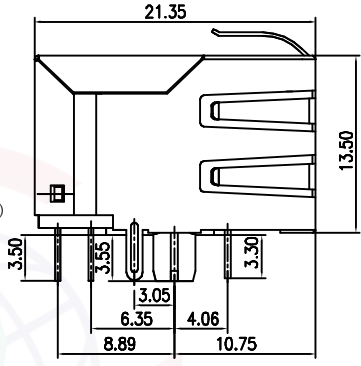
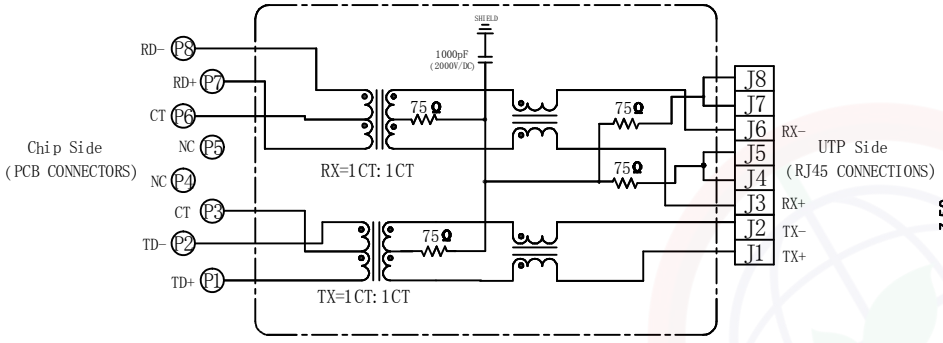
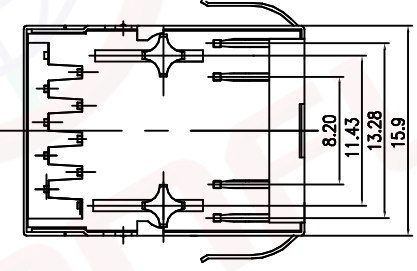


REV.	DESCRIPTION	DRAWN	CHECKED	APPROVED
A	NEW RELEASE	JLZ 11/22/16'	~	
B	DRAWING UPDATE	JLZ 12/22/21'	~	

Schematics:



RECOMMEND PCB LAYOUT



SPECIFICATION

- Insulation Resistance: 1000MΩ Min.
- Withstand Voltage: 500V, AC/Minute.
- Durability: 600 Cycles Min.
- Product Number Code:

DS1134-12-X X X X


- Housing Color
B: Black
- Contact Plating
L: Selective 6u" gold
5: Selective 15u" gold
- No. Of Contacts
8: 8p8c
- Connector Type
S: Socket

Electrical Specifications @25°C/65%RH

- Isolation Voltage: 1500V/AC (Chip Side to UTP Side)
- OCL: 350uH Minimum @100KHz 100mV with 8mA DC
- Insertion Loss: -1.1dB Maximum @100KHz-100MHz
-14dB Minimum @30MHz-60MHz
-12dB Minimum @60MHz-80MHz
- Return Loss: -18dB Minimum @1MHz-30MHz
-14dB Minimum @30MHz-60MHz
-12dB Minimum @60MHz-80MHz
- Common Mode Rejection: -40dB Minimum @1MHz-30MHz
-35dB Minimum @30MHz-60MHz
-30dB Minimum @60MHz-100MHz
- Cross Talk: -40dB Minimum @1MHz-30MHz
-35dB Minimum @30MHz-60MHz
-30dB Minimum @60MHz-80MHz

GENERAL TOLERANCE		ANGLE TOLERANCE	
X.	±0.60	X.	±5°
.X	±0.38	.X	±3°
.XX	±0.25	.XX	±2°
DRAWING TYPE		CUSTOMER	
SCALE		1:1	SHEET 1 OF 1
DRAWING NO.		C-DS1134-12-XXXX-B	

PROJECTION	TITLE
UNITS	PCB JACK 8P 1PORT W/ LED W/ Shell AFTER 3.05mm Type
SHEET SIZE	SERIES DS1134-12 SERIES


晨翔电子有限公司
CONNFLY CONNFLY ELECTRONIC CO. LTD