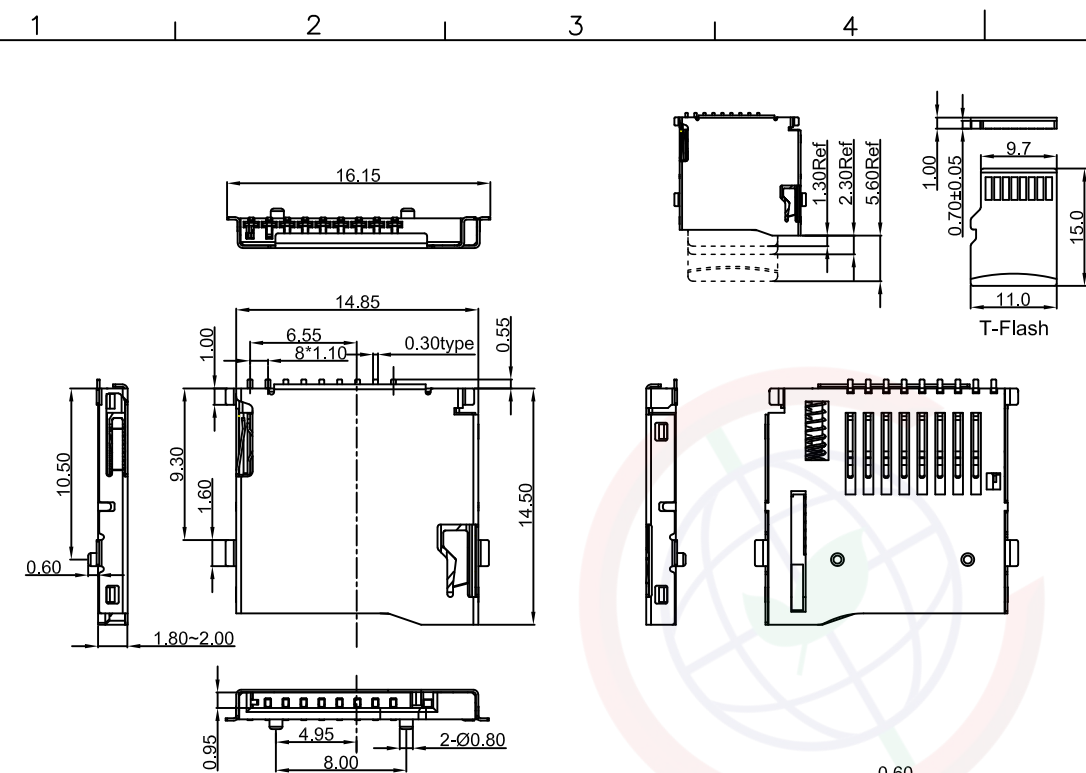


The information provided herein is from CONNELY Electronic Co., Ltd. and is confidential. Any disclosure to a party other than the recipient is prohibited. The intellectual properties and its rights contained herein, including but not limited to, trademarks, patents, copyrights, trade secrets, and technical know-how, are owned exclusively by CONNELY or its affiliates. Unauthorized use of this information in any format or manner. CONNELY may enforce its intellectual property rights at its own discretion; failures or delays to exercise such rights does not constitute a waiver of such rights.



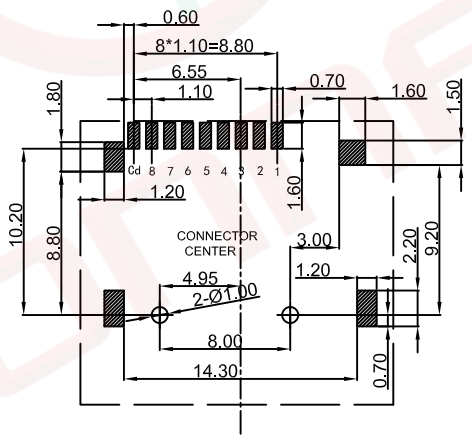
REV.	DESCRIPTION	DRAWN	CHECKED	APPROVED
A	NEW RELEASE	JLZ 12/06/16'		
B	DRAWING UPDATE	JLZ 01/06/24'		

- Notes:
- Material:
 - Housing: High Temperature UL 94V-0.
 - Contacts: Copper Alloy. Selective Gold Flash.
 - Shell:Stainless Steel.
 - Specifications:
 - Operate Temperature: -25°C~+85°C
 - Insulation Resistance: 500MΩ Min.
 - Contact Resistance: 100mΩ max.
 - Withstanding Voltage: 500V AC 1min.
 - Voltage Rating: 30V AC/DC
 - Current Rating: 0.5A
 - Product Number Code:

DS1139-10 - XX X X X X X X

- Packing Type
R: Tape On Reel
- Shell Materials
S: Stainless
- Housing color
B: Black
- Contact Plating
0: Selective gold flash
4: Selective 3u" gold
- Mounting type
S: SMT type
- Connector type
S: Socket
- No. of contacts
08:8pin

PIN NO.	NAME	YTYPE	DESCRIPTION
1	DAT2	I/O/PP	DATE LINE(BIT2)
2	CD/DAT3	I/O/PP	CARD DETECT DATE LIN(BIT3)
3	CMD	PP	COMMAND RESPONSE
4	VDD	S	SUPPLY VOLTAGE
5	CLX	I	CLOCK
6	VSS	S	SUPPLY VOLTAGE GROUND
7	DAT0	I/O/PP	DATE LINE(BIT0)
8	DAT1	I/O/PP	DATE LINE(DIT1)



Recommend PCB layout
(Tolerance:±0.05)



(Series Image-Reference Only)

GENERAL TOLERANCE		ANGLE TOLERANCE	
X.	±0.60	X.	±5°
.X	±0.38	.X	±3°
.XX	±0.25	.XX	±2°

DRAWING TYPE	CUSTOMER		
SCALE	1:1	SHEET	1 OF 1
DRAWING NO.	C-DS1139-10-XXXXXX-B		

PROJECTION	TITLE
	1.10mm Micro SD Card 8P
UNITS	SMT Type H=1.85mm
SHEET SIZE	SERIES DS1139-10 SERIES

晨翔电子有限公司
CONNELY CONNELY ELECTRONIC CO. LTD