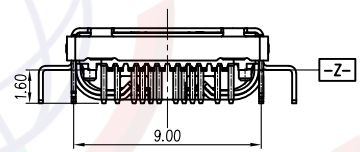
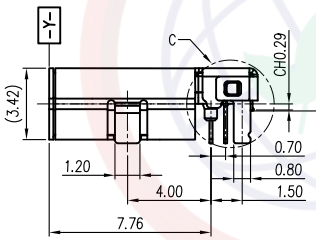
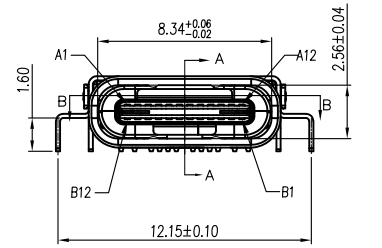
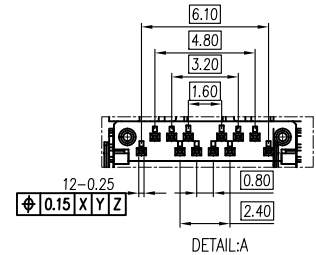
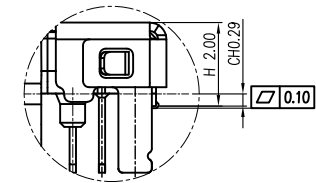
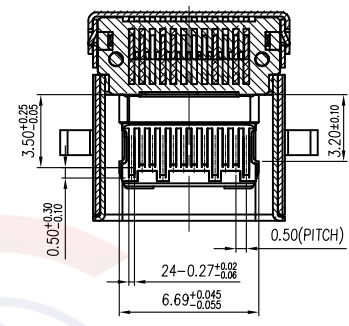
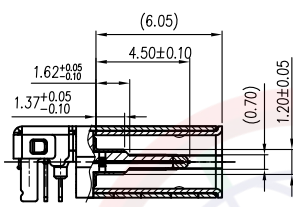
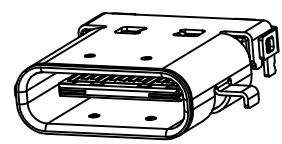
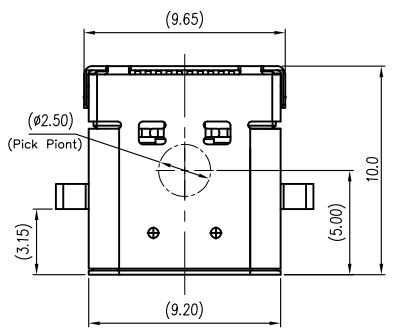


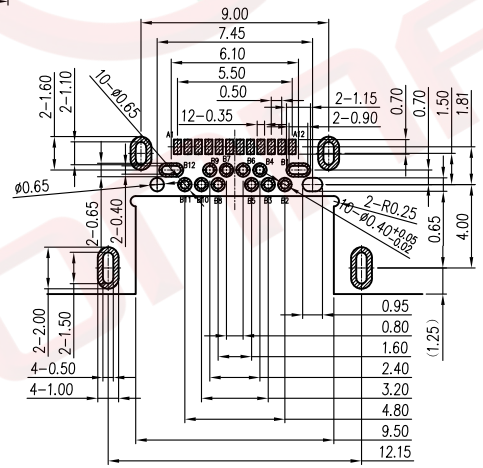
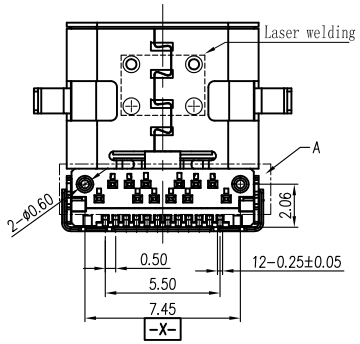
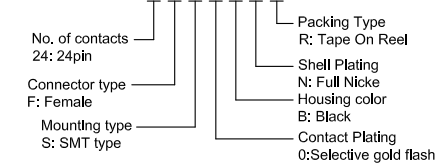
Dept	
Qty	
DC	1
ED	1
IE	1
ISO	1
PD	1
R&D	1
SD	1
QA	1
QC	1
QE	1

The information provided herein is from CONNLY Electronic Co., Ltd. and is confidential. Any disclosure to a party other than the recipient, including but not limited to, trademarks, patents, copyrights, trade secrets, and technical know-how, are owned exclusively by CONNLY or its affiliates. Unauthorized use or modification is strictly prohibited without prior written consent from CONNLY. All intellectual properties provided herein are for reference purposes only and does not constitute authorization of its use in any format or manner. CONNLY may enhance its intellectual property rights at its own discretion, failures or delays to exercise such rights does not constitute a waiver of such rights.

REV.	DESCRIPTION	DRAWN	CHECKED	APPROVED
A	NEW RELEASE	JLZ 01/18/21'		



- NOTE:
- MATERIAL:
 - INSULATOR: HIGH TEMPERATURE PLASTIC UL94 V-0;
 - CONTACT: COPPER ALLOY, GOLD/Matte Tin PLATED.
 - OUTER SHELL: STAINLESS STEEL, Nickel PLATED.
 - INNER SHELL: IRON MATERIAL, Nickel PLATED.
 - GROUND SHIELD: STAINLESS STEEL.
 - MID PLATE: STAINLESS STEEL.
 - ELECTRICAL CHARACTERISTICS:
 - CONTACT RESISTANCE: 40mΩ Max FOR INITIAL, 10mΩ CHANGE AFTER DURABILITY TEST
 - CONTACT CURRENT RATING: 5A
 - DIELECTRIC WITHSTANDING VOLTAGE: 100V AC R.M.S.
 - INSULATION RESISTANCE 100MΩ Min
 - OPERATING TEMPERATURE: -40°C ~ 85°C.
 - MECHANICAL CHARACTERISTICS:
 - MATING FORCE: 5~20 N.
 - UNMATED FORCE: INITIAL 8~20N; 6~20N AFTER DURABILITY TEST
 - DURABILITY: 10,000 CYCLES
 - Others: Accord with Rohs needs.
 - Product number code: DS1144-43 - X X X X X X X X



(Series Image-Reference Only)

A12	GND	B1	GND
A11	SSRXp2	B2	SSTXp2
A10	SSRXn2	B3	SSTXn2
A9	VBUS	B4	VBUS
A8	SBU1	B5	CC2
A7	Dn1	B6	Dp2
A6	Dp1	B7	Dn2
A5	CC1	B8	SBU2
A4	VBUS	B9	VBUS
A3	SSTXn1	B10	SSRXn1
A2	SSTXp1	B11	SSRXp1
A1	GND	B12	GND
Pin NO.	Signal name	Pin NO.	Signal name

GENERAL TOLERANCE	
X	±0.60
.X	±0.38
.XX	±0.25

ANGLE TOLERANCE	
X	±5°
.X	±3°
.XX	±2°

DRAWING TYPE	CUSTOMER
SCALE	1:1 SHEET 1 OF 1
DRAWING NO.	C-DS1144-43-XXXXX-A

PROJECTION		TITLE	USB C Type 24P Female SMT Type L=10.0mm
UNITS	mm		Centre-H=0.29mm
SHEET SIZE	A4	SERIES	DS1144-43 SERIES

晨翔电子有限公司
CONNFLY CONNFLY ELECTRONIC CO. LTD