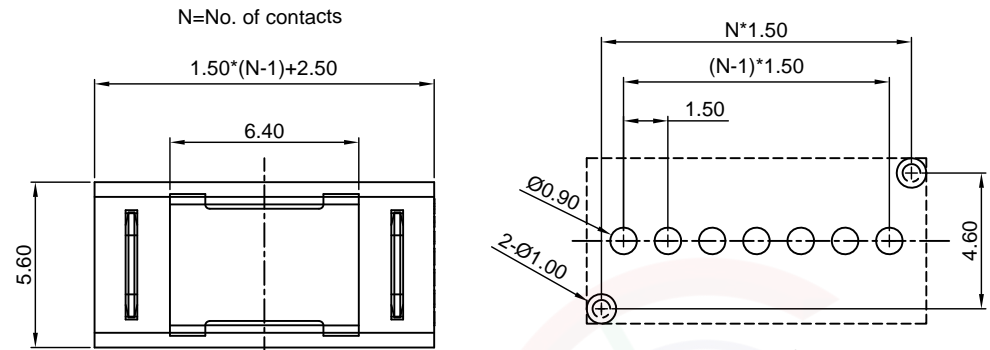
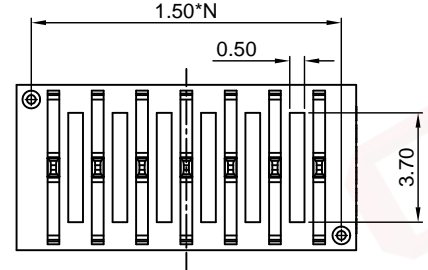
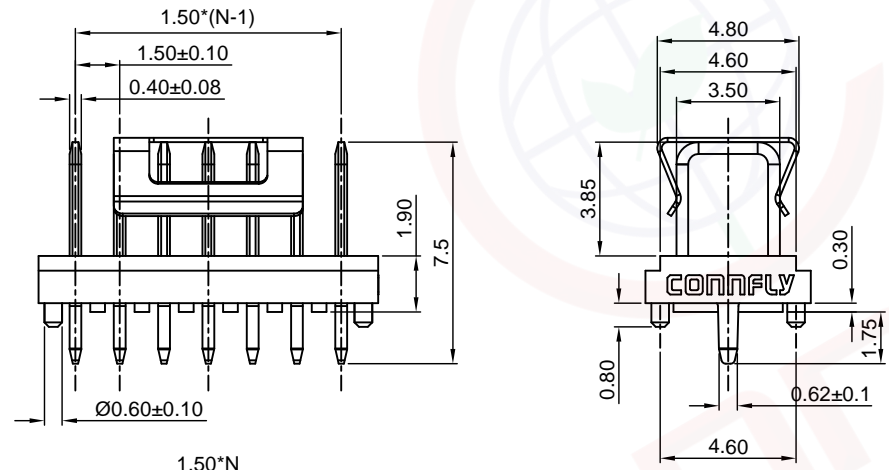


The information provided herein is from CONNPLY Electronic Co., Ltd. and is confidential. Any disclosure to a party other than the recipient is prohibited. The intellectual properties and its rights contained herein, including but not limited to, trademarks, patents, copyrights, trade secrets, and technical know-how, are owned exclusively by CONNPLY or its affiliates. Unauthorized use or reproduction of any part of this document is strictly prohibited. CONNPLY may enforce its intellectual property rights at its own discretion, failures or delays to exercise such rights does not constitute a waiver of such rights.

REV.	DESCRIPTION	DRAWN	CHECKED	APPROVED
A	NEW RELEASE	Kevin 06/20/17'		
B	DRAWING UPDATE	JLZ 07/12/22'		



Recommend PCB layout
Tolerance:±0.05mm



(Series Image-Reference Only)

Notes:

Specifications:

- Contact Resistance: 20mΩ Max.
- Insulation Resistance: 250MΩ Min.
- Dielectric Withstanding Voltage: 250V AC(rms) For 1 Minute.
- Current Rating:0.5A @ 24V.
- Temperature: -40°C~+105°C.

Materials:

- Contact Material: Copper Alloy.
- Contact Plating: Gold Plating Over Nickel.
- Insulator Material: High-temp,Black,UL94-V0.

Product Number Code:

DS1149-01 - X X X X X X

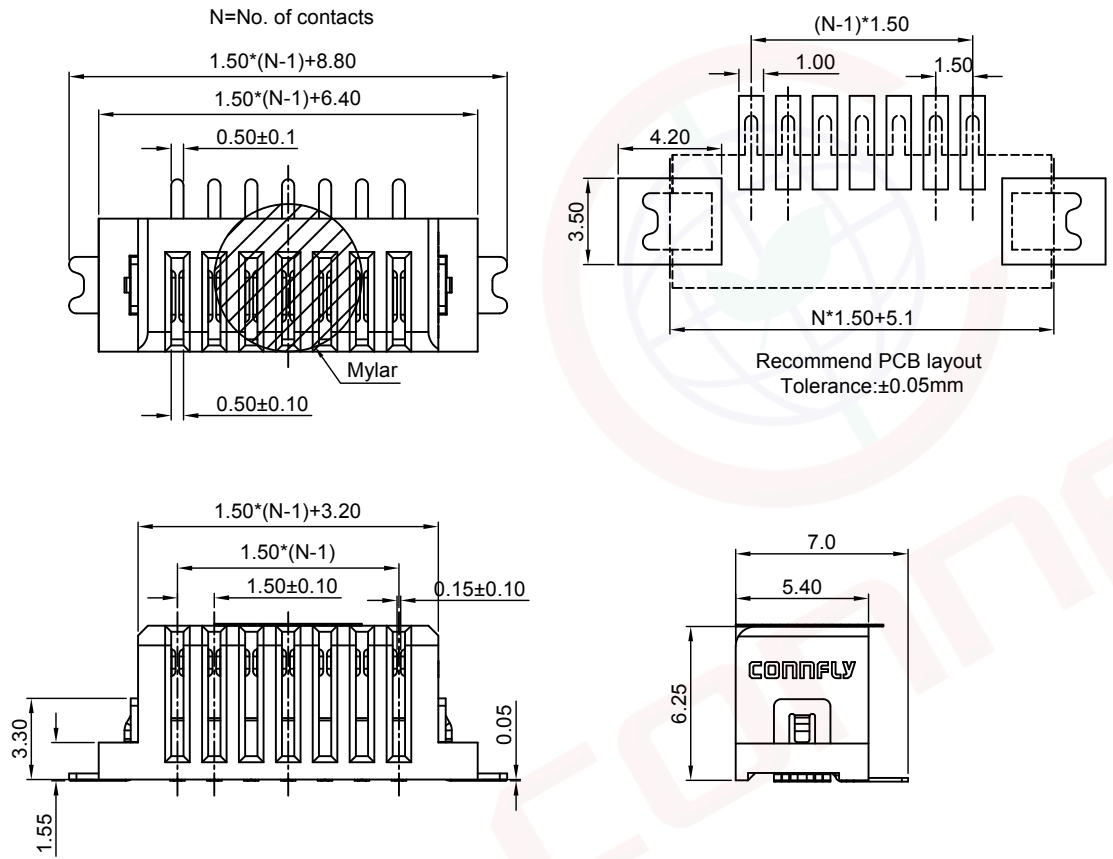
- Packing Type
A: Ploybag
R: Tape on reel
- Housing color
B: Black
- Contact Plating
C: Full 3u" gold
- Mounting type
V: Vertical Through
- Connector type
P: Plug
- No. of contacts
02~12: 02~12Pin

GENERAL TOLERANCE		ANGLE TOLERANCE		PROJECTION	TITLE
X.	±0.60	X.	±5°		1.50mm Battery Connector
.X	±0.38	.X	±3°	mm	V/T Type Male H=1.90mm
.XX	±0.25	.XX	±2°	A4	DS1149-01 SERIES
DRAWING TYPE		CUSTOMER		晨翔电子有限公司 CONNPLY ELECTRONIC CO. LTD	
SCALE		1:1			
DRAWING NO.		C-DS1149-01-XPXXXX-A			

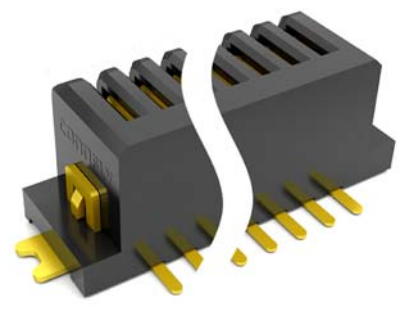
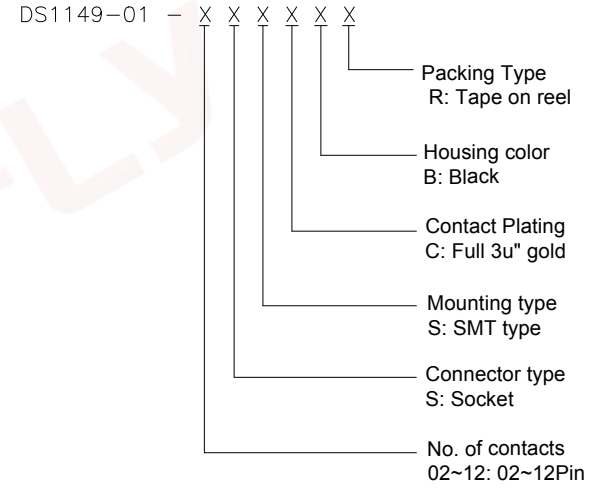
Dept	
Qty	
DC	1
ED	1
IE	1
ISO	1
PD	1
R&D	1
SD	1
QA	1
QC	1
QF	1

The information provided herein is from CONNPLY Electronic Co., Ltd. and is confidential. Any disclosure to a party other than the recipient is prohibited. The intellectual properties and its rights contained herein, including but not limited to, trademarks, patents, copyrights, trade secrets, and technical know-how, are owned exclusively by CONNPLY or its affiliates. Unauthorized use or reproduction of any part of this document is strictly prohibited. CONNPLY may enforce its intellectual property rights at its own discretion, failures or delays in exercising such rights does not constitute a waiver of such rights.

REV.	DESCRIPTION	DRAWN	CHECKED	APPROVED
A	NEW RELEASE	Kevin 06/20/17'		
B	DRAWING UPDATE	JLZ 07/12/22'		



- Notes:
- Specifications:
- Contact Resistance: 20mΩ Max.
 - Insulation Resistance: 250MΩ Min.
 - Dielectric Withstanding Voltage: 250V AC(rms) For 1 Minute.
 - Current Rating: 0.5A @ 24V.
 - Temperature: -40°C~+105°C.
- Materials:
- Contact Material: Copper Alloy.
 - Contact Plating: Gold Plating Over Nickel.
 - Insulator Material: High-temp, Black, UL94-V0.
- Product Number Code:



(Series Image-Reference Only)

GENERAL TOLERANCE		ANGLE TOLERANCE		PROJECTION		TITLE	1.50mm Battery Connector Female	
X.	±0.60	X.	±5°	UNITS	mm	SMT Type H=6.25mm		
.X	±0.38	.X	±3°	SHEET SIZE	A4	SERIES	DS1149-01 SERIES	
.XX	±0.25	.XX	±2°	晨翔电子有限公司 CONNPLY CONNPLY ELECTRONIC CO. LTD				
DRAWING TYPE		CUSTOMER						
SCALE	1:1	SHEET	2 OF 2					
DRAWING NO.		C-DS1149-01-XSXXX-A						