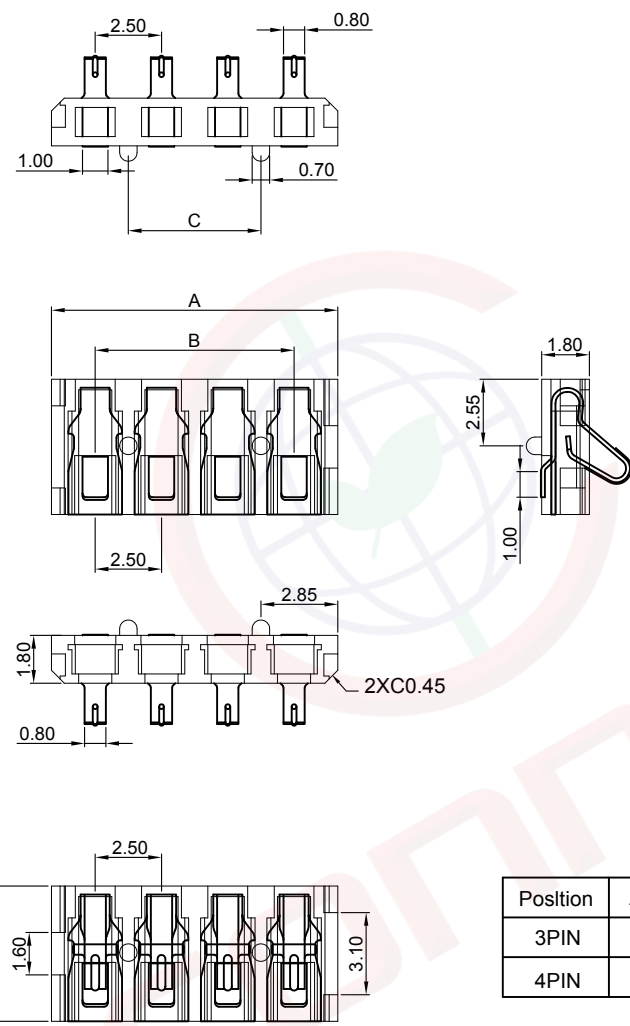


Dept	Qty
DC	1
ED	1
IE	1
ISO	1
PD	1
R&D	1
SD	1
QA	1
QC	1
QE	1

The information provided herein is from CONNELY Electronic Co., Ltd. and is confidential. Any disclosure to a party other than the recipient is prohibited. The intellectual properties and its rights contained herein, including but not limited to, trademarks, patents, copyrights, trade secrets, and technical know-how, are owned exclusively by CONNELY or its affiliates. Unauthorized use or reproduction of any part of this document is strictly prohibited. CONNELY may enforce its intellectual property rights at its own discretion, failures or delays to exercise such rights does not constitute a waiver of such rights.



Position	A±0.20	B±0.10	C±0.10
3PIN	8.20	5.00	2.50
4PIN	10.70	7.50	5.00



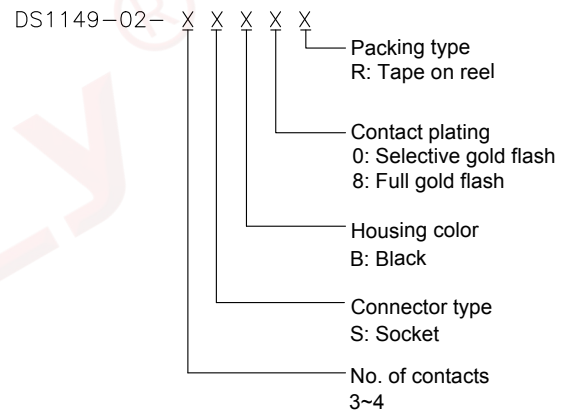
(Series Image-Reference Only)

REV.	DESCRIPTION	DRAWN	CHECKED	APPROVED
A	NEW RELEASE	JLZ 09/11/20'		

NOTES:

- Materials
  - 1.1 Insulator: High temp, Black.
  - 1.2 Contact: Copper alloy.
- Specification
  - 2.1 Temperature: -40°C~+105°C.
  - 2.2 Contact resistance: 20mΩ max.
  - 2.3 Insulation resistance: 500MΩ min.
  - 2.4 Dielectric withstanding voltage: AC 250V per minute.

3. Product number code:



GENERAL TOLERANCE		ANGLE TOLERANCE		PROJECTION		TITLE	
X.	±0.60	X.	±5°	UNITS	mm	2.50mm Battery Holder(3~4P)	
.X	±0.38	.X	±3°	SHEET SIZE	A4	SERIES	DS1149-02 SERIES
.XX	±0.25	.XX	±2°	晨翔电子有限公司 CONNFLY CONNELY ELECTRONIC CO. LTD			
DRAWING TYPE		CUSTOMER					
SCALE		1:1					
DRAWING NO.		C-DS1149-02-XXXXX-A		SHEET		1 OF 1	