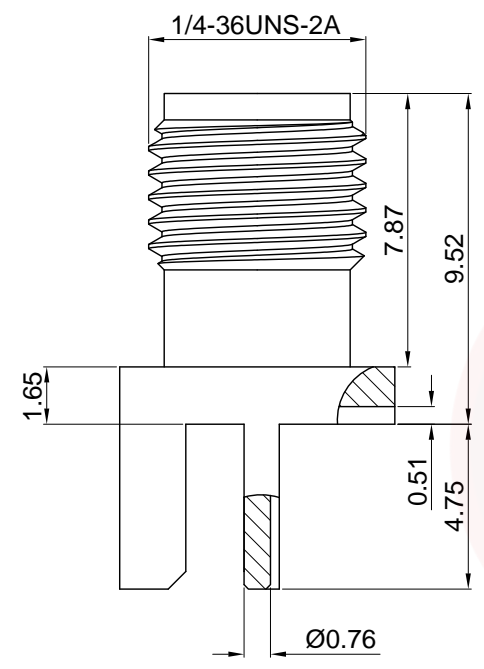
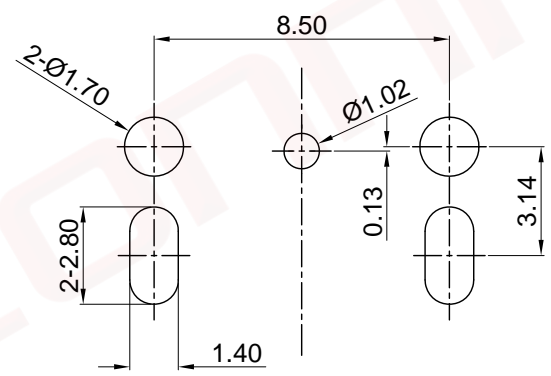
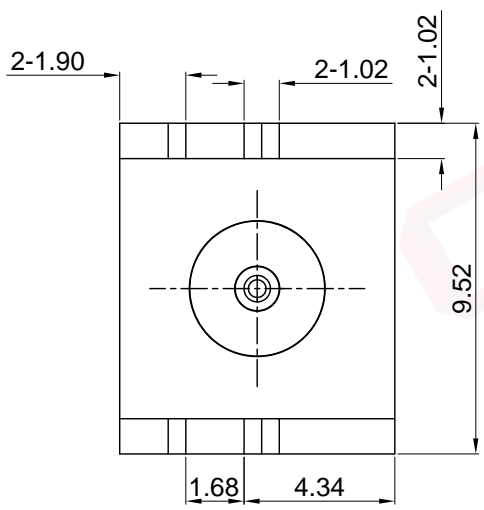


The information provided herein is from CONNPLY Electronic Co., Ltd. and is confidential. Any disclosure to a party other than the recipient is prohibited. The intellectual properties and its rights of CONNPLY Electronic Co., Ltd. are reserved. This drawing is for reference only and does not constitute authorization of its use in any format or manner. CONNPLY may enforce its intellectual property rights at its own discretion; failures or delays to exercise such rights does not constitute a waiver of such rights.

REV.	DESCRIPTION	DRAWN	CHECKED	APPROVED
A	NEW RELEASE	JLZ 04/12/22'		

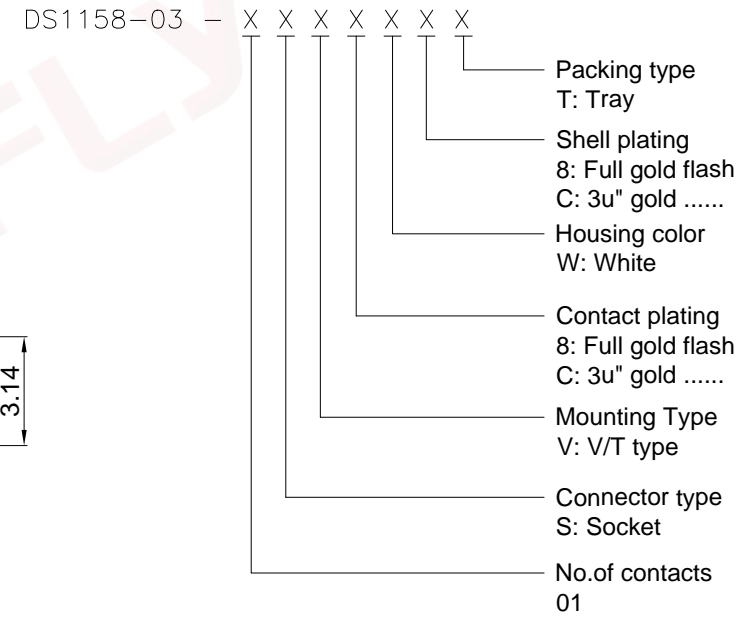


(Series Image-Reference Only)



Recommend PCB Layout  
Tolerance=±0.05mm

- Notes:
- Materials:
    - Contact: Copper Alloy, Full Gold Flash Plated.
    - Shell: Copper Alloy, Full Gold Flash Plated.
    - Insulator: PTFE, White.
  - Specifications:
    - Contact Resistance: 10mΩ max.
    - Insulation Resistance: 100MΩ min.
    - Dielectric Withstanding Voltage: 500V min.
    - Temperature Range: -40~+125°C.
    - Impedance: 50Ω.
    - Operating Cycles: 300 Cycles min.
  - Product Number Code:



GENERAL TOLERANCE		ANGLE TOLERANCE		PROJECTION		TITLE	SMA Connector Socket Vertical Through Type L=14.27mm	
X.	±0.60	X.	±5°	UNITS	mm			
.X	±0.38	.X	±3°	SHEET SIZE	A4	SERIES	DS1158-03 SERIES	
.XX	±0.25	.XX	±2°	<b>晨翔电子有限公司</b> <b>CONNPLY ELECTRONIC CO., LTD</b>				
DRAWING TYPE		CUSTOMER						
SCALE	1:1	SHEET	1 OF 1					
DRAWING NO.		C-DS1158-03-XXXXXX-A						