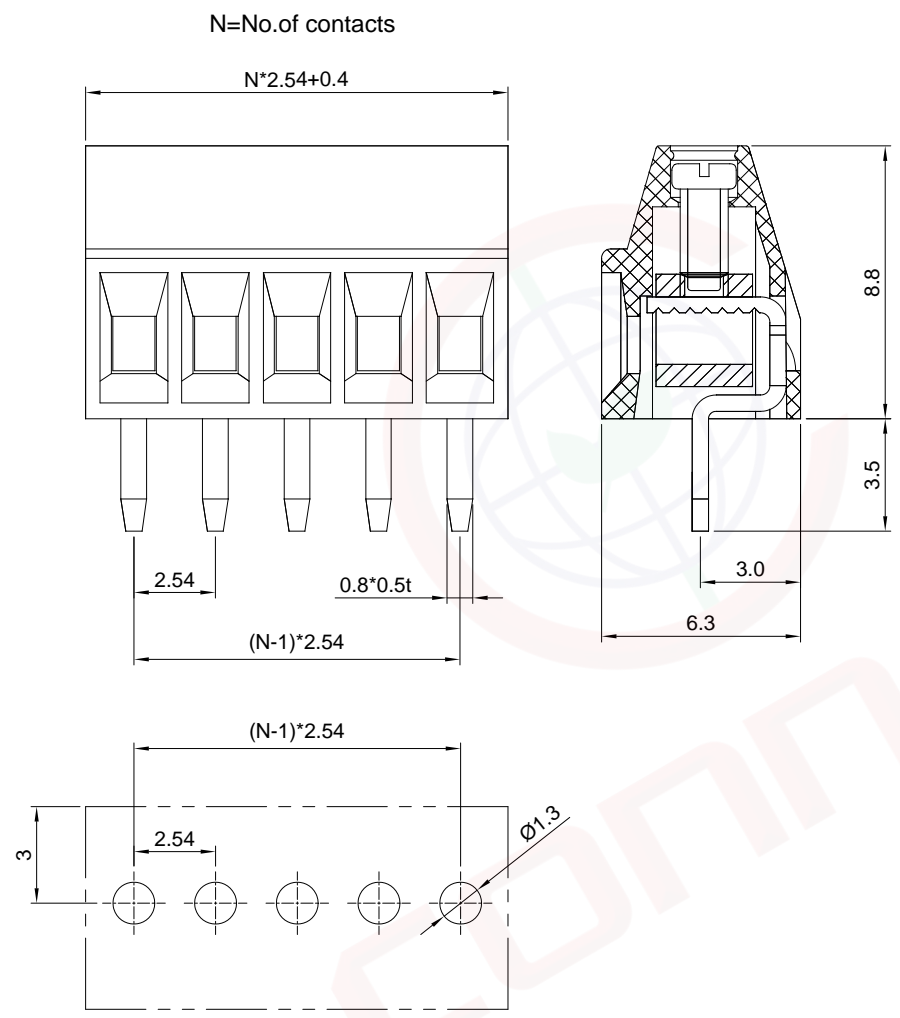
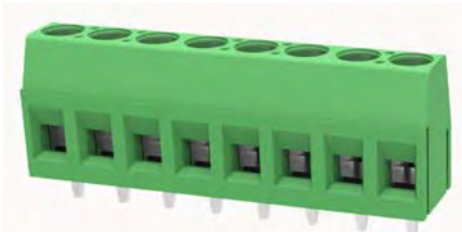


Dept	
Qty	
DC	1
ED	1
IE	1
ISO	1
PD	1
R&D	1
SD	1
QA	1
QC	1
QF	1

The information provided herein is from CONNELY Electronic Co., Ltd. and is confidential. Any disclosure to a party other than the recipient is prohibited. The intellectual properties and its rights contained herein, including but not limited to, trademarks, patents, copyrights, trade secrets, and technical know-how, are owned exclusively by CONNELY or its affiliates. Unauthorized use or reproduction of any part of this document is strictly prohibited. CONNELY may enforce its intellectual property rights at its own discretion, failures or delays to exercise such rights does not constitute a waiver of such rights.



Recommend PCB layout
(Tolerance: ± 0.05)



(Series Image-Reference Only)

REV.	DESCRIPTION	DRAWN	CHECKED	APPROVED
A	NEW RELEASE	JLZ 01/29/21'		

NOTES:

Standard UL
 Rated voltage:150V
 Rated current:6A
 Wrth standing voltage:AC1250V/1 Min
 Wire range:26~18AWG

Standard IEC
 Rated voltage:130V
 Rated current:8A
 Wire range:1.0mm²
 Temp.Range:-40°C~+105°C
 Steip Length:5~6mm
 Pitch:2.54mm
 Poles:2~30P

Materials:
 Contact: Copper Alloy,Tin plated.
 Cage: Copper Alloy,Nickel plated.
 Screw: Stee,Zn plated.
 Insulator: Nylon.
 Product Number Code:

DS1159-03 - X X X

- X — Contact plating
6: Tin
- X — Housing color
G:Green A:Gray
L:Blue
- X — No.of contacts
2-30

GENERAL TOLERANCE		ANGLE TOLERANCE		PROJECTION		TITLE	
X.	± 0.60	X.	$\pm 5^\circ$	UNITS	mm	2.54mm Screw Type Terminal Block V/T Type	
.X	± 0.38	.X	$\pm 3^\circ$	SHEET SIZE	A4	SERIES	DS1159-03 SERIES
.XX	± 0.25	.XX	$\pm 2^\circ$	晨翔电子有限公司 CONNFLY CONNELY ELECTRONIC CO. LTD			
DRAWING TYPE		CUSTOMER					
SCALE	1:1	SHEET	1 OF 1				
DRAWING NO.		C-DS1159-03-XXX-A					