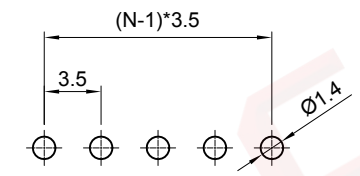
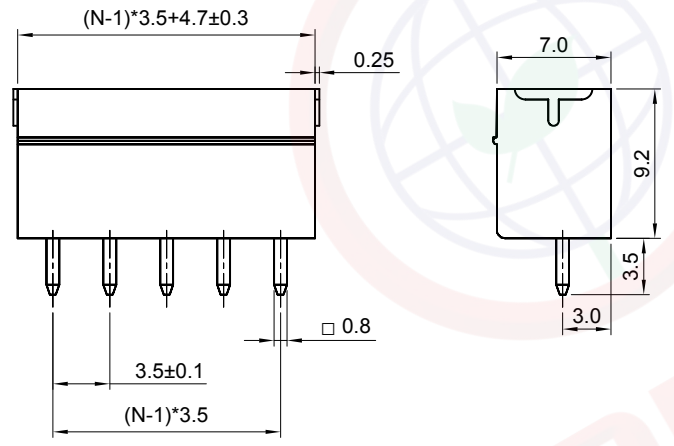
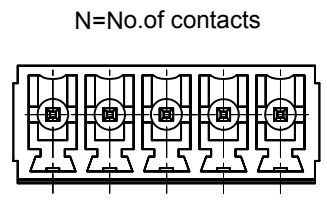


Dept	
Qty	
DC	1
ED	1
IE	1
ISO	1
PD	1
R&D	1
SD	1
QA	1
QC	1
QE	1

The information provided herein is from CONNELY Electronic Co., Ltd. and is confidential. Any disclosure to a party other than the recipient is prohibited. The intellectual properties and its rights contained herein, including but not limited to, trademarks, patents, copyrights, trade secrets, and technical know-how, are owned exclusively by CONNELY or its affiliates. Unauthorized use or reproduction of any part of this document is strictly prohibited. CONNELY may enforce its intellectual property rights at its own discretion, failures or delays to exercise such rights does not constitute a waiver of such rights.



Recommend PCB layout
(Tolerance:±0.05)



(Series Image-Reference Only)

REV.	DESCRIPTION	DRAWN	CHECKED	APPROVED
A	NEW RELEASE	JLZ 07/08/22'		

NOTES:
 Standard UL
 Rated voltage:300V
 Rated current:8A
 Contact resistance:20mΩ
 Insulation resistance:500MΩ/DC500V
 Wrth standing voltage:AC2000V/1 Min
 Standard IEC
 Rated voltage:250V
 Rated current:7A
 Temp.Range:-40°C~+105°C
 MAX Soldering:+250°C for 5 Sec
 Poles:2~24P
 Materials:
 Contact: Copper Alloy,Tin plated.
 Insulator: Nylon UL94V-0.
 Product Number Code:
 DS1159-17 - X X X

- X X X
- Contact plating
- 6: Tin
- Housing color
- G:Green
- No.of contacts
- 2-24

GENERAL TOLERANCE	ANGLE TOLERANCE	PROJECTION		TITLE	3.50mm Pluggable Terminal Block V/T Type	
X. ±0.60	X. ±5°	UNITS	mm	SHEET SIZE	A4	SERIES DS1159-17 SERIES
.X ±0.38	.X ±3°	晨翔电子有限公司 CONNELY CONNELY ELECTRONIC CO. LTD				
.XX ±0.25	.XX ±2°					
DRAWING TYPE	CUSTOMER	DRAWING NO. C-DS1159-17-XXXXXX-A				
SCALE	1:1 SHEET 1 OF 1					