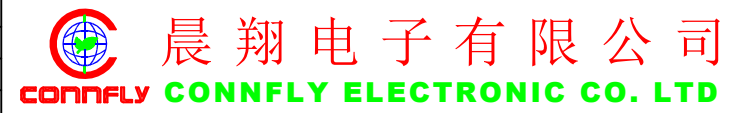


The information provided herein is from CONNELY Electronic Co., Ltd. and is confidential. Any disclosure to a party other than the recipient is prohibited. The intellectual properties and its rights contained herein, including but not limited to, trademarks, patents, copyrights, trade secrets, and technical know-how, are owned exclusively by CONNELY or its affiliates. Unauthorized use of this information in any format or manner. CONNELY may enforce its intellectual property rights at its own discretion; failures or delays to exercise such rights does not constitute a waiver of such rights.

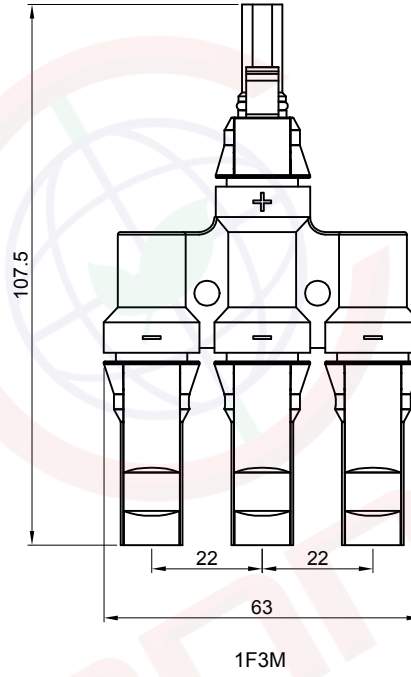
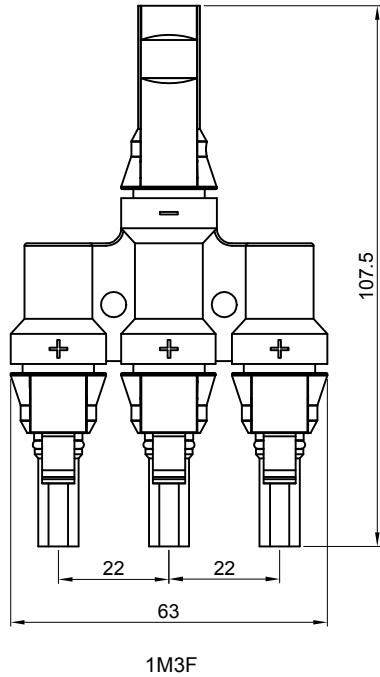
A	1	2	3	4	5	6	7	8																																																								
B	<table border="1" style="width: 100%; border-collapse: collapse;"> <tr> <th style="width: 10%;">REV.</th> <th style="width: 30%;">DESCRIPTION</th> <th style="width: 20%;">DRAWN</th> <th style="width: 20%;">CHECKED</th> <th style="width: 20%;">APPROVED</th> </tr> <tr> <td>A</td> <td>NEW RELEASE</td> <td>JLZ 05/30/23'</td> <td></td> <td></td> </tr> <tr> <td> </td> <td> </td> <td> </td> <td> </td> <td> </td> </tr> <tr> <td> </td> <td> </td> <td> </td> <td> </td> <td> </td> </tr> </table>								REV.	DESCRIPTION	DRAWN	CHECKED	APPROVED	A	NEW RELEASE	JLZ 05/30/23'																																																
REV.	DESCRIPTION	DRAWN	CHECKED	APPROVED																																																												
A	NEW RELEASE	JLZ 05/30/23'																																																														
C	<p>Notes:</p> <p>Specifications:</p> <ol style="list-style-type: none"> Contact Resistance: 0.5mΩ Max. Insulation Resistance: 1000MΩ Min. Current Rating:50A. Voltage Rating:1500V DC. Degree of protection: IP2X/IP67 Temperature: -40°C~+90°C. <p>Materials:</p> <ol style="list-style-type: none"> Insulating material: Thermoplastic,Black. Waterproof Plug: Silicone rubber,Salmon. Contact material: Copper alloy,Tin plated. <p>Product Number Code:</p> <p>DS1162-14 - X X X X X</p> <ul style="list-style-type: none"> — Packing Type P: Polybag — Contact plating 6: Tin — Housing color B: Black — Connector type A: Adaptor — No. of contacts 1F2M: 1Female+2Male 1M2F: 1Male+2Female 1T2: 1F2M+1M2F 																																																															
D	<p style="text-align: center;">1M2F</p>																																																															
E	<p style="text-align: center;">1F2M</p>																																																															
F	<p style="text-align: center;">(Series Image-Reference Only)</p>																																																															
G	<table border="1" style="width: 100%; border-collapse: collapse;"> <tr> <td colspan="2">GENERAL TOLERANCE</td> <td colspan="2">ANGLE TOLERANCE</td> <td>PROJECTION</td> <td></td> <td colspan="2">TITLE</td> </tr> <tr> <td>X.</td> <td>±0.60</td> <td>X.</td> <td>±5°</td> <td>UNITS</td> <td>mm</td> <td colspan="2">Solar Branch Connector 1 To 2 Type</td> </tr> <tr> <td>.X</td> <td>±0.38</td> <td>.X</td> <td>±3°</td> <td>SHEET SIZE</td> <td>A4</td> <td>SERIES</td> <td>DS1162-14 SERIES</td> </tr> <tr> <td>.XX</td> <td>±0.25</td> <td>.XX</td> <td>±2°</td> <td colspan="4"></td> </tr> <tr> <td colspan="2">DRAWING TYPE</td> <td colspan="2">CUSTOMER</td> <td colspan="4"></td> </tr> <tr> <td colspan="2">SCALE</td> <td>1:1</td> <td>SHEET</td> <td colspan="4">1 OF 5</td> </tr> <tr> <td colspan="2">DRAWING NO.</td> <td colspan="6">C-DS1162-14-XXXXX-A</td> </tr> </table>								GENERAL TOLERANCE		ANGLE TOLERANCE		PROJECTION		TITLE		X.	±0.60	X.	±5°	UNITS	mm	Solar Branch Connector 1 To 2 Type		.X	±0.38	.X	±3°	SHEET SIZE	A4	SERIES	DS1162-14 SERIES	.XX	±0.25	.XX	±2°					DRAWING TYPE		CUSTOMER						SCALE		1:1	SHEET	1 OF 5				DRAWING NO.		C-DS1162-14-XXXXX-A					
GENERAL TOLERANCE		ANGLE TOLERANCE		PROJECTION		TITLE																																																										
X.	±0.60	X.	±5°	UNITS	mm	Solar Branch Connector 1 To 2 Type																																																										
.X	±0.38	.X	±3°	SHEET SIZE	A4	SERIES	DS1162-14 SERIES																																																									
.XX	±0.25	.XX	±2°																																																													
DRAWING TYPE		CUSTOMER																																																														
SCALE		1:1	SHEET	1 OF 5																																																												
DRAWING NO.		C-DS1162-14-XXXXX-A																																																														
H	1	2	3	4	5	6	7	8																																																								



Dept	
Qty	
DC	1
ED	1
IE	1
ISO	1
PD	1
R&D	1
SD	1
QA	1
QC	1
QF	1

The information provided herein is from CONNELY Electronic Co., Ltd. and is confidential. Any disclosure to a party other than the recipient is prohibited. The intellectual properties and its rights contained herein, including but not limited to, trademarks, patents, copyrights, trade secrets, and technical know-how, are owned exclusively by CONNELY or its affiliates. Unauthorized use or reproduction of this document in any format or manner, CONNELY may enforce its intellectual property rights at its own discretion; failures or delays to exercise such rights does not constitute a waiver of such rights.

REV.	DESCRIPTION	DRAWN	CHECKED	APPROVED
A	NEW RELEASE	JLZ 05/30/23'		



Notes:

Specifications:

- Contact Resistance: 0.5mΩ Max.
- Insulation Resistance: 1000MΩ Min.
- Current Rating:50A.
- Voltage Rating:1500V DC.
- Degree of protection: IP2X/IP67
- Temperature: -40°C~+90°C.

Materials:

- Insulating material: Thermoplastic,Black.
- Waterproof Plug: Silicone rubber,Salmon.
- Contact material: Copper alloy,Tin plated.

Product Number Code:

DS1162-14 - X X X X X

- Packing Type
P: Polybag
- Contact plating
6: Tin
- Housing color
B: Black
- Connector type
A: Adaptor
- No. of contacts
1F3M: 1Female+3Male
1M3F: 1Male+3Female
1T3: 1F3M+1M3F



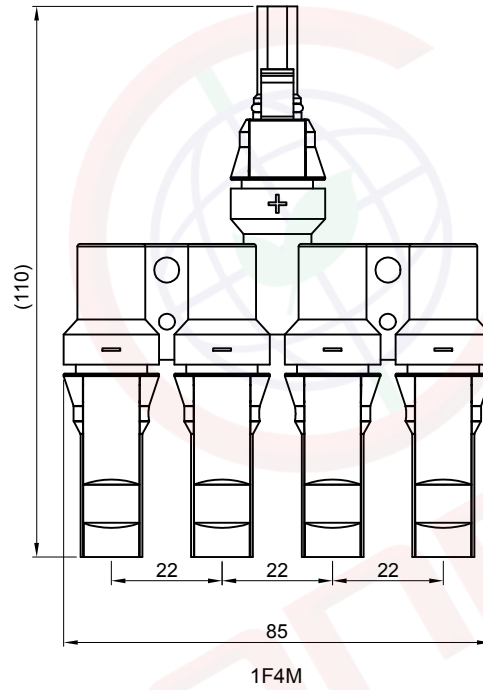
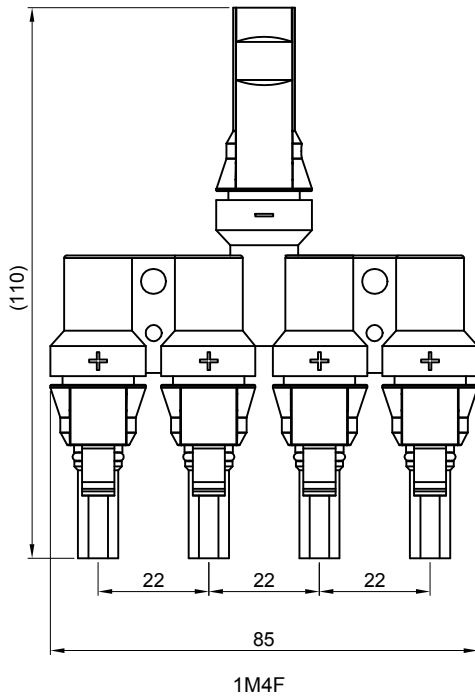
(Series Image-Reference Only)

GENERAL TOLERANCE		ANGLE TOLERANCE		PROJECTION		TITLE	Solar Branch Connector 1 To 3 Type					
X.	±0.60	X.	±5°	UNITS	mm							
.X	±0.38	.X	±3°	SHEET SIZE	A4	SERIES	DS1162-14 SERIES					
.XX	±0.25	.XX	±2°									
DRAWING TYPE		CUSTOMER		晨翔电子有限公司 CONNFLY CONNELY ELECTRONIC CO. LTD								
SCALE		1:1							SHEET		2 OF 5	
DRAWING NO.		C-DS1162-14-XXXXX-A										

Dept	
Qty	
DC	1
ED	1
IE	1
ISO	1
PD	1
R&D	1
SD	1
QA	1
QC	1
QF	1

The information provided herein is from CONNELY Electronic Co., Ltd. and is confidential. Any disclosure to a party other than the recipient is prohibited. The intellectual properties and its rights contained herein, including but not limited to, trademarks, patents, copyrights, trade secrets, and technical know-how, are owned exclusively by CONNELY or its affiliates. Unauthorized use of this information in any format or manner, CONNELY may enforce its intellectual property rights at its own discretion; failures or delays to exercise such rights does not constitute a waiver of such rights.

REV.	DESCRIPTION	DRAWN	CHECKED	APPROVED
A	NEW RELEASE	JLZ 05/30/23'		



Notes:

Specifications:

1. Contact Resistance: 0.5mΩ Max.
2. Insulation Resistance: 1000MΩ Min.
3. Current Rating:50A.
4. Voltage Rating:1500V DC.
5. Degree of protection: IP2X/IP67
6. Temperature: -40°C~+90°C.

Materials:

1. Insulating material: Thermoplastic,Black, UL 94 V-0 or UL 94 HB.
2. Waterproof Plug: Silicone rubber,Salmon.
3. Contact material: Copper alloy,Tin plated.

Product Number Code:

DS1162-14 - X X X X X

- Packing Type
P: Polybag
- Contact plating
6: Tin
- Housing color
B: Black
- Connector type
A: Adaptor
- No. of contacts
1F4M: 1Female+4Male
1M4F: 1Male+4Female
1T4: 1F4M+1M4F



(Series Image-Reference Only)

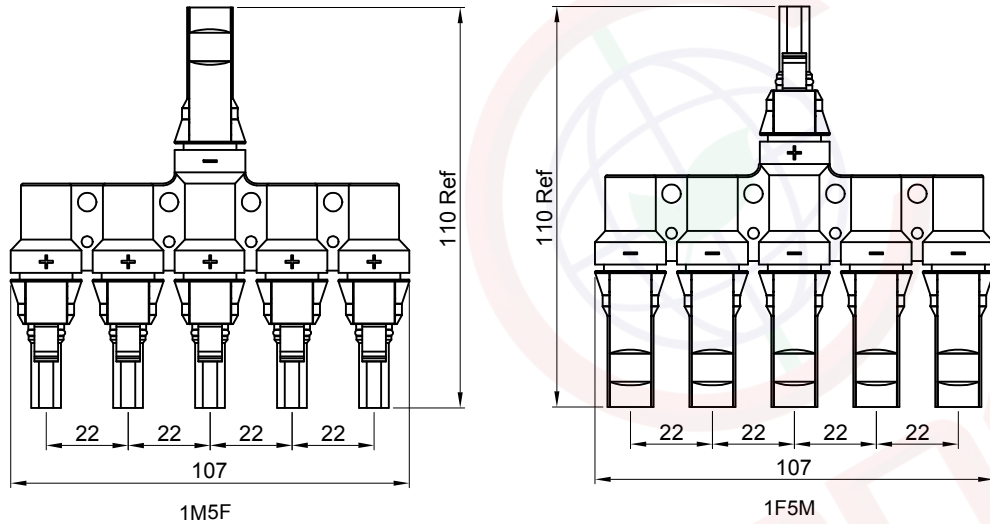
GENERAL TOLERANCE		ANGLE TOLERANCE		PROJECTION		TITLE	Solar Branch Connector 1 To 4 Type	
X.	±0.60	X.	±5°	UNITS	mm			
.X	±0.38	.X	±3°	SHEET SIZE	A4	SERIES	DS1162-14 SERIES	
.XX	±0.25	.XX	±2°					
DRAWING TYPE		CUSTOMER						
SCALE		1:1	SHEET		3 OF 5			
DRAWING NO.		C-DS1162-14-XXXXX-A						

晨翔电子有限公司
CONNFLY CONNELY ELECTRONIC CO. LTD

The information provided herein is from CONNELY Electronic Co., Ltd. and is confidential. Any disclosure to a party other than the recipient is prohibited. The intellectual properties and its rights contained herein, including but not limited to, trademarks, patents, copyrights, trade secrets, and technical know-how, are owned exclusively by CONNELY or its affiliates. Unauthorized use of this information in any format or manner. CONNELY may enforce its intellectual property rights at its own discretion; failures or delays to exercise such rights does not constitute a waiver of such rights.

1 2 3 4 5 6 7 8

REV.	DESCRIPTION	DRAWN	CHECKED	APPROVED
A	NEW RELEASE	JLZ 05/30/23'		



Notes:

Specifications:

- Contact Resistance: 0.5mΩ Max.
- Insulation Resistance: 1000MΩ Min.
- Current Rating:50A.
- Voltage Rating:1500V DC.
- Degree of protection: IP2X/IP67
- Temperature: -40°C~+90°C.

Materials:

- Insulating material: Thermoplastic,Black.
- Waterproof Plug: Silicone rubber,Salmon.
- Contact material: Copper alloy,Tin plated.

Product Number Code:

DS1162-14 - X X X X X

- Packing Type
P: Polybag
- Contact plating
6: Tin
- Housing color
B: Black
- Connector type
A: Adaptor
- No. of contacts
1F5M: 1Female+5Male
1M5F: 1Male+5Female
1T5: 1F5M+1M5F



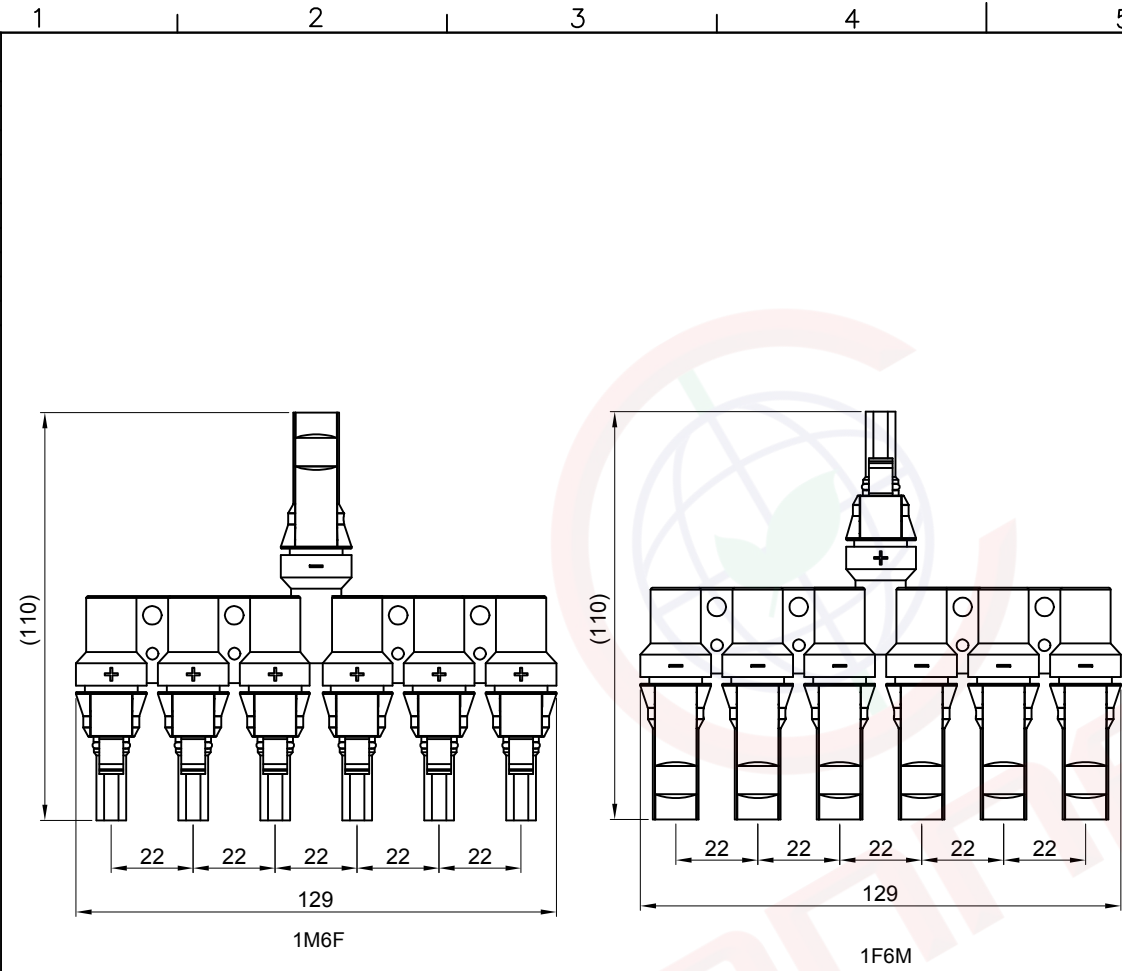
(Series Image-Reference Only)

GENERAL TOLERANCE		ANGLE TOLERANCE		PROJECTION		TITLE	Solar Branch Connector 1 To 5 Type	
X.	±0.60	X.	±5°	UNITS	mm			
.X	±0.38	.X	±3°	SHEET SIZE	A4	SERIES	DS1162-14 SERIES	
.XX	±0.25	.XX	±2°					
DRAWING TYPE		CUSTOMER						
SCALE		1:1	SHEET		4 OF 5			
DRAWING NO.		C-DS1162-14-XXXXX-A						

晨翔电子有限公司
CONNELY CONNELY ELECTRONIC CO. LTD

1 2 3 4 5 6 7 8

The information provided herein is from CONNELY Electronic Co., Ltd. and is confidential. Any disclosure to a party other than the recipient is prohibited. The intellectual properties and its rights contained herein, including but not limited to, trademarks, patents, copyrights, trade secrets, and technical know-how, are owned exclusively by CONNELY or its affiliates. Unauthorized use of this information in any format or manner, CONNELY may enforce its intellectual property rights at its own discretion; failures or delays to exercise such rights does not constitute a waiver of such rights.



(Series Image-Reference Only)

REV.	DESCRIPTION	DRAWN	CHECKED	APPROVED
A	NEW RELEASE	JLZ 05/30/23'		

- Notes:
- Specifications:
- Contact Resistance: 0.5mΩ Max.
 - Insulation Resistance: 1000MΩ Min.
 - Current Rating:50A.
 - Voltage Rating:1500V DC.
 - Degree of protection: IP2X/IP67
 - Temperature: -40°C~+90°C.

- Materials:
- Insulating material: Thermoplastic,Black.
 - Waterproof Plug: Silicone rubber,Salmon.
 - Contact material: Copper alloy,Tin plated.

Product Number Code:
 DS1162-14 - X X X X X

- Packing Type
P: Polybag
- Contact plating
6: Tin
- Housing color
B: Black
- Connector type
A: Adaptor
- No. of contacts
1F6M: 1Female+6Male
1M6F: 1Male+6Female
1T6: 1F6M+1M6F

GENERAL TOLERANCE		ANGLE TOLERANCE		PROJECTION		TITLE	Solar Branch Connector 1 To 6 Type					
X.	±0.60	X.	±5°	UNITS	mm	SHEET SIZE	A4					
.X	±0.38	.X	±3°			SERIES	DS1162-14 SERIES					
.XX	±0.25	.XX	±2°									
DRAWING TYPE		CUSTOMER		晨翔电子有限公司 CONNELY CONNELY ELECTRONIC CO. LTD								
SCALE		1:1							SHEET		5 OF 5	
DRAWING NO.		C-DS1162-14-XXXXX-A										