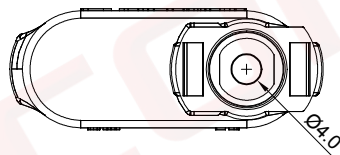
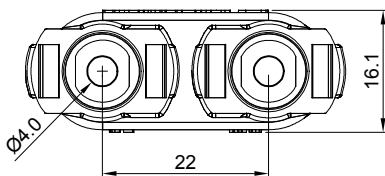
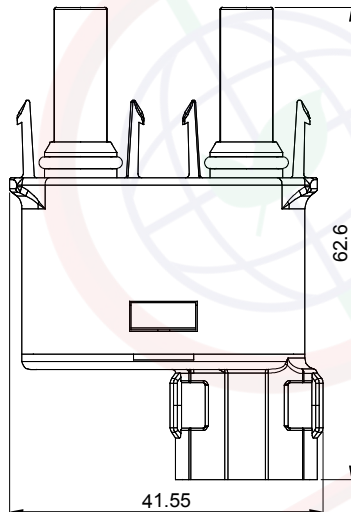
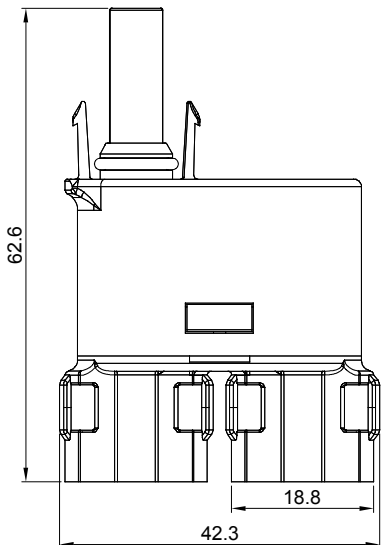
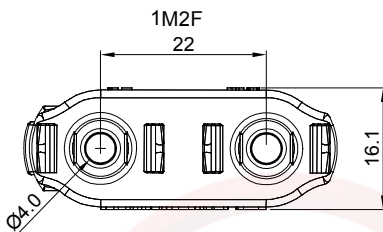
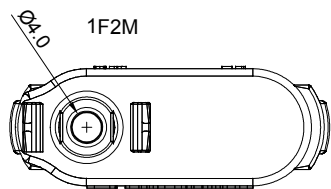


The information provided herein is from CONNELY Electronic Co., Ltd. and is confidential. Any disclosure to a party other than the recipient is prohibited. The intellectual properties and its rights contained herein, including but not limited to, trademarks, patents, copyrights, trade secrets, and technical know-how, are owned exclusively by CONNELY or its affiliates. Unauthorized use of this information in any format or manner. CONNELY may enforce its intellectual property rights at its own discretion; failures or delays to exercise such rights does not constitute a waiver of such rights.

1 2 3 4 5 6 7 8

Dept	Qty
DC	1
ED	1
IE	1
ISO	1
PD	1
R&D	1
SD	1
QA	1
QC	1
QF	1

REV.	DESCRIPTION	DRAWN	CHECKED	APPROVED
A	NEW RELEASE	JLZ 05/30/23'		



(Series Image-Reference Only)

Notes:

Specifications:

- Contact Resistance: 0.5mΩ Max.
- Insulation Resistance: 1000MΩ Min.
- Test voltage: 8kV(50Hz,1min).
- Current Rating:40A.
- Voltage Rating:1500V DC.
- Degree of protection: IP2X/IP68
- Safety class:II
- Overvoltage category: CATIII
- Insertion force: 50N Max.
- Withdrawal force: 50N Min.
- Temperature: -40°C~+85°C.

Materials:

- Insulating material: PPE,Black.
- Waterproof Plug: Silicone rubber,Salmon.
- Contact material: Copper alloy,Tin plated.

Product Number Code:

DS1162-15 - X X X X X

- X — Packing Type
P: Polybag
- X — Contact plating
6: Tin
- X — Housing color
B: Black
- X — Connector type
A: Adaptor
- X — No. of contacts
1F2M: 1Female+2Male
1M2F: 1Male+2Female
1T2: 1F2M+1M2F

GENERAL TOLERANCE		ANGLE TOLERANCE	
X.	±0.60	X.	±5°
.X	±0.38	.X	±3°
.XX	±0.25	.XX	±2°

PROJECTION		TITLE	Solar Adapter 1 To 2 Type
UNITS	mm	SERIES	DS1162-15 SERIES
SHEET SIZE	A4		

DRAWING TYPE	CUSTOMER		
SCALE	1:1	SHEET	1 OF 2
DRAWING NO.	C-DS1162-15-XXXXX-A		

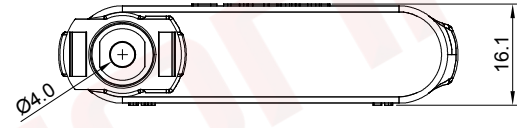
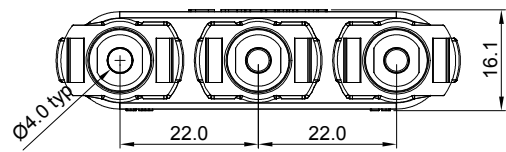
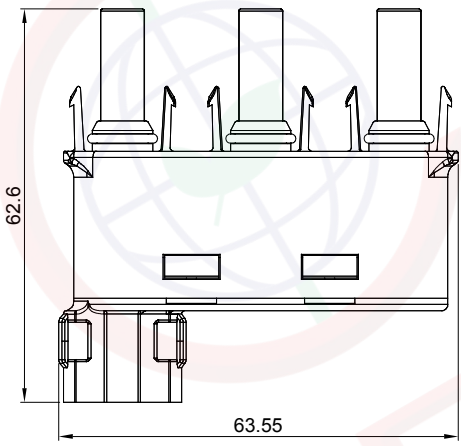
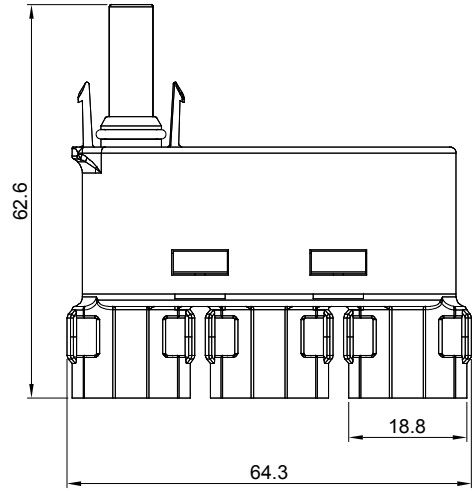
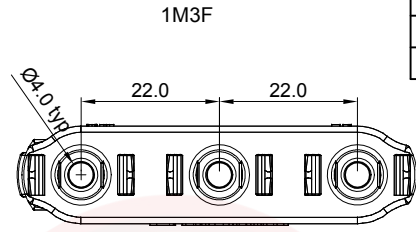
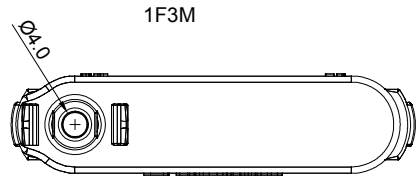
晨翔电子有限公司
CONNFLY CONNELY ELECTRONIC CO. LTD

1 2 3 4 5 6 7 8

The information provided herein is from CONNELY Electronic Co., Ltd. and is confidential. Any disclosure to a party other than the recipient is prohibited. The intellectual properties and its rights contained herein, including but not limited to, trademarks, patents, copyrights, trade secrets, and technical know-how, are owned exclusively by CONNELY or its affiliates. Unauthorized use of this information in any format or manner. CONNELY may enforce its intellectual property rights at its own discretion; failures or delays to exercise such rights does not constitute a waiver of such rights.

1 2 3 4 5 6 7 8

REV.	DESCRIPTION	DRAWN	CHECKED	APPROVED
A	NEW RELEASE	JLZ 05/30/23'		



(Series Image-Reference Only)

Notes:

Specifications:

- Contact Resistance: 0.5mΩ Max.
- Insulation Resistance: 1000MΩ Min.
- Test voltage: 8kV(50Hz, 1min).
- Current Rating: 40A.
- Voltage Rating: 1500V DC.
- Degree of protection: IP2X/IP68
- Safety class: II
- Overvoltage category: CATIII
- Insertion force: 50N Max.
- Withdrawal force: 50N Min.
- Temperature: -40°C~+85°C.

Materials:

- Insulating material: PPE, Black.
- Waterproof Plug: Silicone rubber, Salmon.
- Contact material: Copper alloy, Tin plated.

Product Number Code:

DS1162-15 - X X X X X

- Packing Type
P: Polybag
- Contact plating
6: Tin
- Housing color
B: Black
- Connector type
A: Adaptor
- No. of contacts
1F3M: 1Female+3Male
1M3F: 1Male+3Female
1T3: 1F3M+1M3F

GENERAL TOLERANCE		ANGLE TOLERANCE		PROJECTION	TITLE
X.	±0.60	X.	±5°		Solar Adapter 1 To 3 Type
.X	±0.38	.X	±3°	mm	
.XX	±0.25	.XX	±2°	A4	SERIES DS1162-15 SERIES
DRAWING TYPE		CUSTOMER		晨翔电子有限公司 CONNFLY CONNELY ELECTRONIC CO. LTD	
SCALE		SHEET			
DRAWING NO.		2 OF 2			
C-DS1162-15-XXXXX-A		C-DS1162-15-XXXXX-A			

1 2 3 4 5 6 7 8