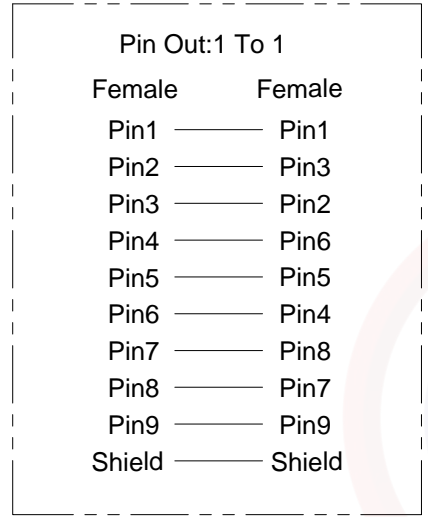
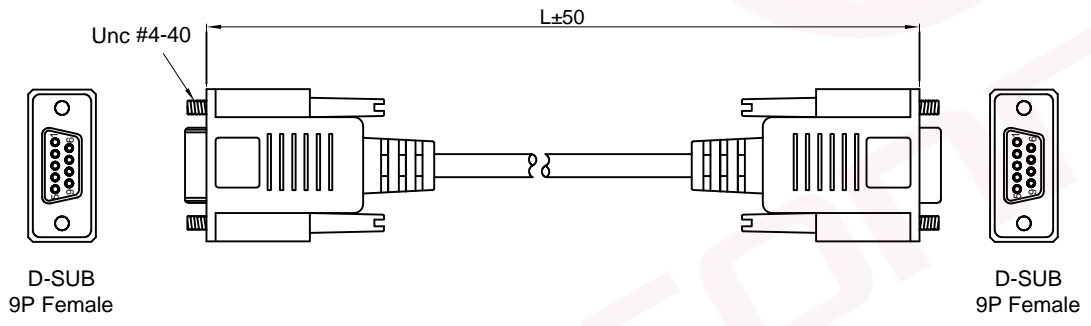
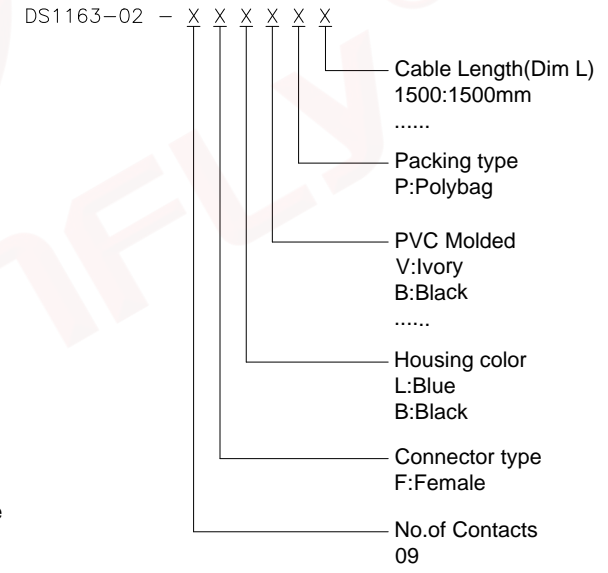


The information provided herein is from CONNELY Electronic Co., Ltd. and is confidential. Any disclosure to a party other than the recipient is prohibited. The intellectual properties and its rights contained herein, including but not limited to, trademarks, patents, copyrights, trade secrets, and technical know-how, are owned exclusively by CONNELY or its affiliates. Unauthorized use or reproduction of any information contained herein is strictly prohibited. CONNELY may enforce its intellectual property rights at its own discretion, failures or delays to exercise such rights does not constitute a waiver of such rights.

REV.	DESCRIPTION	DRAWN	CHECKED	APPROVED
A	NEW RELEASE	JLZ 03/25/22'		



NOTES:
Specifications:
 1. Contact resistance: 5Ω MAX.
 2. Insulation resistance: 10MΩ MIN.
 3. Temperature: -25°C~+85°C.
Materials:
 1. Cable:UL2464 28AWG .
 2. Connector: D-SUB Female.
 3. PVC Molded: Ivory or Black.
Product number code:



(Series Image-Reference Only)

GENERAL TOLERANCE		ANGLE TOLERANCE		PROJECTION		TITLE	
X.	±0.60	X.	±5°	UNITS	mm	D-SUB 9P Female to Female Data Cable	
.X	±0.38	.X	±3°	SHEET SIZE	A4	SERIES	DS1163-02 SERIES
.XX	±0.25	.XX	±2°	晨翔电子有限公司 CONNELY ELECTRONIC CO., LTD			
DRAWING TYPE		CUSTOMER					
SCALE	1:1	SHEET	1 OF 1				
DRAWING NO.		C-DS1163-02-XXXXXX-A					