

Dept	
Qty	
DC	1
ED	1
IE	1
ISO	1
PD	1
R&D	1
SD	1
QA	1
QC	1
QE	1

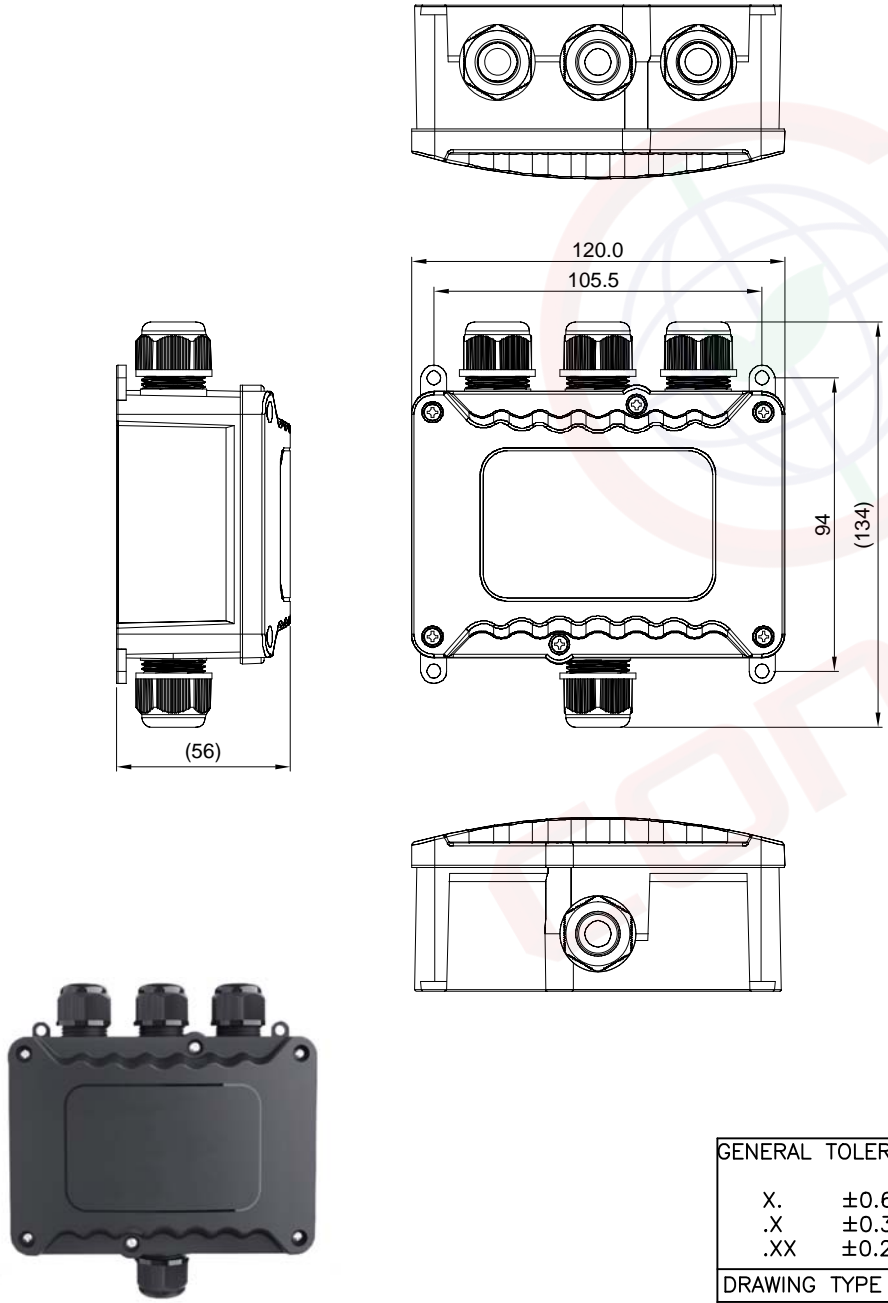
The information provided herein is from CONNELY Electronic Co., Ltd. and is confidential. Any disclosure to a party other than the recipient is prohibited. The intellectual properties and its rights contained herein, including but not limited to, trademarks, patents, copyrights, trade secrets, and technical know-how, are owned exclusively by CONNELY or its affiliates. Unauthorized use or reproduction of any part of this document is strictly prohibited. CONNELY may enforce its intellectual property rights at its own discretion, failures or delays to exercise such rights does not constitute a waiver of such rights.

REV.	DESCRIPTION	DRAWN	CHECKED	APPROVED
A	NEW RELEASE	JLZ 05/05/23'		

NOTES:
 Rated voltage:450V.
 Rated current:40A.
 Temp.Range:-40°C~+105°C.
 Protection grade:IP68.
 Suitable cable cross sections: 0.5-6.0mm².
 Cable OD:Ø5-9mm,Ø9-12mm.
 Materials:
 Insulator: Nylon,Black.
 Sealings: Silicone,Green&Yellow.
 Nut: Copper Alloy.
 Screw: Steel,Black.
 Product Number Code:

DS1169-01 - X X X X

- Wire Ring Type(Dim A)
1: A=8.5
2: A=11.5
- Main Body Color
B: Black
- Box Type
F: Female
- No. of Holes
4: 4Pos



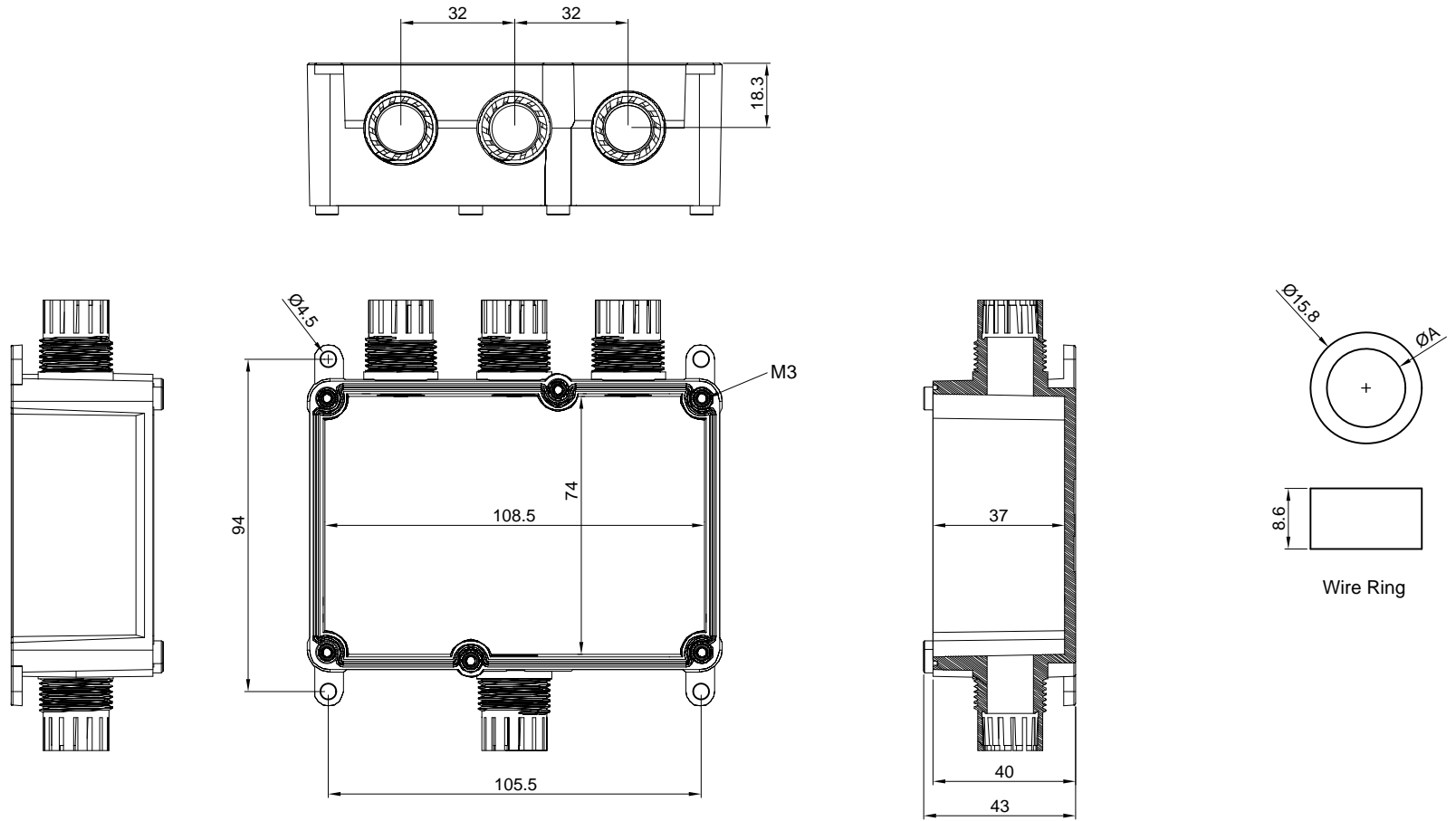
(Series Image-Reference Only)

GENERAL TOLERANCE		ANGLE TOLERANCE		PROJECTION		TITLE	Waterproof Wire Junction Box 1 To 3 Type	
X.	±0.60	X.	±5°	UNITS	mm	SERIES	DS1169-01 SERIES	
.X	±0.38	.X	±3°	SHEET SIZE	A4			
.XX	±0.25	.XX	±2°					
DRAWING TYPE		CUSTOMER			晨翔电子有限公司 CONNFLY CONNELY ELECTRONIC CO. LTD			
SCALE		1:1	SHEET	1 OF 2				
DRAWING NO.		C-DS1169-01-XXXX-A						

Dept	
Qty	
DC	1
ED	1
IE	1
ISO	1
PD	1
R&D	1
SD	1
QA	1
QC	1
QF	1

The information provided herein is from CONNPLY Electronic Co., Ltd. and is confidential. Any disclosure to a party other than the recipient is prohibited. The intellectual properties and its rights contained herein, including but not limited to, trademarks, patents, copyrights, trade secrets, and technical know-how, are owned exclusively by CONNPLY or its affiliates. Unauthorized use or reproduction of any part of this document is strictly prohibited. CONNPLY may enforce its intellectual property rights at its own discretion, failures or delays to exercise such rights does not constitute a waiver of such rights.

REV.	DESCRIPTION	DRAWN	CHECKED	APPROVED
A	NEW RELEASE	JLZ 05/05/23'		



GENERAL TOLERANCE		ANGLE TOLERANCE	
X.	±0.60	X.	±5°
.X	±0.38	.X	±3°
.XX	±0.25	.XX	±2°
DRAWING TYPE		CUSTOMER	
SCALE		1:1	SHEET 2 OF 2
DRAWING NO.		C-DS1169-01-XXXX-A	

PROJECTION		TITLE	Waterproof Wire Junction Box 1 To 3 Type
UNITS	mm	SERIES	DS1169-01 SERIES
SHEET SIZE	A4		

晨翔电子有限公司
CONNPLY CONNPLY ELECTRONIC CO. LTD