

The information provided herein is from CONNELY Electronic Co., Ltd. and is confidential. Any disclosure to a party other than the recipient is prohibited. The intellectual properties and its rights contained herein, including but not limited to, trademarks, patents, copyrights, trade secrets, and technical know-how, are owned exclusively by CONNELY or its affiliates. Unauthorized use of this information in any format or manner. CONNELY may enforce its intellectual property rights at its own discretion; failures or delays to exercise such rights does not constitute a waiver of such rights.

1 2 3 4 5 6 7 8

REV.	DESCRIPTION	DRAWN	CHECKED	APPROVED
A	NEW RELEASE	JLZ 05/31/24'		

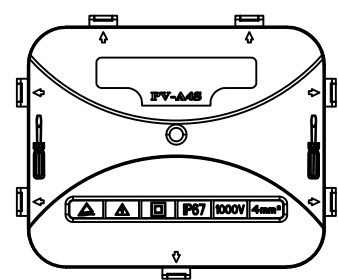
Dept
Qty

DC	1
ED	1
IE	1
ISO	1
PD	1
R&D	1
SD	1
QA	1
QC	1
QF	1

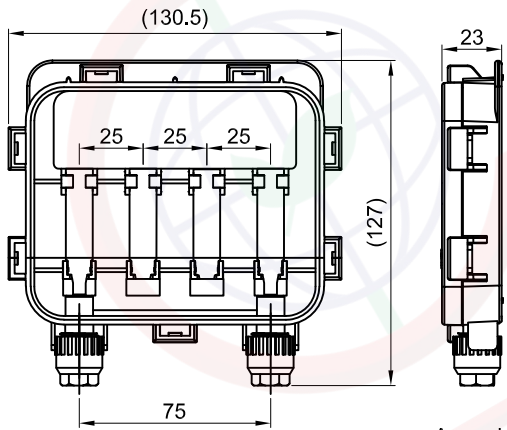
A
B
C
D
E
F
G
H

NOTES:
 Temp.Range:-40°C~+85°C.
 Protection grade:IP65.
 Safety Class:Class 2.
 Flame Resistance:5VA
 Rated Voltage:1000V DC.
 Cable OD:4mm².
 Distance between the terminals:25mm.
 Materials:
 Insulator: PPO,Black.
 Contact: Copper Alloy, Tin Plated.
 Sealings: Silicone.
 Product Number Code:
 DS1169-18 - X X

Plating type
 6: Tin
 Main Body Color
 B: Black



Cover



Base

Assemble



(Series Image-Reference Only)

GENERAL TOLERANCE		ANGLE TOLERANCE	
X.	±0.60	X.	±5°
.X	±0.38	.X	±3°
.XX	±0.25	.XX	±2°
DRAWING TYPE		CUSTOMER	
SCALE	1:1	SHEET	1 OF 1
DRAWING NO.	C-DS1169-18-XX-A		

PROJECTION		TITLE	PV Junction Box W/ Diode Type	
UNITS	mm	SERIES	DS1169-18 SERIES	

晨翔电子有限公司
CONNELY CONNELY ELECTRONIC CO. LTD

1 2 3 4 5 6 7 8