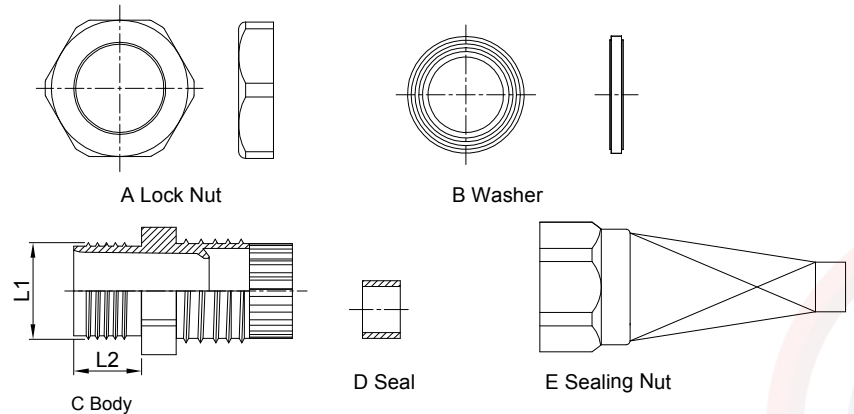


The information provided herein is from CONNELY Electronic Co., Ltd. and is confidential. Any disclosure to a party other than the recipient is prohibited. The intellectual properties and its rights contained herein, including but not limited to, trademarks, patents, copyrights, trade secrets, and technical know-how, are owned exclusively by CONNELY or its affiliates. Unauthorized use or reproduction of this document in any format or manner. CONNELY may enforce its intellectual property rights at its own discretion; failures or delays to exercise such rights does not constitute a waiver of such rights.

Dept	1	2	3	4	5	6	7	8
Qty								
DC	1							
ED	1							
IE	1							
ISO	1							
PD	1							
R&D	1							
SD	1							
QA	1							
QC	1							
QF	1							

REV.	DESCRIPTION	DRAWN	CHECKED	APPROVED
A	NEW RELEASE	JLZ 08/04/23'		



Notes:
Specifications:
 1. Temperature: -20°C~+80°C.
Materials:
 1. Material: Parts A, C, E are made of Nylon or PP; Parts B and D are made of NBR.
Product Number Code:

DS1170-05 - X X X

Materials type
 N: Nylon P: PP
 Color
 A: Gray B: Black
 Model
 M12 M12L M12S M12SL

 M27 M27L M27S M27SL

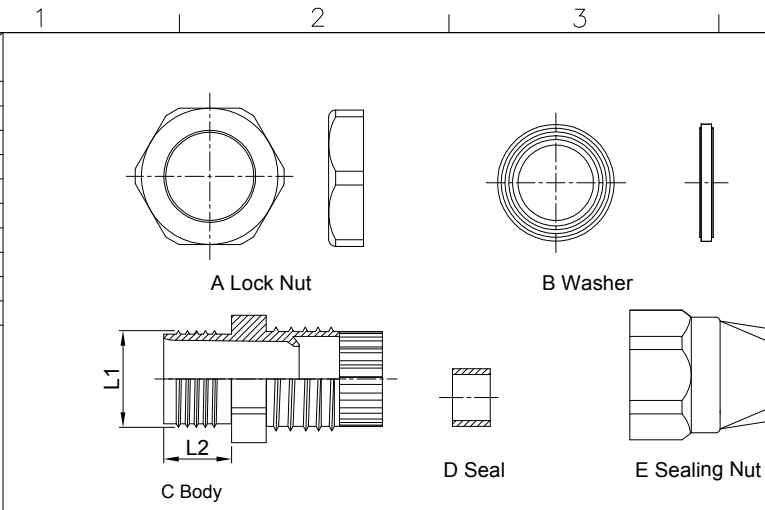
Model	Cable Range(mm)	Thread O.D.L1(mm)	Thread Length L2(mm)	Spanner Size A&E(mm)
M12	3-6.5	12	9	18/16
M12L	3-6.5	12	15	18/16
M12S	2-5	12	9	18/16
M12SL	2-5	12	15	18/16
M14	4-8	14	8	22/19
M14L	4-8	14	10	22/19
M14S	2-6	14	8	22/19
M14SL	2-6	14	10	22/19
M16	4-8	16	9	22/19
M16L	4-8	16	15	22/19
M16S	2-6	16	9	22/19
M16SL	2-6	16	15	22/19
M18	5-10	18	9	24/22
M18L	5-10	18	15	24/22
M18S	3-7	18	9	24/22
M18SL	3-7	18	15	24/22
M20	6-12	20	10	27/24
M20L	6-12	20	15	27/24
M20S	5-9	20	10	27/24
M20SL	5-9	20	15	27/24
M22	10-14	22	10	30/27
M22L	10-14	22	15	30/27
M22S	7-12	22	10	30/27
M22SL	7-12	22	15	30/27
M24	12-15	24	10	30/28
M24L	12-15	24	15	30/28
M24S	10-15	24	10	30/28
M24SL	10-15	24	15	30/28
M25	13-18	25	12	35/33
M25L	13-18	25	15	35/33
M25S	9-16	25	12	35/33
M25SL	9-16	25	15	35/33
M27	13-18	27	12	35/33
M27L	13-18	27	15	35/33
M27S	9-16	27	12	35/33
M27SL	9-16	27	15	35/33



(Series Image-Reference Only)

GENERAL TOLERANCE	ANGLE TOLERANCE	PROJECTION		TITLE	Plastic fixed cable gland M&ML With Strain Relief type		
X. ±0.60	X. ±5°	UNITS	mm	SHEET SIZE	A4		
.X ±0.38	.X ±3°			SERIES	DS1170-05 SERIES		
.XX ±0.25	.XX ±2°						
DRAWING TYPE	CUSTOMER	晨翔电子有限公司 CONNELY CONNELY ELECTRONIC CO. LTD					
SCALE	1:1					SHEET	1 OF 2
DRAWING NO.	C-DS1170-04-XXX-A						

The information provided herein is from CONNELY Electronic Co., Ltd. and is confidential. Any disclosure to a party other than the recipient is prohibited. The intellectual properties and its rights contained herein, including but not limited to, trademarks, patents, copyrights, trade secrets, and technical know-how, are owned exclusively by CONNELY or its affiliates. Unauthorized use or reproduction of this document in any format or manner. CONNELY may enforce its intellectual property rights at its own discretion; failures or delays to exercise such rights does not constitute a waiver of such rights.



Model	Cable Range(mm)	Thread O.D.L1(mm)	Thread Length L2(mm)	Spanner Size A&E(mm)
PG7	3~6.5	12.5	9	18/16
PG7L	3~6.5	12.5	15	18/16
PG7S	2~5	12.5	9	18/16
PG7SL	2~5	12.5	15	18/16
PG9	4~8	15.2	9	22/19
PG9L	4~8	15.2	15	22/19
PG9S	2~6	15.2	9	22/19
PG9SL	2~6	15.2	15	22/19
PG11	5~10	18.6	9	24/22
PG11L	5~10	18.6	15	24/22
PG11S	3~7	18.6	9	24/22
PG11L	3~7	18.6	15	24/22
PG13.5	6~12	20.4	10	27/24
PG13.5L	6~12	20.4	15	27/24
PG13.5S	5~9	20.4	10	27/24
PG13.5L	5~9	20.4	15	27/24
PG16	10~14	22.5	10	30/27
PG16L	10~14	22.5	15	30/27
PG16S	7~12	22.5	10	30/27
PG16SL	7~12	22.5	15	30/27
PG19	12~15	22.5	10	30/28
PG19L	12~15	22.5	15	30/28
PG19S	10~15	22.5	10	30/28
PG19SL	10~15	22.5	15	30/28
PG21	13~18	28.3	12	35/33
PG21L	13~18	28.3	15	35/33
PG21S	9~16	28.3	12	35/33
PG21SL	9~16	28.3	15	35/33



(Series Image-Reference Only)

REV.	DESCRIPTION	DRAWN	CHECKED	APPROVED
A	NEW RELEASE	JLZ 08/04/23'		

Notes:
Specifications:
 1. Temperature: -20°C~+80°C.
Materials:
 1. Material: Parts A, C, E are made of Nylon or PP; Parts B and D are made of NBR.
Product Number Code:

DS1170-05 - X X X

Materials type
 N: Nylon P: PP
 Color
 A: Gray B: Black
 Model
 PG7 PG7L PG7S PG7SL

 PG21 PG21L PG21S PG21SL

GENERAL TOLERANCE		ANGLE TOLERANCE		PROJECTION		TITLE	Plastic fixed cable gland PG&PGL With Strain Relief type		
X.	±0.60	X.	±5°	UNITS	mm	SHEET SIZE	A4		
.X	±0.38	.X	±3°	SHEET SIZE	A4	SERIES	DS1170-05 SERIES		
.XX	±0.25	.XX	±2°	晨翔电子有限公司 CONNELY CONNELY ELECTRONIC CO. LTD					
DRAWING TYPE		CUSTOMER							
SCALE	1:1	SHEET	2 OF 2						
DRAWING NO.		C-DS1170-04-XXX-A							