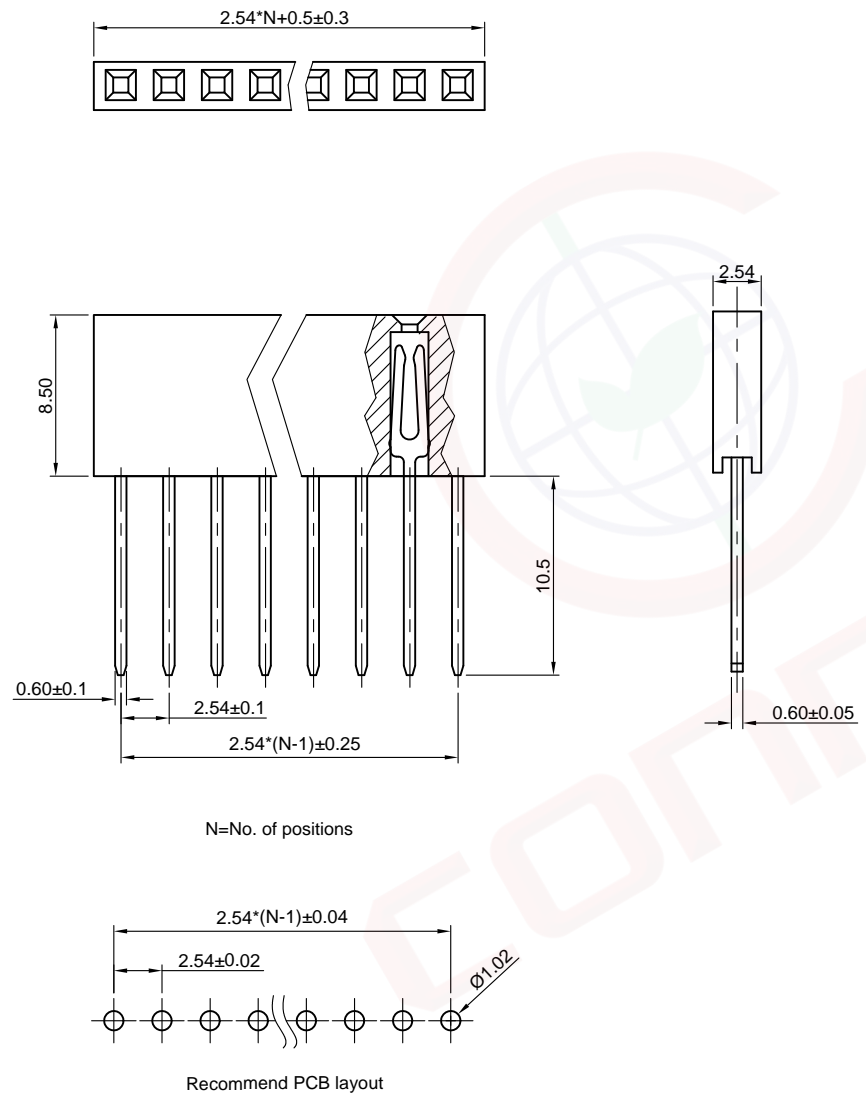


The information provided herein is from CONNELY Electronic Co., Ltd. and is confidential. Any disclosure to a party other than the recipient is prohibited. The intellectual properties and its rights contained herein, including but not limited to, trademarks, patents, copyrights, trade secrets, and technical know-how, are owned exclusively by CONNELY or its affiliates. Unauthorized use or reproduction of any part of this document is strictly prohibited. CONNELY may enforce its intellectual property rights at its own discretion, failures or delays to exercise such rights does not constitute a waiver of such rights.

REV.	DESCRIPTION	DRAWN	CHECKED	APPROVED
A	NEW RELEASE	JLZ 08/26/14'		LJC 08/26/14'
B	DRAWING UPDATE	JLZ 03/09/20'		



- NOTES:
- Material:
 - Insulator: PBT With glass fiber. UL94 V-0.
 - Contact: Copper alloy.
 - Electrical performance
 - Current rating: 1.9A.
 - Contact resistance: 20mΩ maximum.
 - Insulation resistance: 1000MΩ minimum.
 - Dielectric withstanding voltage: 500V AC(r.m.s) per 60s.
 - Environment performance:
 - Temperature range: -40°C~+105°C.
 - Mechanical performance:
 - Mating force: 150g per pin maximum.
 - Withdrawal force: 30g per pin minimum.
 - Recommend PCB thickness: 1.6mm
 - Product number code:

PC104-012 - XX X X

- Contact plating:
 - 0: Selective gold flash.(contact area)
 - 1: Selective 10u" gold(contact area)
 - 3: Selective 30u" gold(contact area)
 - 6: Full Matt Tin(General Mode)
 - 8: Full gold flash(General Mode)
- Color:
 - B: Black
- No. of positions:
 - 1x2 ~ 1x40

GENERAL TOLERANCE		ANGLE TOLERANCE	
X.	±0.60	X.	±5°
.X	±0.38	.X	±3°
.XX	±0.25	.XX	±2°

DRAWING TYPE	CUSTOMER		
SCALE	1:1	SHEET	1 OF 1
DRAWING NO.	C-PC104-012-XXXX-B		

PROJECTION		TITLE	PC/104 Non Stack Single Row
UNITS	mm		V/T Type tail Length10.5mm
SHEET SIZE	A4	SERIES	PC104-012 SERIES

晨翔电子有限公司
CONNFLY ELECTRONIC CO., LTD