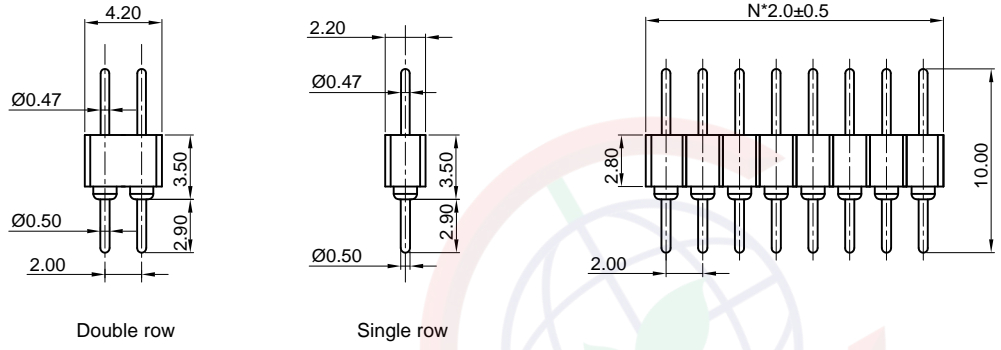
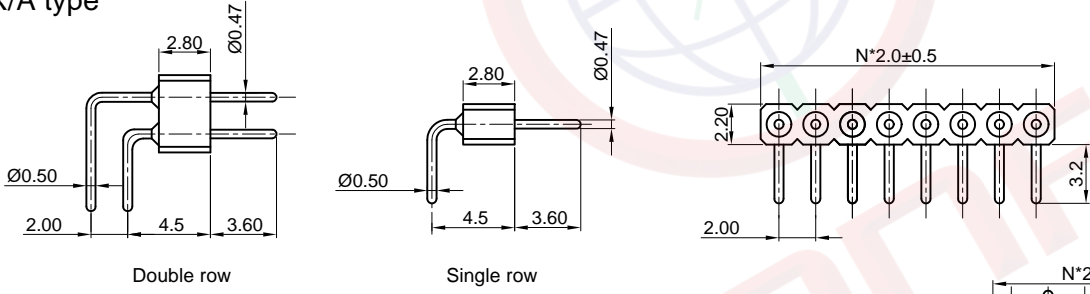


The information provided herein is from CONNELY Electronic Co., Ltd. and is confidential. Any disclosure to a party other than the recipient is prohibited. The intellectual properties and its rights contained herein, including but not limited to, trademarks, patents, copyrights, trade secrets, and technical know-how, are owned exclusively by CONNELY or its affiliates. Unauthorized use or reproduction of any part of this document is strictly prohibited. CONNELY may enforce its intellectual property rights at its own discretion, failures or delays to exercise such rights does not constitute a waiver of such rights.

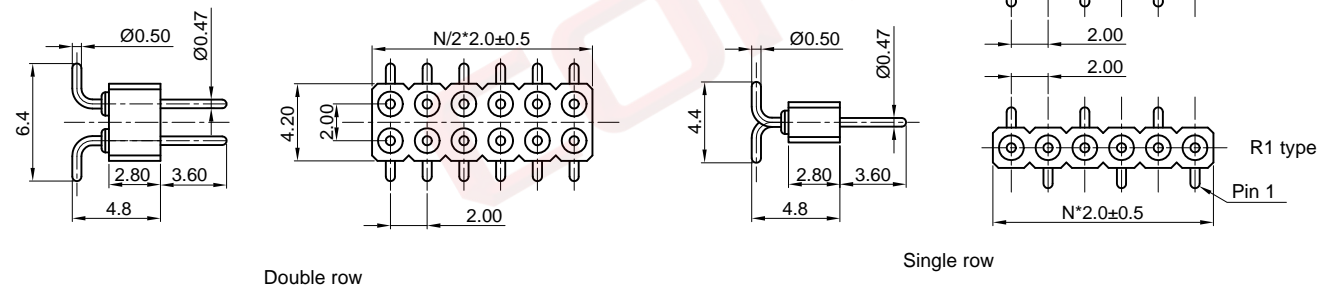
V/T type



R/A type



SMT type



(Series Image-Reference Only)

N=No. of contacts(Single row)
N=No. of contacts/2(Double row)

REV.	DESCRIPTION	DRAWN	CHECKED	APPROVED
A	NEW RELEASE	LL 06/30/06'	~	LJC 06/30/06'
B	ADD P/N CODE	JLZ 02/11/15'	~	LJC 02/11/15'
C	DRAWING UPDATE	JLZ 07/23/18'	~	

NOTES:

- Electrical characteristics:
 - Contact resistance: 20mΩ Max.
 - Dielectric withstanding voltage: 500V AC(rms) for 1 minute.
 - Insulation resistance: 1000MΩ Min.
- Environment characteristics:
 - Temperature: -40°C~+105°C.
- Product number code:

DS1004-01 - X X X X X

- X X X X X — Bend type(For single row SMT only)
 - A: R1 Type
 - B: R2 Type
- X — Housing color
 - B: Black
- X — Contact plating
 - 1: Tin 150u"
 - 2: Tin 200u"
 - 3: G/F
 - 4: Gold 3u"
 - 5: Gold 10u"
 - 6: Gold 15u"
- X — Mounting type:
 - V: V/T TYPE
 - R: R/A type
 - S: SMT type
- X — No. of contacts
 - 1x1 - 1x40
 - 2x2 - 2x40

GENERAL TOLERANCE		ANGLE TOLERANCE		PROJECTION		TITLE	
X.	±0.60	X.	±5°	UNITS	mm	DIP & SMT STRIPS ADAPTOR PITCH 2.00mm	
.X	±0.38	.X	±3°	SHEET SIZE	A4	SERIES	DS1004-01 SERIES
.XX	±0.25	.XX	±2°	晨翔电子有限公司 CONNFLY CONNELY ELECTRONIC CO. LTD			
DRAWING TYPE		CUSTOMER					
SCALE	1:1	SHEET	1 OF 1				
DRAWING NO.		C-DS1004-01-XXXXX-C					