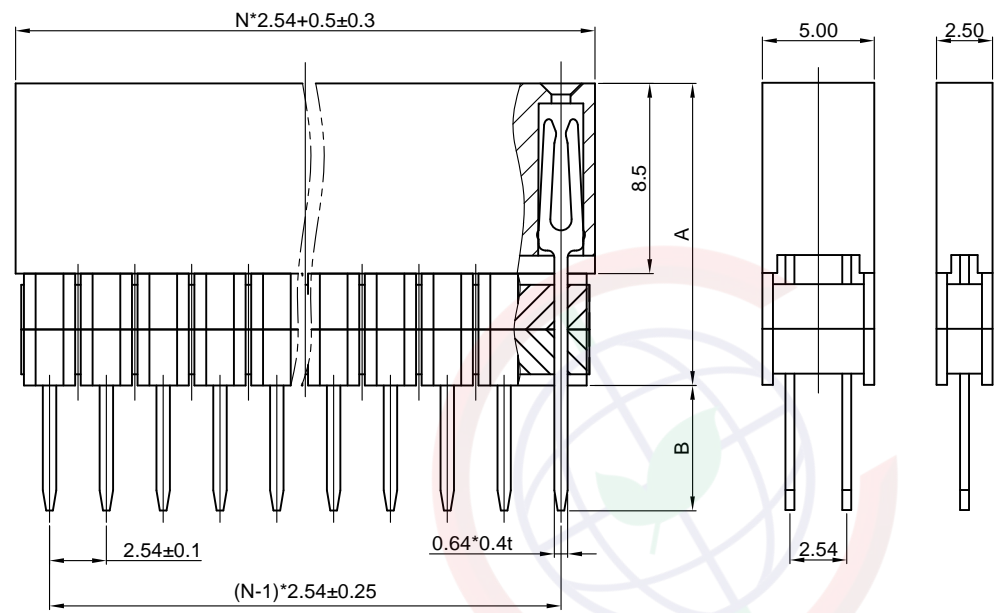


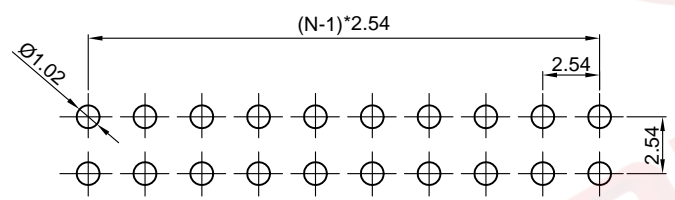
Dept	
Qty	
DC	1
ED	1
IE	1
ISO	1
PD	1
R&D	1
SD	1
QA	1
QC	1
QF	1

The information provided herein is from CONNFLY Electronic Co., Ltd. and is confidential. Any disclosure to a party other than the recipient is prohibited. The intellectual properties and its rights are reserved by CONNFLY Electronic Co., Ltd. All intellectual properties provided herein are for reference purposes only and does not constitute authorization of its use or modification. CONNFLY may enforce its intellectual property rights at its own discretion; failures or delays to exercise such rights does not constitute a waiver of such rights.

REV.	DESCRIPTION	DRAWN	CHECKED	APPROVED
A	NEW RELEASE	YCH 03/07/07'		LJC 03/07/07'
B	PLATING CHANGE	JLZ 08/19/15'	HZW 08/19/15'	LJC 08/19/15'
C	DRAWING UPDATE	JLZ 12/27/18'		



N=Number of contacts/2 (Double Row)  
N=Number of contacts (Single Row)



Recommend PCB layout  
(Tolerance:±0.05)



(Series Image-Reference Only)

Type	Dimension	
	A	B
1	13.50	6.50
X	X	X

Notes:

Specifications:

- Contact Resistance: 20mΩ Max.
- Insulation Resistance: 1000MΩ Min.
- Dielectric Withstanding Voltage: 600V AC(rms)  
For 1 Minute.
- Current Rating:3A.
- Temperature: -40°C~+105°C.

Materials:

- Contact Material: Copper Alloy.
- Contact Plating: Gold Plating Over Nickel.
- Insulator Material: PBT or PA-9T,Black,UL94-V0.

Product Number Code:

DS1023-05 - X X X X

- DIM. type  
1:Type 1  
or A\*.\*-B\*.\*
- Contact plating  
2: Gold + Nickel  
8: Full gold flash
- Housing color  
B: Black
- No.of contacts  
1x2-1x40  
2x2-2x40

GENERAL TOLERANCE		ANGLE TOLERANCE		PROJECTION		TITLE	
X.	±0.60	X.	±5°	UNITS	mm	Female Header 2.54mm V/T Stack Type	
.X	±0.38	.X	±3°	SHEET SIZE	A4	SERIES	DS1023-05 SERIES
.XX	±0.25	.XX	±2°	<b>晨翔电子有限公司</b> <b>CONNFLY CONNFLY ELECTRONIC CO. LTD</b>			
DRAWING TYPE		CUSTOMER					
SCALE	1:1	SHEET	1 OF 1				
DRAWING NO.		C-DS1023-05-XXXX-C					