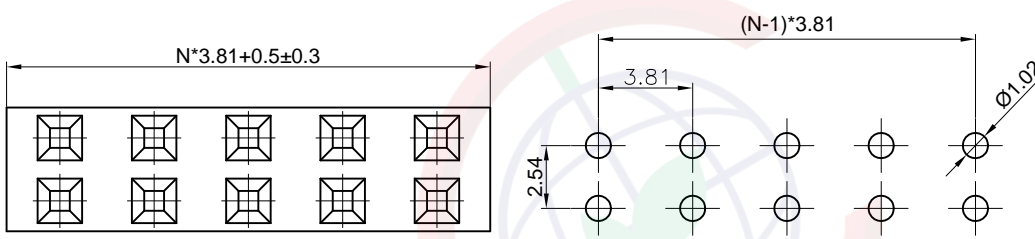


Dept	Qty
DC	1
ED	1
IE	1
ISO	1
PD	1
R&D	1
SD	1
QA	1
QC	1
QE	1

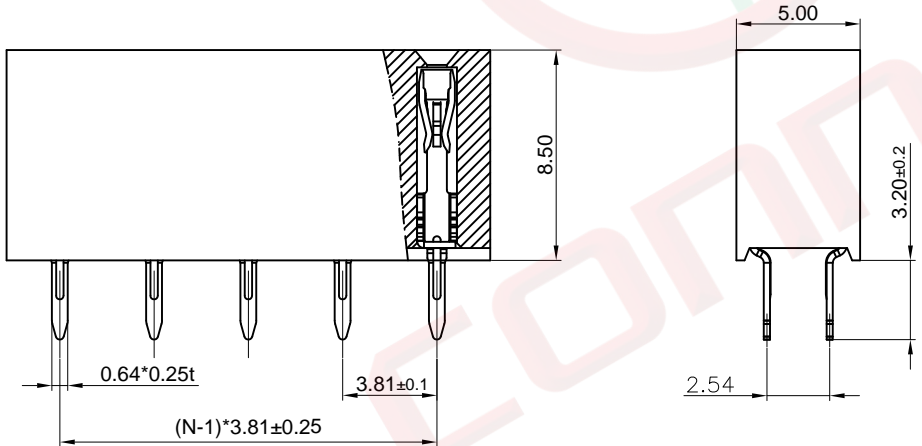
REV.	DESCRIPTION	DRAWN	CHECKED	APPROVED
A	NEW RELEASE	JLZ 03/05/16'	HZW 03/05/16'	LJC 03/05/16'
B	DRAWING UPDATE	JLZ 01/22/19'		

The information provided herein is from CONNELY Electronic Co., Ltd. and is confidential. Any disclosure to a party other than the recipient is prohibited. The intellectual properties and its rights contained herein, including but not limited to, trademarks, patents, copyrights, trade secrets, and technical know-how, are owned exclusively by CONNELY or its affiliates. Unauthorized use of the information herein, in any form or by any means, without the prior written consent of CONNELY, may constitute a violation of applicable laws and regulations. CONNELY may enforce its intellectual property rights at its own discretion, failures or delays to exercise such rights does not constitute a waiver of such rights.



Recommend PCB layout
(Tolerance:±0.05)

N=No.of Contacts/2



(Series Image-Reference Only)

Notes:

Specifications:

- Contact Resistance: 20mΩ Max.
- Insulation Resistance: 1000MΩ Min.
- Dielectric Withstanding Voltage: 600V AC(rms) For 1 Minute.
- Current Rating:3A.
- Temperature: -40°C~+105°C.

Materials:

- Contact Material: Copper Alloy.
- Contact Plating: Gold Plating Over Nickel.
- Insulator Material: PBT,Black,UL94-V0.

Product Number Code:

DS1023-38 - X X X X X X

- Packing type
B: Tube
T: Tray
- Housing color
B: Black
- Contact plating
8: Full gold flash
- Mounting type
V: Vertical through
- Connector type
S: Socket
- No.of contacts
2x2 - 2x20

GENERAL TOLERANCE		ANGLE TOLERANCE	
X.	±0.60	X.	±5°
.X	±0.38	.X	±3°
.XX	±0.25	.XX	±2°
DRAWING TYPE		CUSTOMER	
SCALE	1:1	SHEET	1 OF 1
DRAWING NO.	C-DS1023-38-XXXXXX-B		

PROJECTION	TITLE
	2.54*3.81mm FEMALE HEADER V/T TYPE
UNITS	mm
SHEET SIZE	A4
SERIES	DS1023-38 SERIES

晨翔电子有限公司
CONNELY ELECTRONIC CO. LTD