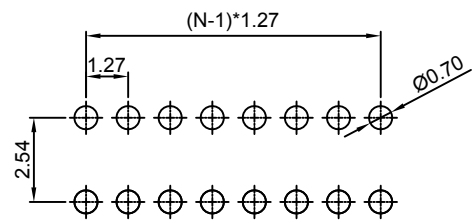
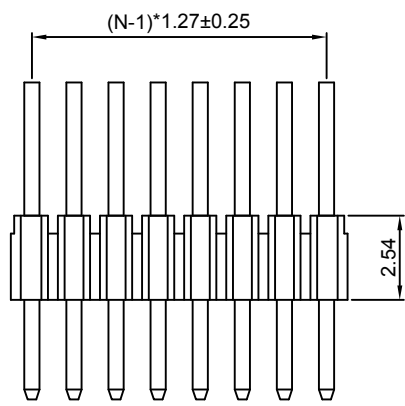
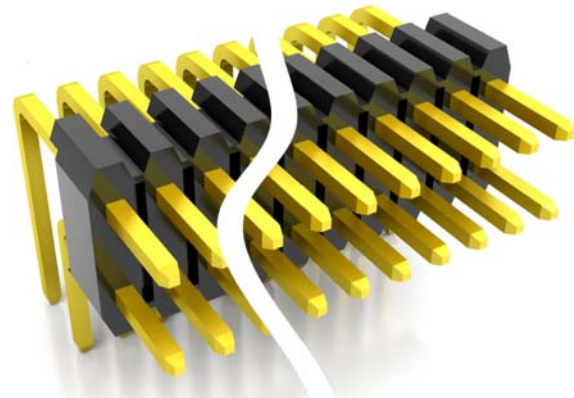
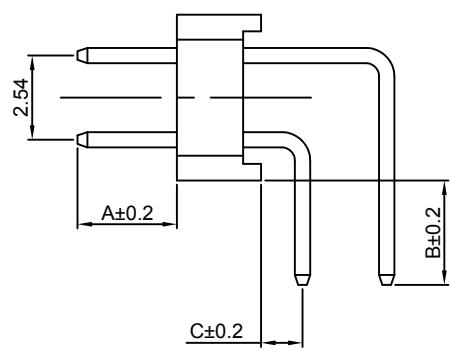
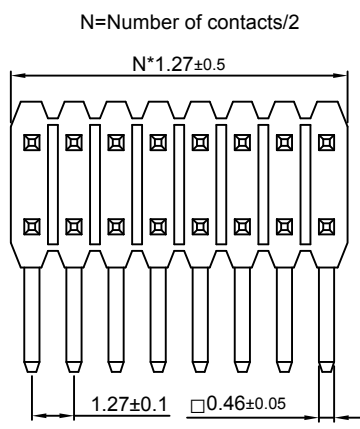


Dept	
Qty	
DC	1
ED	1
IE	1
ISO	1
PD	1
R&D	1
SD	1
QA	1
QC	1
QE	1

The information provided herein is from CONNELY Electronic Co., Ltd. and is confidential. Any disclosure to a party other than the recipient is prohibited. The intellectual properties and its rights contained herein, including but not limited to, trademarks, patents, copyrights, trade secrets, and technical know-how, are owned exclusively by CONNELY or its affiliates. Unauthorized use or reproduction of any part of this document is strictly prohibited. CONNELY may enforce its intellectual property rights at its own discretion, failures or delays in exercising such rights does not constitute a waiver of such rights.



Recommend PCB layout
(Tolerance:±0.05)



(Series Image-Reference Only)

Type	DIM A	DIM B	DIM C
1	3.20	3.65	1.25

REV.	DESCRIPTION	DRAWN	CHECKED	APPROVED
A	NEW RELEASE	JLZ 11/02/15'		LJC 11/02/15'
B	DRAWING UPDATE	JLZ 08/26/20'		

Notes:

Specifications:

- Contact Resistance: 20mΩ Max.
- Insulation Resistance: 1000MΩ Min.
- Dielectric Withstanding Voltage: 300V AC(rms) For 1 Minute.
- Current Rating:0.75A.
- Temperature: -40°C~+105°C.

Materials:

- Contact Material: Copper Alloy.
- Contact Plating: Gold Plating Over Nickel.
- Insulator Material: PA-9T,Black,UL94-V0.

Product Number Code:

DS1031-42 - X X X X X - 3A

- DIM.A B C type
1:Type 1
or A*-*B*-*C*.*
- Mounting type
R:R/A type
- Housing color
B:Black
- Contact plating
8: Full gold flash
- Connector type
P:Plug
- No.of contacts
2x2-2x40

GENERAL TOLERANCE		ANGLE TOLERANCE		PROJECTION	TITLE
X.	±0.60	X.	±5°		1.27*2.54mm Pin Header R/A Type
.X	±0.38	.X	±3°	mm	
.XX	±0.25	.XX	±2°	A4	
DRAWING TYPE		CUSTOMER		SHEET	SERIES
SCALE		1:1		1 OF 1	DS1031-42 SERIES
DRAWING NO.		C-DS1031-42-XXXXXX-3A-B			

