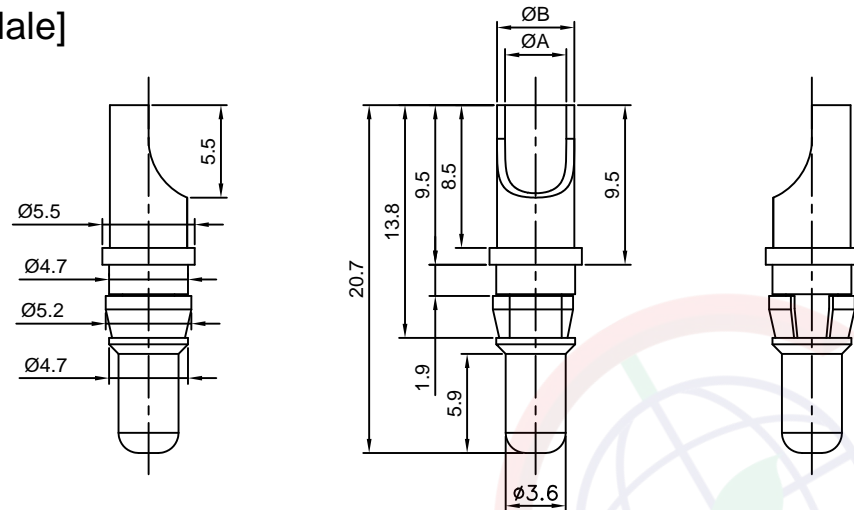
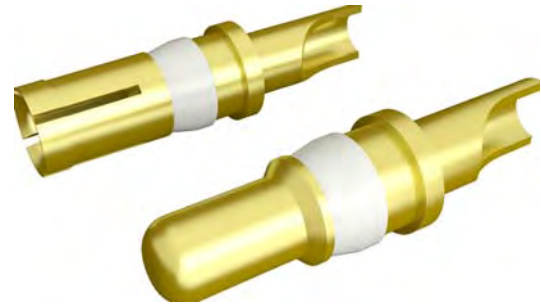
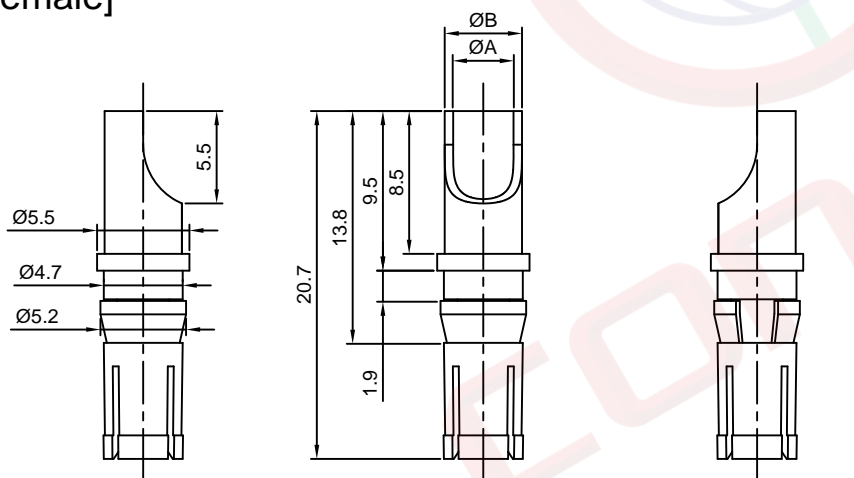


The information provided herein is from CONNELY Electronic Co., Ltd. and is confidential. Any disclosure to a party other than the recipient is prohibited. The intellectual properties and its rights contained herein, including but not limited to, trademarks, patents, copyrights, trade secrets, and technical know-how, are owned exclusively by CONNELY or its affiliates. Unauthorized use or reproduction of any part of this document is strictly prohibited. CONNELY may enforce its intellectual property rights at its own discretion, failures or delays to exercise such rights does not constitute a waiver of such rights.

[Male]



[Female]



(Series Image-Reference Only)

REV.	DESCRIPTION	DRAWN	CHECKED	APPROVED
A	NEW RELEASE	JLZ 07/21/14'		HZW 07/21/14'
B	DRAWING UPDATE	JLZ 08/31/20'		

NOTES:

- Electrical characteristics:
 - Contact resistance: 10mΩ Max. Initial.
 - Current rating: 10~40A .
 - Voltage rating: 300V.
- Environment characteristics:
 - Temperature range: -40° C ~ +105° C.
- Mechanical characteristics:
 - Durability: 500 cycles.
- Materials:
 - Contact: Copper alloy
 - Clip: Copper alloy.
- Part number code:

DS1033-12 - X X X

- Current rating
1: 10A 2: 20A
3: 30A 4: 40A
- Contact plating
8: Full gold flash
C: Full 3u" gold
J: Full 5u" gold
- Connector type
M: Male
F: Female

TYPE	CURRENT RATING	ØA	ØB
1	10A	Ø1.7	Ø2.5
2	20A	Ø2.6	Ø3.6
3	30A	Ø3.4	Ø4.4
4	40A	Ø4.6	Ø5.5

GENERAL TOLERANCE	ANGLE TOLERANCE	PROJECTION		TITLE	Machine Pin
X. ±0.60	X. ±5°	UNITS	mm	Solder Type Terminals	
.X ±0.38	.X ±3°	SHEET SIZE	A4	SERIES	DS1033-12 SERIES
.XX ±0.25	.XX ±2°	晨翔电子有限公司 CONNFLY CONNELY ELECTRONIC CO. LTD			
DRAWING TYPE	CUSTOMER				
SCALE	1:1				
DRAWING NO.	C-DS1033-12-XXX-B				