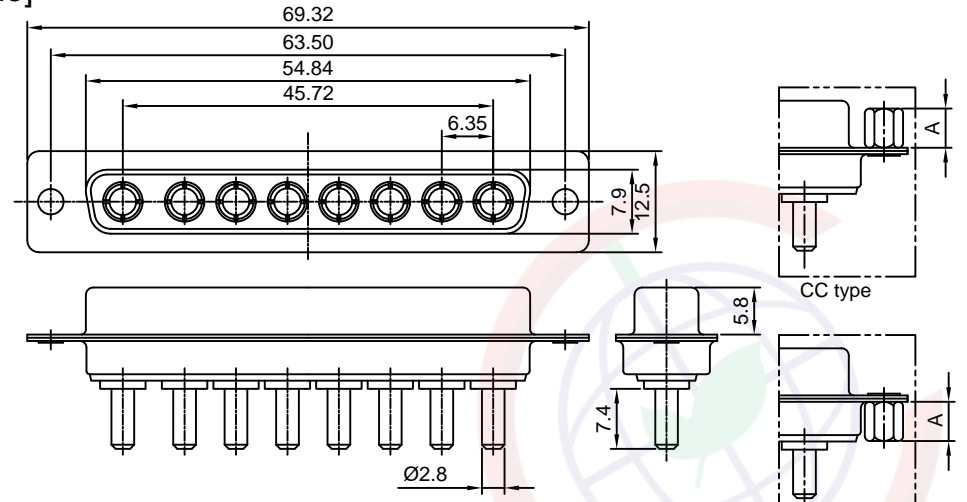
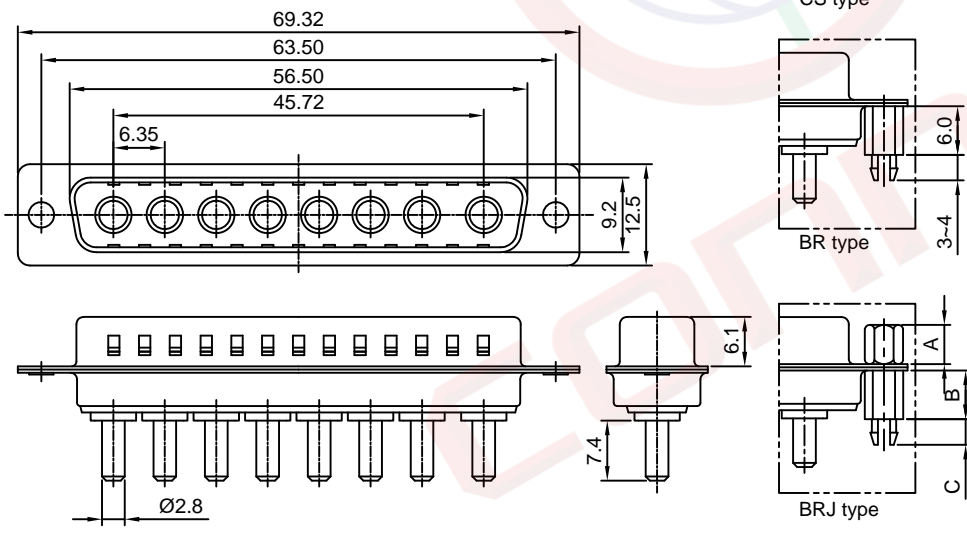


Dept	
Qty	
DC	1
ED	1
IE	1
ISO	1
PD	1
R&D	1
SD	1
QA	1
QC	1
QF	1

[Female]



[Male]



(Series Image-Reference Only)

REV.	DESCRIPTION	DRAWN	CHECKED	APPROVED
A	NEW RELEASE	LJC 01/17/09'		LJC 01/17/09'
B	DRAWING UPDATE	JLZ 09/08/20'		

Notes:

- Electrical characteristics:
 - Contact resistance: 20mΩ Max. Initial.
 - Dielectric withstanding voltage: 500V AC(rms)for 1 minute.
 - Insulation resistance: 1000MΩ Min.
 - Current rating: 40A
 - Voltage rating: 300V
- Environment characteristics:
 - Temperature range: -40° C ~ +105° C.
- Mechanical characteristics:
 - Durability: 500 cycles.
 - Contact retention force: 1Kgf Minimum.
- Materials:
 - Shell: SPCC.
 - Contact: Copper alloy.
 - Insulator: Thermoplastic UL 94V-0,Glass fiber filled.
- Part number code:

DS1034-21- X X X X X X

- Screw Dim. A
- S: Standard(W/O nut)
- 4: 4.80
- 5: 5.80
- Screw type
- S: Standard(W/O nut)
- 1: CC type
- 2: CS type
- 3: BR type
- 4: BRJ type Dim. B:6.00 C: 3~4mm
- 5: BRJ type Dim. B:6.00 C: 5~6mm
- Contact plating
- 8: Full gold flash
- Shell plating
- N: Fornt shell nickel,Back shell tin
- Housing color
- B: Black
- Connector type
- M: Male
- F: Female

GENERAL TOLERANCE		ANGLE TOLERANCE	
X.	±0.60	X.	±5°
.X	±0.38	.X	±3°
.XX	±0.25	.XX	±2°
DRAWING TYPE		CUSTOMER	
SCALE	1:1	SHEET	1 OF 1
DRAWING NO.	C-DS1034-21-XXXXXX-B		

PROJECTION		TITLE	MACHINE PIN D-SUB 8P
UNITS	mm		V/T TYPE
SHEET SIZE	A4	SERIES	DS1034-21 SERIES

晨翔电子有限公司
CONFLY CONNFLY ELECTRONIC CO. LTD

The information provided herein is from CONNFLY Electronic Co., Ltd. and is confidential. Any disclosure to a party other than the recipient is prohibited. The intellectual properties and its rights contained herein, including but not limited to, trademarks, patents, copyrights, trade secrets, and technical know-how, are owned exclusively by CONNFLY or its affiliates. Unauthorized use or reproduction of any part of this document, in any form or by any means, without the prior written permission of CONNFLY, may result in legal action. CONNFLY may enforce its intellectual property rights at its own discretion, failures or delays in exercising such rights does not constitute a waiver of such rights.