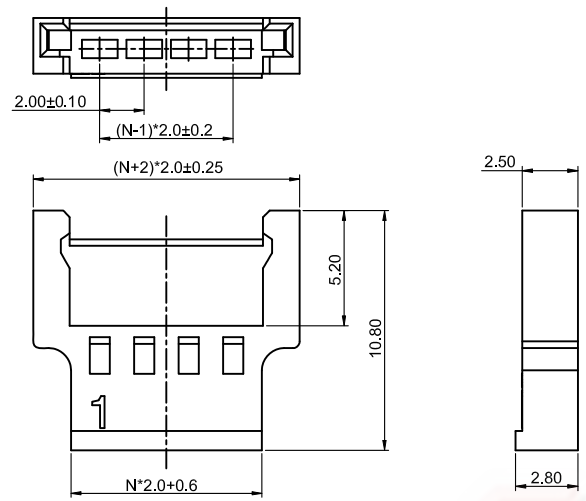


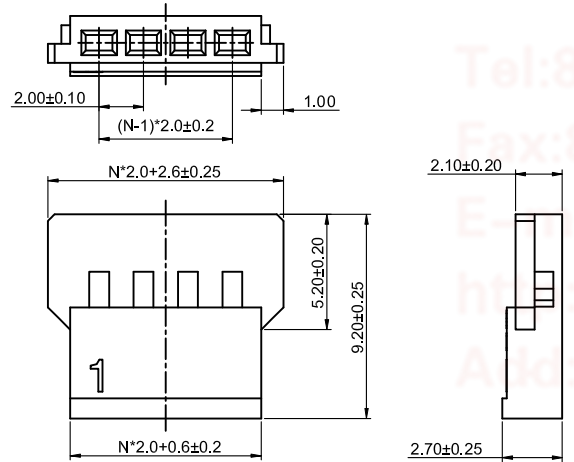
Male Housing

N=No.of contact



Female Housing

N=No.of contact

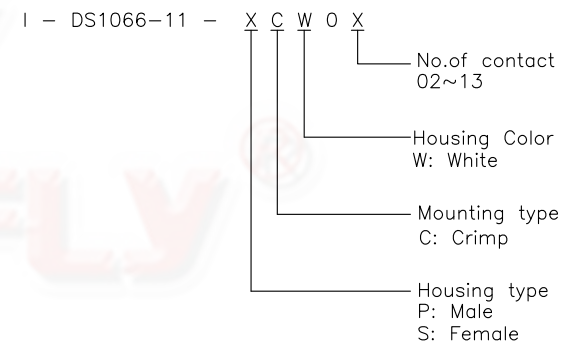


REV.	DESCRIPTION	DRAWN	CHECKED	APPROVED
A	NEW RELEASE	JLZ 09/04/17'	~	

NOTES:

- MAIN SPECIFICATIONS
 - Housing material: NYLON 66
 - Rated voltage: 125V
 - Rated current: 2A
 - Contact resistance: $\leq 30m\Omega$
 - Insulation resistance: $\geq 1000M\Omega$
 - Withstanding voltage: 500V,AC 1 minute
 - Temperature range: $-25 \sim +85^{\circ}C$

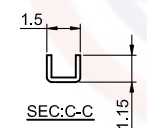
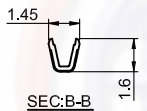
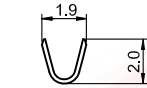
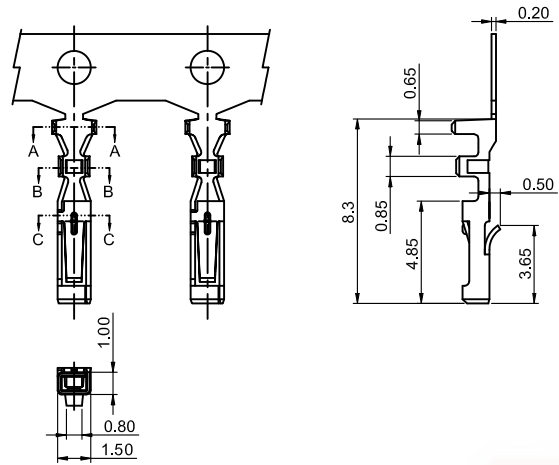
2. PRODUCT NUMBER CODE:



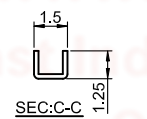
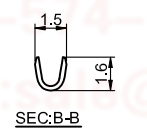
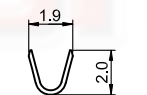
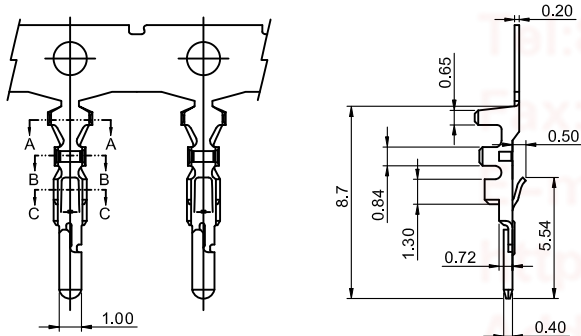
Tel:86-574-63508787
 Fax:86-574-6351117
 E-mail:sales@connfly.com
 http://www.connfly.com
 Add: East Industry Zone KuangYan
 Town Cixi Ningbo China
 P.C:315335

GENERAL TOLERANCE		ANGLE TOLERANCE		PROJECTION		TITLE	2.00mm Wire To Wire Connector Type	
X.	±0.60	X.	±5°	UNITS	mm			
.X	±0.38	.X	±3°	SHEET SIZE	A4	SERIES	DS1066-11 SERIES	
.XX	±0.25	.XX	±2°	晨翔电子有限公司 CONNFLY CONNFLY ELECTRONIC CO. LTD				
DRAWING TYPE		CUSTOMR						
SCALE	1:1	SHEET	1 OF 2					
DRAWING NO.		C-DS1066-11-XXXXX-A						

Female Terminal



Male Terminal



REV.	DESCRIPTION	DRAWN	CHECKED	APPROVED
A	NEW RELEASE	JLZ 04/11/17'	~	

NOTES:

1. MAIN SPECIFICATIONS

- . Terminal material: Copper alloy
- . Rated voltage: 125V
- . Rated current: 1A
- . Contact resistance: $\leq 30m\Omega$
- . Insulation resistance: $\geq 1000M\Omega$
- . Withstanding voltage: 500V,AC 1 minute
- . Temperature range: $-25 \sim +85^{\circ}C$
- . Wire range: 24~28 AWG

2. PRODUCT NUMBER CODE:


T - DS1066-11 - X C X 0 0

- Plating type
- 6: Tin
- 8: Gold flash
- Mounting type
- C: Crimp
- Terminal type
- P: Male
- S: Female

GENERAL TOLERANCE		ANGLE TOLERANCE	
X.	± 0.60	X.	$\pm 5^{\circ}$
.X	± 0.38	.X	$\pm 3^{\circ}$
.XX	± 0.25	.XX	$\pm 2^{\circ}$

PROJECTION	TITLE
UNITS	2.00mm Wire To Wire Connector Type
SHEET SIZE	SERIES DS1066-11 SERIES

DRAWING TYPE	CUSTOMR
SCALE	1:1 SHEET 2 OF 2
DRAWING NO.	C-DS1066-11-XXXXX-A


晨翔电子有限公司
CONNFLY CONNFLY ELECTRONIC CO. LTD