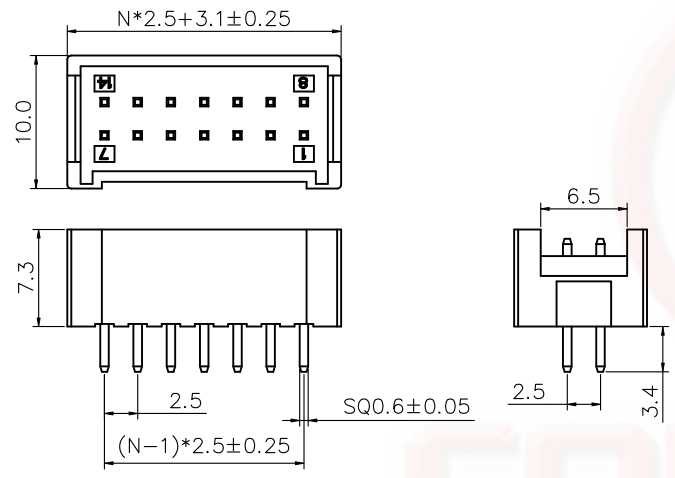


REV.	DESCRIPTION	DRAWN	CHECKED	APPROVED
A	NEW RELEASE	JLZ 03/03/16'		

V/T type

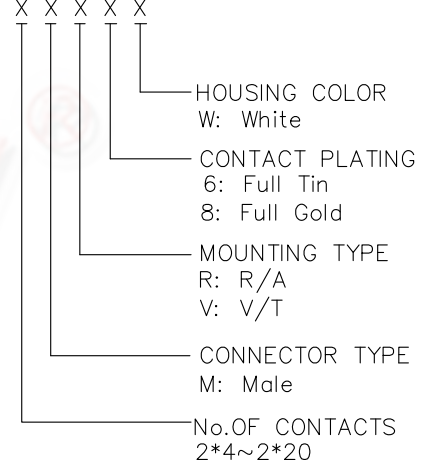
N=No.OF CONTACTS/2



NOTES:

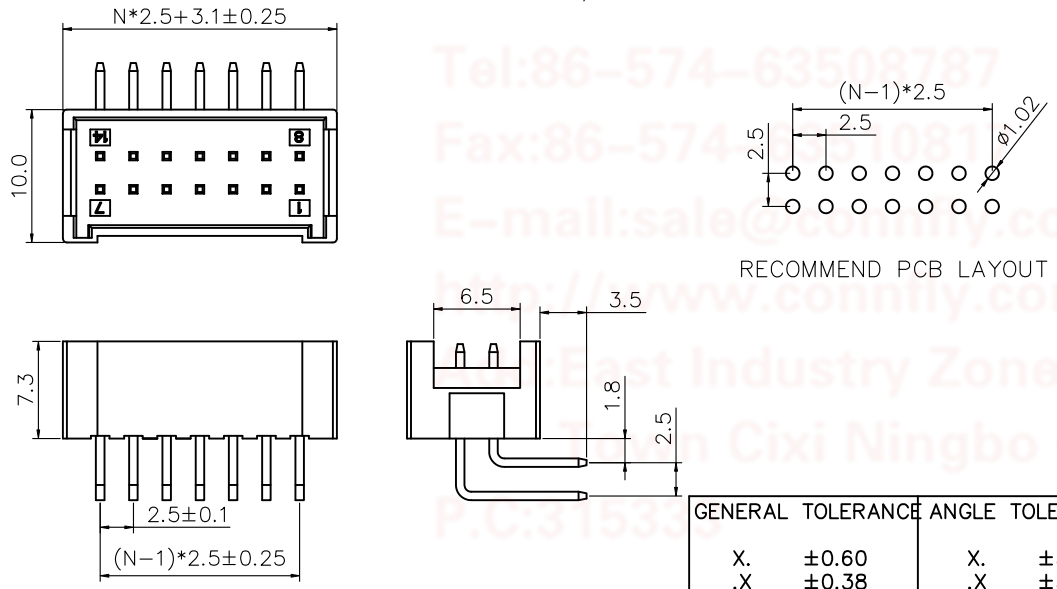
- Materials:
 - Housing material: NYLON 66
 - Contact: Copper Alloy
- Specifications:
 - Current Rating: 3A
 - Voltage Rating: 250V AC/DC
 - Contact Resistance: 20mΩ Max.(Connector Only)
 - Insulation resistance: 1000MΩ Min.
- Product Number Code:

DS1069-07 - X X X X X



R/A type

N=No.OF CONTACTS/2



RECOMMEND PCB LAYOUT

GENERAL TOLERANCE		ANGLE TOLERANCE		PROJECTION		TITLE	2.5mm NEW XH TYPE DOUBLE ROW TYPE
X.	±0.60	X.	±5°	UNITS	mm	SHEET SIZE	A4
.X	±0.38	.X	±3°	SERIES DS1069-07 SERIES			
.XX	±0.25	.XX	±2°				
DRAWING TYPE		CUSTOMER		晨翔电子有限公司 CONNFLY CONNFLY ELECTRONIC CO., LTD			
SCALE	1:1	SHEET	1 OF 1				
DRAWING NO.	C-DS1069-07-XXXXXXX-A						