

The information provided herein is from CONNFLY Electronic Co., Ltd. and is confidential. Any disclosure to a party other than the recipient is prohibited. The intellectual properties and its rights contained herein, including but not limited to, trademarks, patents, copyrights, trade secrets, and technical know-how, are owned exclusively by CONNFLY or its affiliates. Unauthorized use or reproduction of this information in any format or manner. CONNFLY may enforce its intellectual property rights at its own discretion; failures or delays to exercise such rights does not constitute a waiver of such rights.

1 2 3 4 5 6 7 8

REV.	DESCRIPTION	DRAWN	CHECKED	APPROVED
A	NEW RELEASE	QHZ 01/02/19'		

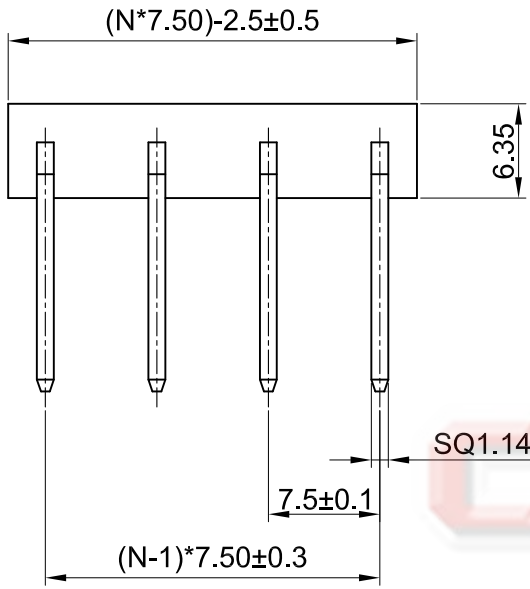


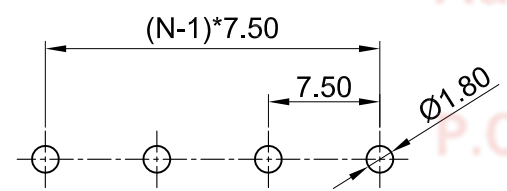
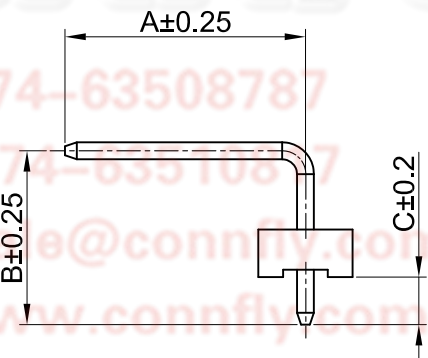
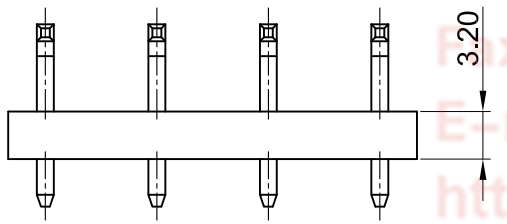
TABLE A:

TYPE	Dimension		
	A	B	C
1	16.20	8.50	3.20
2	16.95	8.10	3.20

- NOTES:
- MATERIAL
 - INSULATOR: NYLON 66,NATURAL,UL94V-2
 - CONTACT MATERIAL: BRASS, FULL TIN PLATED.
 - SPECIFICATION
 - CURRENT RATING: 7 AMP
 - INSULATION RESISTANCE: 1000MΩ Min
 - DIELECTRIC WITHSTANDING: 1500V AC/minute
 - CONTACT RESISTANCE: 20mΩ Max
 - OPERATING TEMPERATURE: -20°C TO+85°C
 - PRODUCT NUMBER CODE:

DS1075-01- X X X X X X

- Dim. A B C type
- 1: Type 1
- 2: Type 2
- :
- Contact Plating
- 6: Tin
- Housing Color
- T: Transparent
- Mounting type
- R: Right Angle
- Connector type
- M: Male
- No.of contact
- 2~8



Tel:86-574-63508787
 Fax:86-574-6351087
 E-mail:sales@connfly.com
 http://www.connfly.com
 Add:East Industry Zone KuangYan
 Town Cixi Ningbo China
 P.C:315333

GENERAL TOLERANCE		ANGLE TOLERANCE		PROJECTION		TITLE	7.50mm WAFER 2PIN R/A Type		
X.	±0.60	X.	±5°	UNITS	mm	SHEET SIZE	A4	SERIES	DS1075-01 SERIES
.X	±0.38	.X	±3°	晨翔电子有限公司 CONNFLY CONNFLY ELECTRONIC CO. LTD					
.XX	±0.25	.XX	±2°						
DRAWING TYPE		CUSTOMER		SCALE					
SCALE		1:1		SHEET		1 OF 1			
DRAWING NO.		C-DS1075-01-XXXXXX-A							

1 2 3 4 5 6 7 8