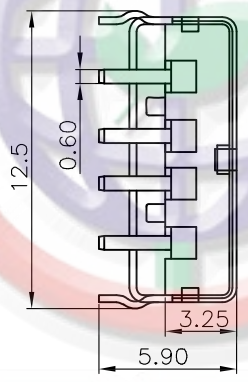
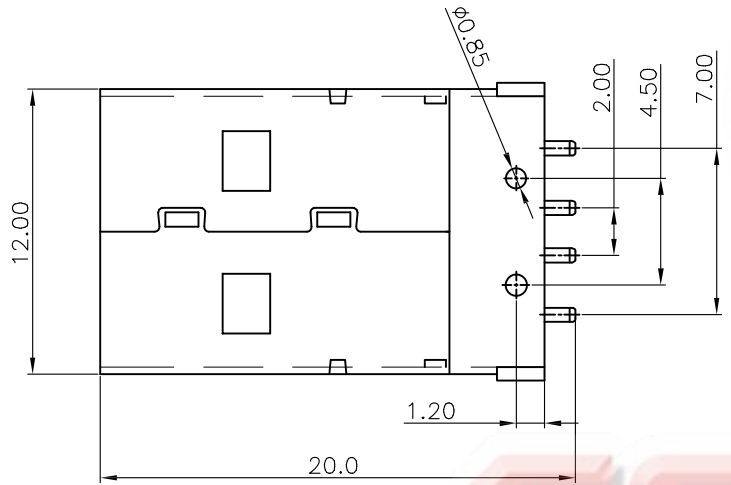


REV.	DESCRIPTION	DRAWN	CHECKED	APPROVED
A	NEW RELEASE	HP 21/06/05		LJC 21/06/05
B	DRAWING UPDATE	JLZ 11/06/17'		

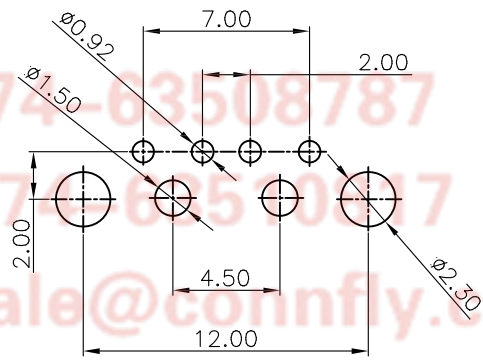
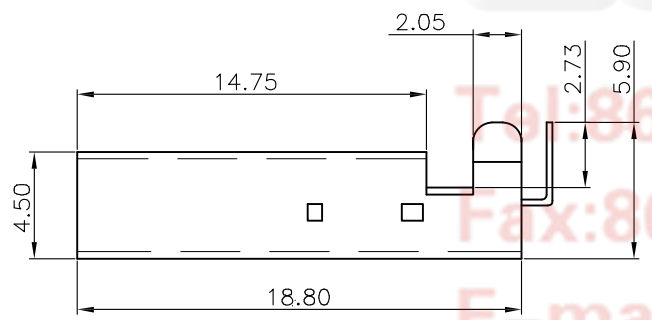
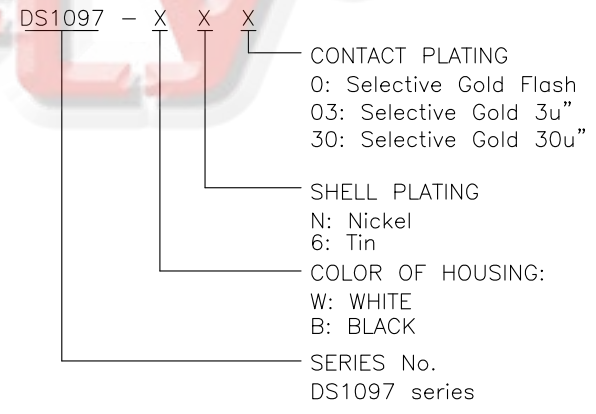


NOTES:

- SPECIFICATIONS:
 - CONTACT RESISTANCE:30mΩ max.
 - INSULATION RESISTANCE:1000MΩ min.
 - CURRENT RATING:1.5A.
 - VOLTAGE RATING:30VDC.
 - DIELECTRIC WITHSTANDING VOLTAGE:AC 500V FOR 1 Minute.

- MATERIALS:
 - HOUSING:THERMOPLASTIC(UL 94 V-0).
 - CONTACT:COPPER ALLOY
 - SHELL:STEEL

3. PRODUCT NUMBER CODE:



RECOMMEND PCB LAYOUT(TOLERANCE±0.05)

GENERAL TOLERANCE		ANGLE TOLERANCE	
X.	±0.60	X.	±5°
.X	±0.38	.X	±3°
.XX	±0.25	.XX	±2°

PROJECTION	TITLE	USB A TYPE MALE RIGHT ANGLE TYPE	
	mm	SHEET	DS1097
UNITS	A4		

DRAWING TYPE	CUSTOMER		
SCALE	1:1	SHEET	1 OF 1
DRAWING NO.	C-DS1097-XXX-B		

晨翔电子有限公司
CONNFLY CONNFLY ELECTRONIC CO. LTD