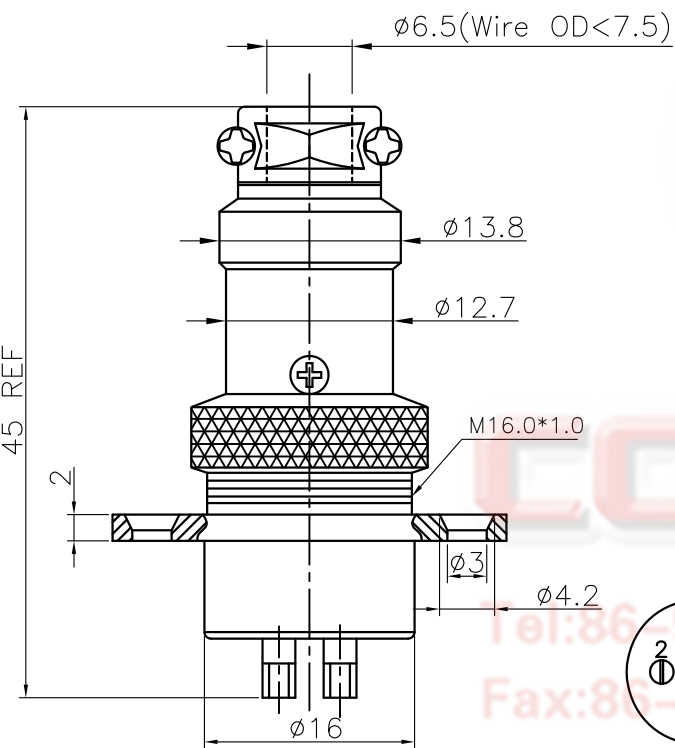


The information provided herein is from CONNELY Electronic Co., Ltd. and is confidential. Any disclosure to a party other than the recipient is prohibited. The intellectual properties and its rights contained herein, including but not limited to, trademarks, patents, copyrights, trade secrets, and technical know-how, are owned exclusively by CONNELY or its affiliates. Unauthorized use of this information in any format or manner. CONNELY may enforce its intellectual property rights at its own discretion; failures or delays to exercise such rights does not constitute a waiver of such rights.

1 2 3 4 5 6 7 8

REV.	DESCRIPTION	DRAWN	CHECKED	APPROVED
A	NEW RELEASE	JLZ 05/20/17'	HZW 05/20/17'	LJC 05/20/17'
B	DRAWING UPDATE	JLZ 11/10/18'		

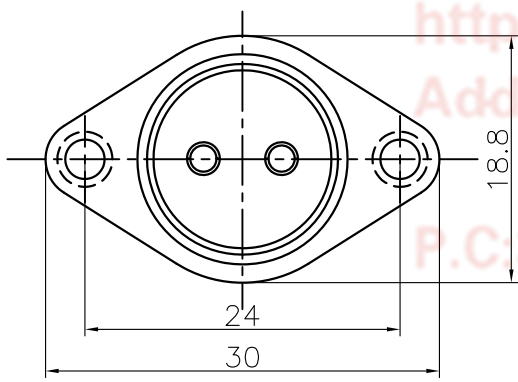
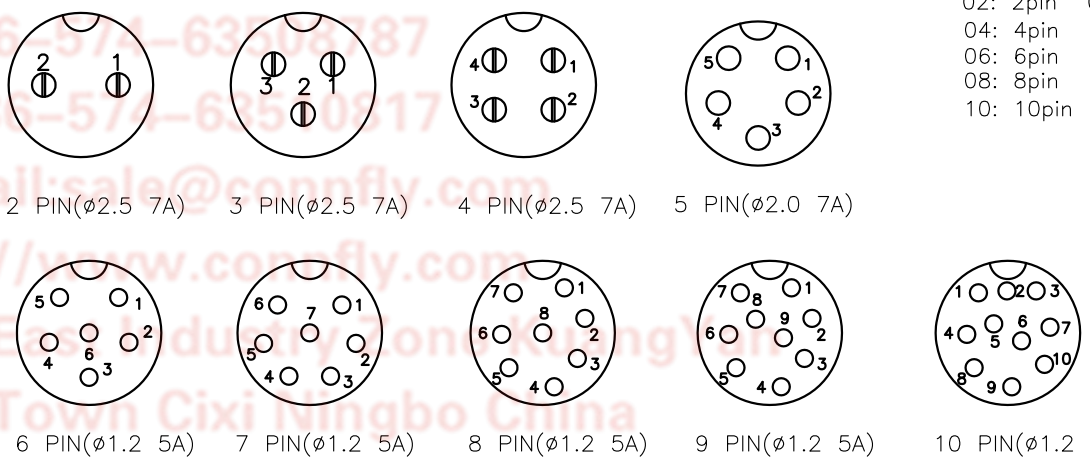


NOTES:

- SPECIFICATION
 - CURRENT RATING: 5A~7A.
 - DIELECTRIC WITH STANDING VOLTAGE: 1000V(AC)
 - CONTACT RESISTANCE: 20mΩ Max.
 - INSULATION RESISTANCE: 1000MΩ(DC)Min
- PRODUCT NUMBER CODE:

DS1110-19 - X X X X

- X — SHELL SURFACE FINISHED
N: Nickel
- X — CONTACT PLATING
6: Silver
- X — COLOR OF HOUSING:
B: Black
- X — No. OF CONTACTS
02: 2pin 03: 3pin
04: 4pin 05: 5pin
06: 6pin 07: 7pin
08: 8pin 09: 9pin
10: 10pin



GENERAL TOLERANCE		ANGLE TOLERANCE		PROJECTION	TITLE
X.	±0.60	X.	±5°		Micro Jack Total Length=45mm Ref(Pin ø1.2~2.5) W/ Rhombus flange receptacle Threaded Type
.X	±0.38	.X	±3°	UNITS	mm
.XX	±0.25	.XX	±2°	SHEET SIZE	A4
DRAWING TYPE				SERIES	
CUSTOMER				DS1110-19 SERIES	
SCALE		SHEET		DRAWING NO.	
1:1		1 OF 1		C-DS1110-19-XXX-B	

晨翔电子有限公司
CONNFLY CONNELY ELECTRONIC CO. LTD

1 2 3 4 5 6 7 8