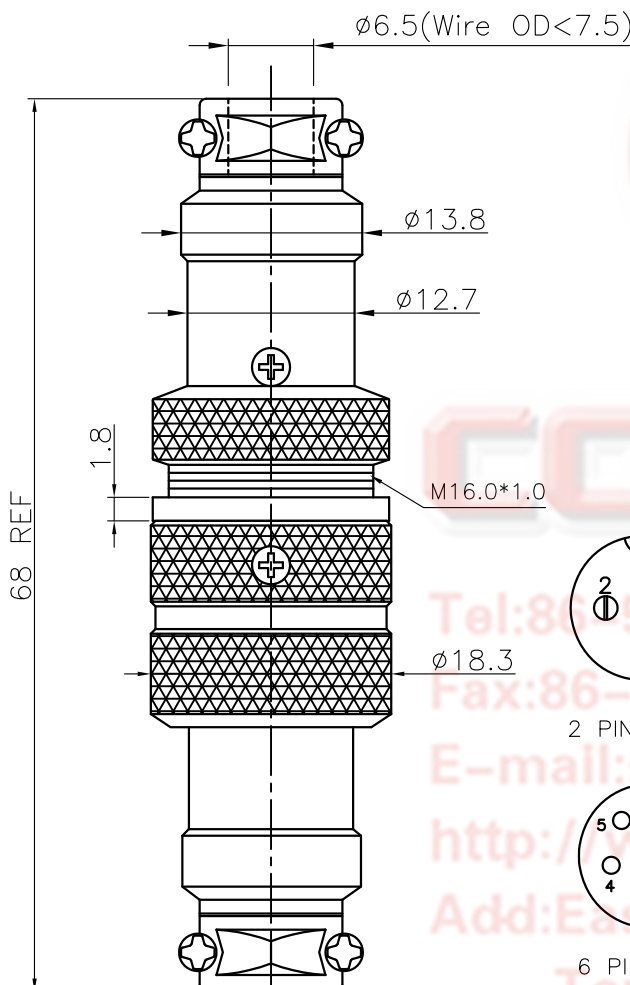


Dept  
 Qty  
 DC 1  
 ED 1  
 IE 1  
 ISO 1  
 PD 1  
 R&D 1  
 SD 1  
 QA 1  
 QC 1  
 QE 1

1 2 3 4 5 6 7 8

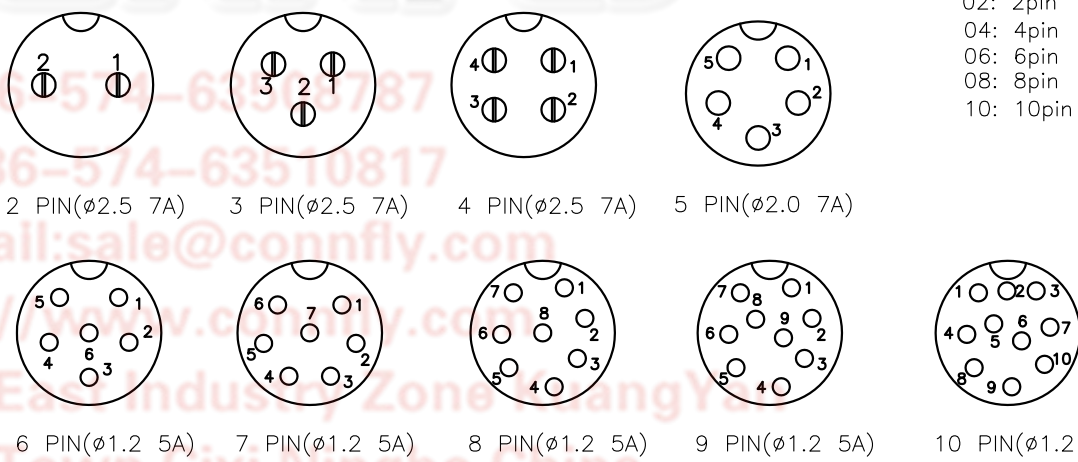
REV.	DESCRIPTION	DRAWN	CHECKED	APPROVED
A	NEW RELEASE	JLZ 05/20/17'	HZW 05/20/17'	LJC 05/20/17'
B	DRAWING UPDATE	JLZ 11/10/18'		



NOTES:

- SPECIFICATION
  - CURRENT RATING: 5A~7A.
  - DIELECTRIC WITH STANDING VOLTAGE: 1000V(AC)
  - CONTACT RESISTANCE: 20mΩ Max.
  - INSULATION RESISTANCE: 1000MΩ(DC)Min
- PRODUCT NUMBER CODE:

DS1110-21 - X X X X  
 X: SHELL SURFACE FINISHED  
   N: Nickel  
 X: CONTACT PLATING  
   6: Silver  
 X: COLOR OF HOUSING  
   B: Black  
 X: No. OF CONTACTS  
   02: 2pin 03: 3pin  
   04: 4pin 05: 5pin  
   06: 6pin 07: 7pin  
   08: 8pin 09: 9pin  
   10: 10pin



Tel: 86-574-6350737  
 Fax: 86-574-63510817  
 E-mail: sale@connfly.com  
 http://www.connfly.com  
 Add: East Industrial Zone, Xiangyu  
 Town Cixi Ningbo China  
 P.C: 315333

GENERAL TOLERANCE		ANGLE TOLERANCE		PROJECTION		TITLE	Micro Jack Total Length=68mm Ref (Pin $\phi 1.2 \sim 2.5$ ) Wire To Wire Threaded Type
X.	$\pm 0.60$	X.	$\pm 5'$	UNITS	mm		
.X	$\pm 0.38$	.X	$\pm 3'$	SHEET SIZE	A4	SERIES	DS1110-21 SERIES
.XX	$\pm 0.25$	.XX	$\pm 2'$	晨翔电子有限公司 <b>CONNFLY CONNFLY ELECTRONIC CO. LTD</b>			
DRAWING TYPE		CUSTOMER					
SCALE	1:1	SHEET	1 OF 1				
DRAWING NO.		C-DS1110-21-XXXX-B					

晨翔电子有限公司  
**CONNFLY CONNFLY ELECTRONIC CO. LTD**

1 2 3 4 5 6 7 8