

REV.	DESCRIPTION	DRAWN	CHECKED	APPROVED
A	NEW RELEASE	LL 11/16/06'		LJC 11/16/06'
B	DRAWING UPDATE	JLZ 05/17/17'		

NOTES:

1. SPECIFICATIONS

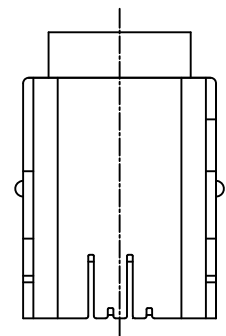
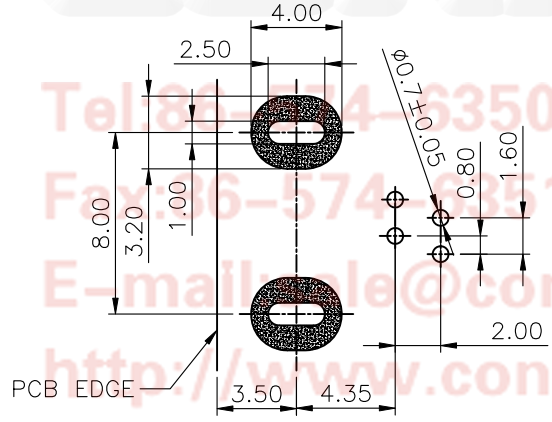
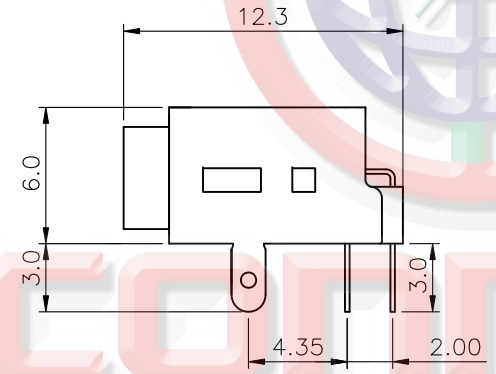
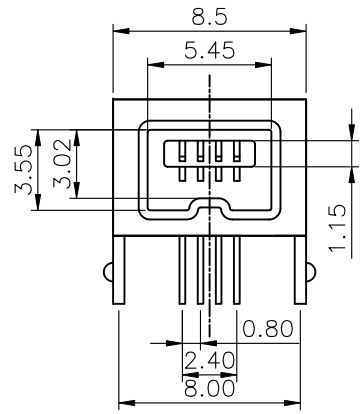
- Contact Resistance: 50mΩ max
- Insulator Resistance: 100MΩ min.
- Current Rating: 0.5A per pin max.
- Rated Voltage: 30V DC
- Dielectric withstanding voltage: AC 100V For 1 minute
- Contact: Copper Alloy
- Housing: Thermoplastic(UL 94V-0)

2. PRODUCT NUMBER CODE:

DS1111-

X X X

- Contact plating
 - 0: Selective gold flash
 - C: Selective 3u" gold
- Shell plating
 - N: Nickel
 - 6: Tin
- Color of housing
 - B: Black



RECOMMEND PCB LAYOUT(Tolerance=±0.05)

Tel: 86-574-63508787
 Fax: 86-574-63510817
 E-mail: sales@connfly.com
<http://www.connfly.com>
 Add: East Industry Zone KuangYan
 Town Cixi Ningbo China
 P.C: 315335

GENERAL TOLERANCE		ANGLE TOLERANCE		PROJECTION		TITLE	MINI 1394 4PIN FEMALE RIGHT ANGLE	
X.	±0.60	X.	±5°	UNITS	mm	SHEET	DS1111 SERIES	
.X	±0.38	.X	±3°	SHEET SIZE	A4			
.XX	±0.25	.XX	±2°					
DRAWING TYPE		CUSTOMER			晨翔电子有限公司 CONNFLY CONNFLY ELECTRONIC CO. LTD			
SCALE		1:1	SHEET 1 OF 1					
DRAWING NO.		C-DS1111-XXX-B						