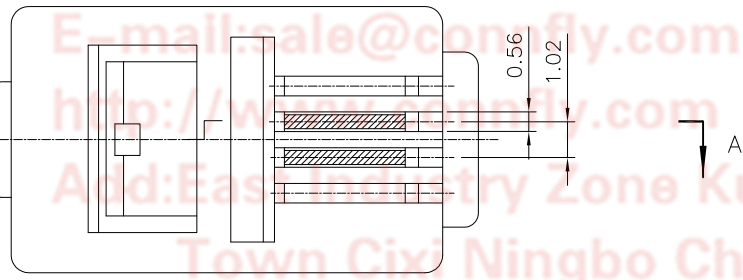
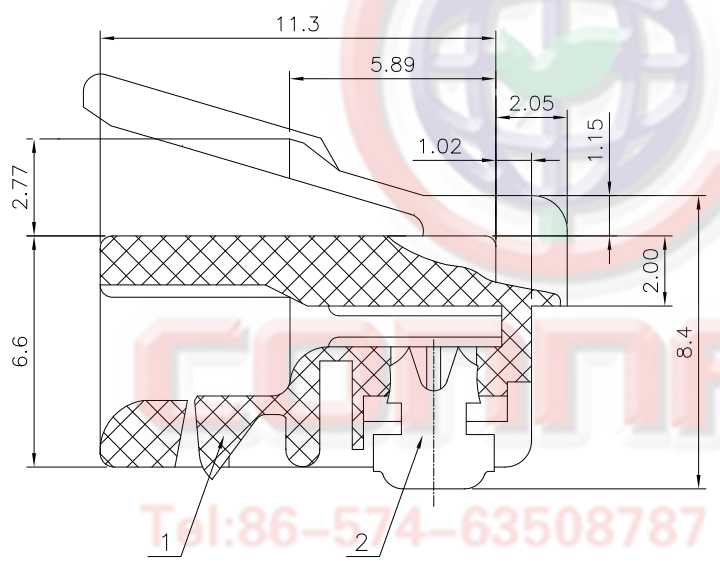
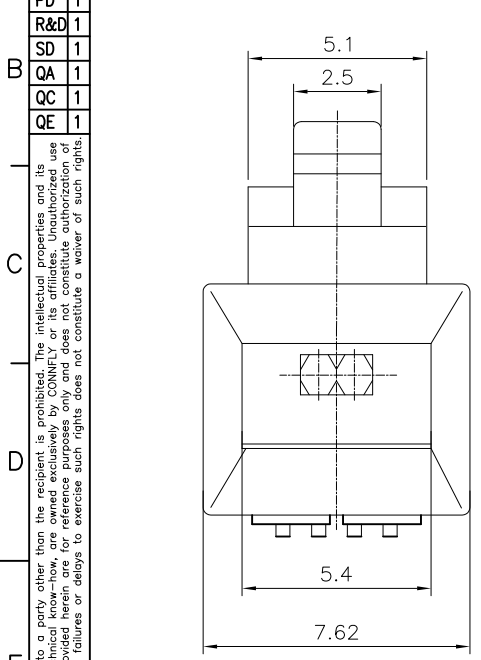


Dept	1	2	3	4	5	6	7	8
Qty								
DC	1							
ED	1							
IE	1							
ISO	1							
PD	1							
R&D	1							
SD	1							
QA	1							
QC	1							
QF	1							

REV.	DESCRIPTION	DRAWN	CHECKED	APPROVED
A	NEW RELEASE	LL 06/28/06'		LJC 06/28/06'
B	DRAWING UPDATE	JLZ 08/14/18'		



SPECIFICATION

- Insulation Resistance:1000MΩ Min.
- Withstand Voltage:500V AC/Minute.
- Durability:600 Cycles Min.
- Contact resistance:50mΩ max.
- Product Number Code:

DS1121-02 - X X X X

- Housing Color
T:Transparent
- Contact Plating
0:Gold Flash 15:15u''Au
3:3u''Au 30:30u''Au
6:6u''Au
- No.Of Contacts
2:4p2c
- Connector Type
P:Plug
- Series No.
DS1121-02

The information provided herein is from CONNELY Electronic Co., Ltd. and is confidential. Any disclosure to a party other than the recipient is prohibited. The intellectual properties and its rights contained herein, including but not limited to, trademarks, patents, copyrights, trade secrets, and technical know-how, are owned exclusively by CONNELY or its affiliates. Unauthorized use of this information in any format or manner. CONNELY may enforce its intellectual property rights at its own discretion; failures or delays to exercise such rights does not constitute a waiver of such rights.

Tel:86-574-63508787
 Fax:86-574-63510817
 E-mail:sale@connely.com
 http://www.connely.com
 Add:East Industry Zone KuangYan
 Town Cixi Ningbo China
 P.C:315333

GENERAL TOLERANCE		ANGLE TOLERANCE	
X.	±0.60	X.	±5°
.X	±0.38	.X	±3°
.XX	±0.25	.XX	±2°

PROJECTION		TITLE	Plug 4P2C Round Type
UNITS	mm	SHEET SIZE	A4
SHEET SIZE	A4	SERIES	DS1121-02 SERIES

(2)	BLADE	2	Copper alloy	GOLD PLATING	DRAWING TYPE	CUSTOMER		
(1)	HOUSING	1	PC	UL94 V-0 OR 94 V-2	SCALE	1:1	SHEET	1 OF 1
No.	PART NAME	Q'TY	MATERIAL	REMARK	DRAWING NO.	C-DS1121-02-XXXX-B		

晨翔电子有限公司
CONNFLY CONNELY ELECTRONIC CO. LTD