

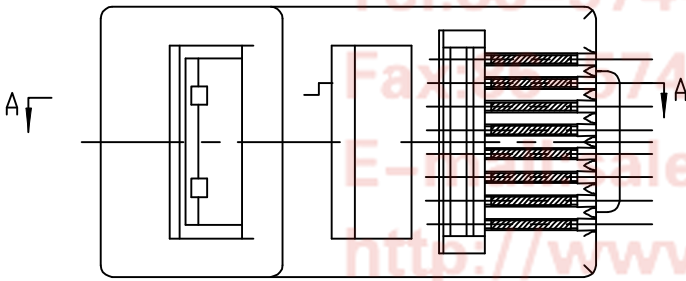
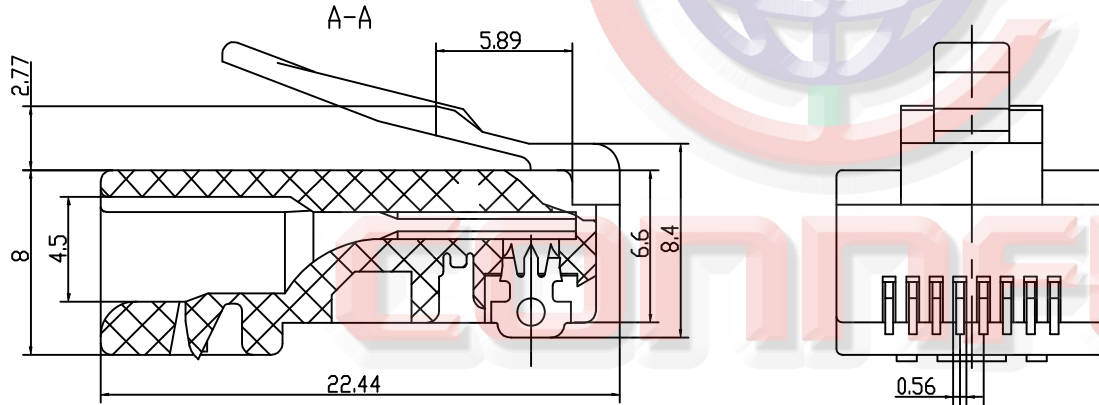
REV.	DESCRIPTION	DRAWN	CHECKED	APPROVED
A	NEW RELEASE	JLZ 09/22/16'		

SPECIFICATION

1. Insulation Resistance:1000MΩ Min.
2. Withstand Voltage:500V AC/Minute.
3. Durability:600 Cycles Min.
4. Contact resistance:50mΩ max.
5. Product Number Code:

DS1123-28 - X X X X X

- UL Rating
  - A: UL94 V-0
  - B: UL94 V-2
- Housing Color
  - T:Transparent
- Contact Plating
  - 0:Gold Flash 15:15u''Au
  - 3:3u''Au 30:30u''Au
  - 6:6u''Au 50:50u''Au
- No.Of Contacts
  - 8:8p8c
- Connector Type
  - P:Plug



Tel:86-574-63508787

Fax:86-574-63510817

E-mail:connfly@connfly.com

http://www.connfly.com

Add:East Industry Zone KuangYan


Town Cixi Ningbo China

P.C:315333

No.	PART NAME	Q'TY	MATERIAL	REMARK
(2)	BLADE	8	Copper alloy	GOLD PLATING
(1)	HOUSING	1	PC	UL94 V-0 OR 94 V-2

GENERAL TOLERANCE		ANGLE TOLERANCE	
X.	±0.60	X.	±5°
.X	±0.38	.X	±3°
.XX	±0.25	.XX	±2°
DRAWING TYPE		CUSTOMER	
SCALE		1:1	SHEET 1 OF 1
DRAWING NO.		C-DS1123-28-XXXX-A	

PROJECTION	TITLE
UNITS mm	PLUG 8P8C ROUND TYPE W/O SHELL
SHEET SIZE A4	SERIES DS1123-28 SERIES

 晨翔电子有限公司  
**CONNFLY CONNFLY ELECTRONIC CO. LTD**