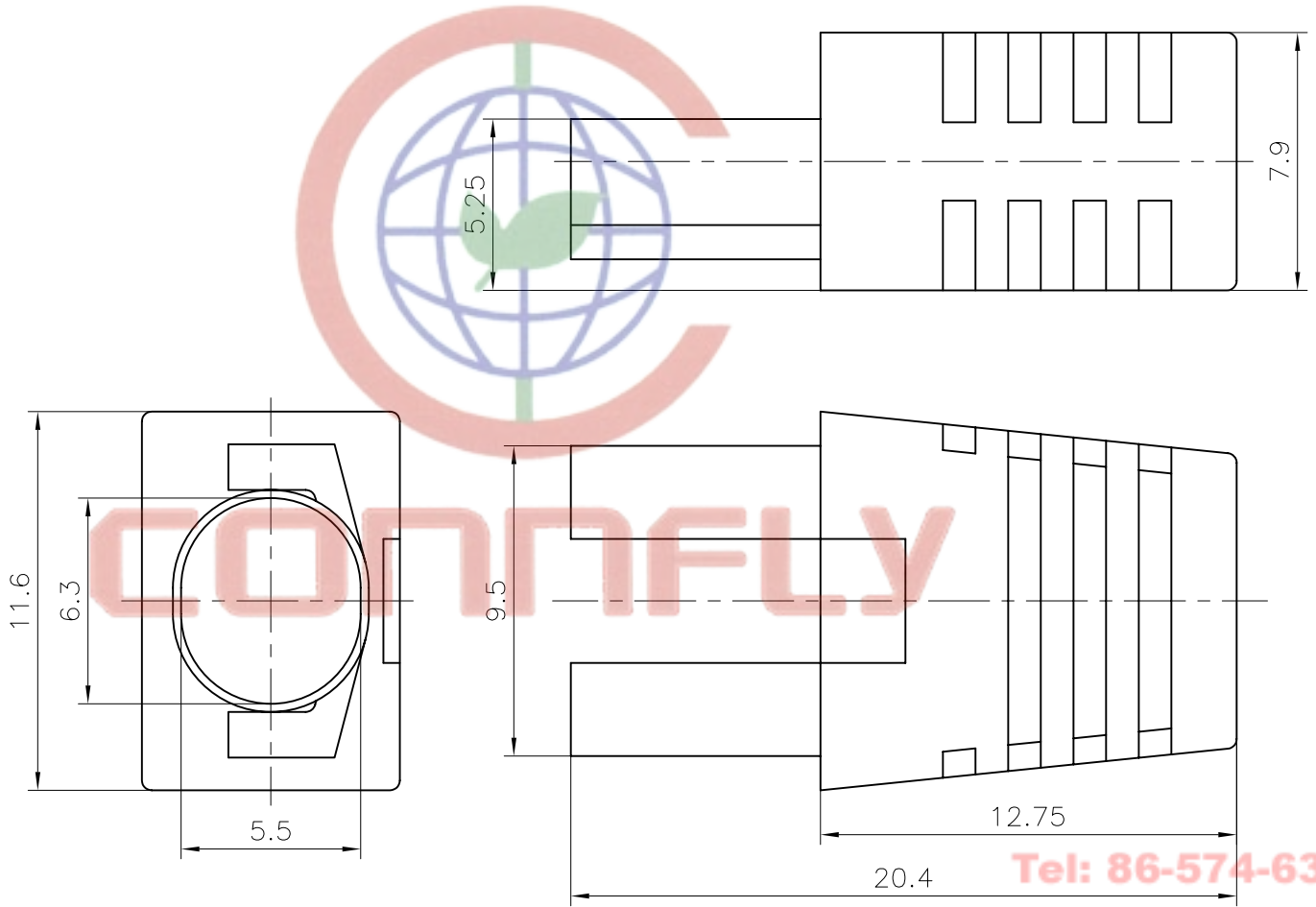


REV.	DESCRIPTION	DRAWN	CHECKED	APPROVED
A	NEW RELEASE	YCH 08/26/07'	~	

SPECIFICATION

- MATERIAL: PVC
- Product Number Code:  
 DS1124-07 - P X  
 Hood Color  
 V:Ivory  
 A:Gray  
 R:Red  
 G:Green  
 B:Black  
 Y:Yellow  
 Connector Type  
 P:Plug  
 Series No.  
 DS1124-07



Tel: 86-574-63508787  
 Fax: 86-574-63510817

GENERAL TOLERANCE		ANGLE TOLERANCE		PROJECTION	TITLE
X.	±0.60	X.	±5'	mm	PLUG 10P HOOD INSERT TYPE
.X	±0.38	.X	±3'	A4	SERIES DS1124-07 SERIES
.XX	±0.25	.XX	±2'		
DRAWING TYPE	CUSTOMER			CONNFLY CONNFLY ELECTRONIC CO. LTD	
SCALE	1:1	SHEET	1 OF 1		
DRAWING NO.	CIDS1124-07-PX				

晨翔电子有限公司  
 CONNFLY CONNFLY ELECTRONIC CO. LTD