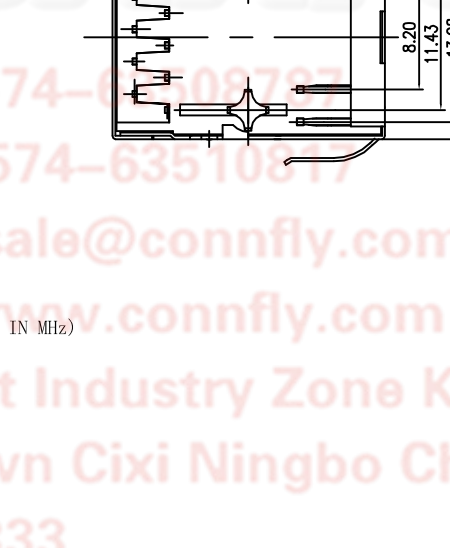
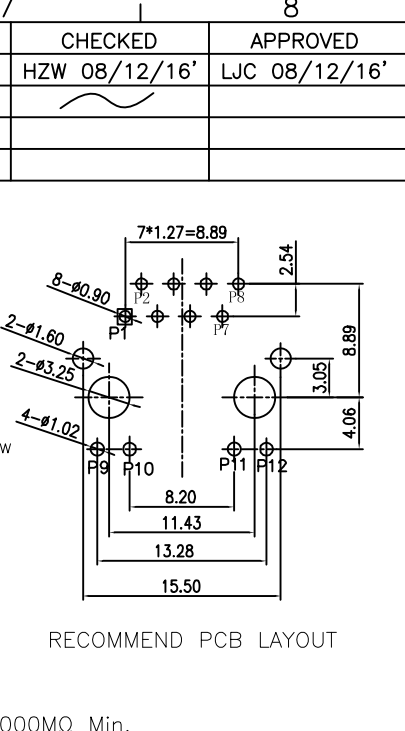
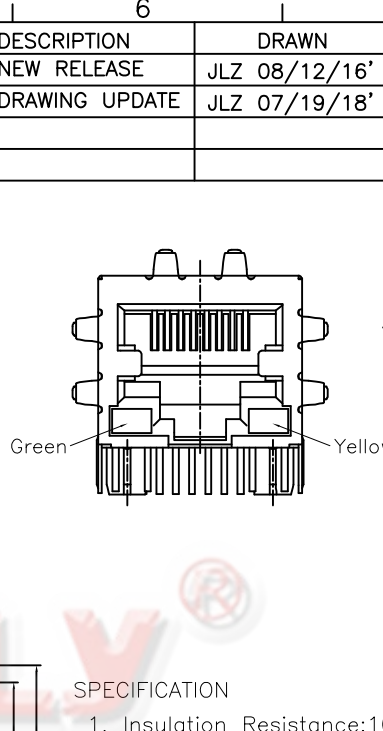
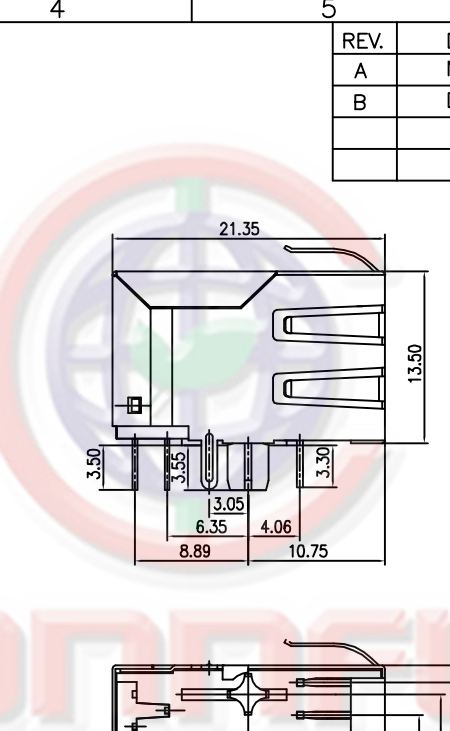
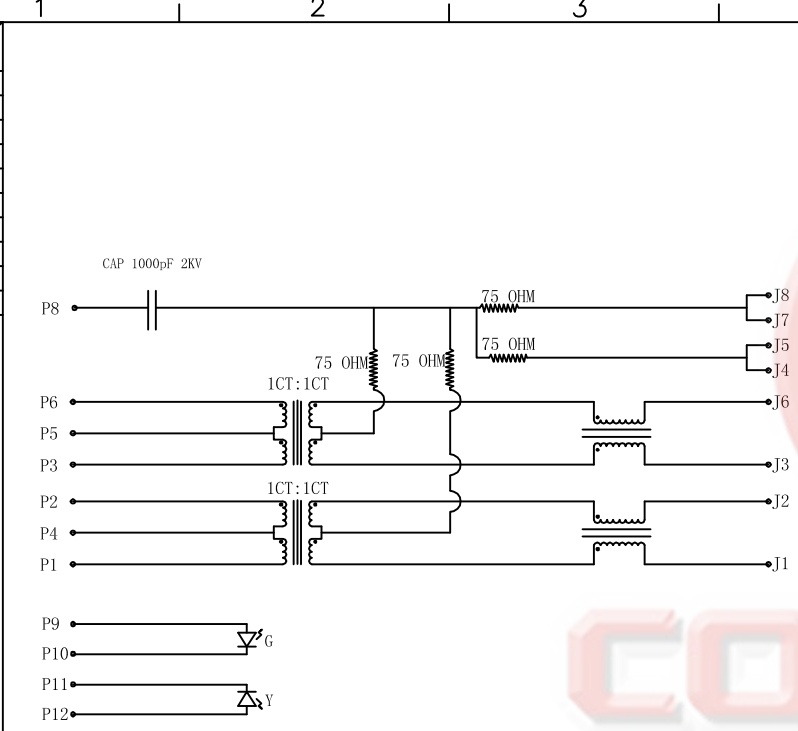


The information provided herein is from CONNELY Electronic Co., Ltd. and is confidential. Any disclosure to a party other than the recipient is prohibited. The intellectual properties and its rights contained herein, including but not limited to, trademarks, patents, copyrights, trade secrets, and technical know-how, are owned exclusively by CONNELY or its affiliates. Unauthorized use of this information in any format or manner, CONNELY may enforce its intellectual property rights at its own discretion; failures or delays to exercise such rights does not constitute a waiver of such rights.



- 1.0 TURN RATIO: (P1~P2): (J1~J2) : 1:1 ± 3%
- (P3~P6): (J3~J6) : 1:1 ± 3%
- 2.0 INDUCTANCE: (P1~P2) AND (P3~P6) : 350uH MIN @0.1V, 100KHZ, 8mA DC BIAS
- 3.0 LEAKAGE INDUCTANCE: P1~P2(WITH J1 AND J2 SHORT) : 0.35uH MAX @1MHZ
- P3~P6(WITH J3 AND J6 SHORT) : 0.35uH MAX @1MHZ
- 4.0 INTERWINDING CAPACITANCE: (P1~P2): (J1~J2) : 35pF MAX @ 1MHZ
- (P3~P6): (J3~J6) : 35pF MAX @ 1MHZ
- 5.0 DC RESISTANCE: (J1~J2): (J3~J6): 1.2 OHMS MAX
- 6.0 RETURN LOSS: 1MHZ TO 30MHZ : -18dB MIN
- 30MHZ TO 60MHZ : -(18-20log(f/30))dB MIN (WHERE f IS IN MHZ)
- 60MHZ TO 80MHZ : -12dB MIN
- 7.0 DIELECTRIC WITHSTAND: (P1~P2): (J1~J2) : 1500VAC OR 2250VDC
- (P3~P6): (J3~J6) : 1500VAC OR 2250VDC
- 8.0 INSERTION LOSS: 1MHZ TO 100MHZ : -1.2dB MAX
- 9.0 CROSS TALK: 1MHZ TO 100MHZ : -30dB MIN
- 10.0 COMMON TO COMMON MODE ATTENUATION: 1MHZ TO 100MHZ : -30dB MIN

SPECIFICATION

1. Insulation Resistance: 1000MΩ Min.
2. Withstand Voltage: 500V, AC/Minute.
3. Durability: 600 Cycles Min.
4. Product Number Code:

DS1128-07-X X X X

- Housing Color  
B: Black
- Contact Plating  
4: Selective 3u" gold  
J: Selective 6u" gold  
5: Selective 15u" gold
- No. Of Contacts  
8: 8p8c
- Connector Type  
S: Socket

REV.	DESCRIPTION	DRAWN	CHECKED	APPROVED
A	NEW RELEASE	JLZ 08/12/16'	HZW 08/12/16'	LJC 08/12/16'
B	DRAWING UPDATE	JLZ 07/19/18'		

GENERAL TOLERANCE		ANGLE TOLERANCE	
X.	±0.60	X.	±5°
.X	±0.38	.X	±3°
.XX	±0.25	.XX	±2°

DRAWING TYPE	CUSTOMER		
SCALE	1:1	SHEET	1 OF 1
DRAWING NO.	C-DS1128-07-XXXX-B		

PROJECTION		TITLE	PCB JACK 8P 1PORT W/ LED
UNITS	mm		W/ Shell AFTER 3.05mm Type
SHEET SIZE	A4	SERIES	DS1128-07 SERIES

**晨翔电子有限公司**  
**CONNELY CONNELY ELECTRONIC CO. LTD**