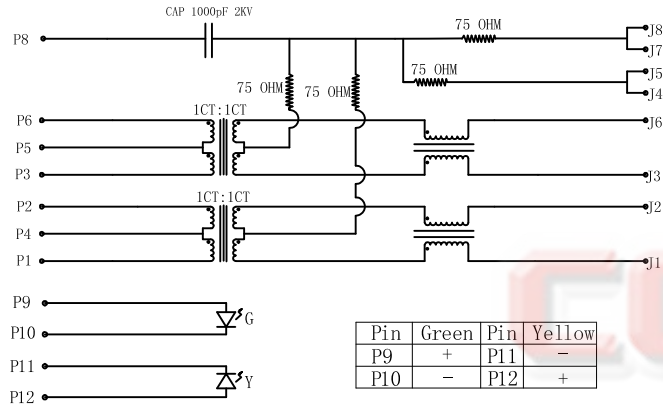


REV.	DESCRIPTION	DRAWN	CHECKED	APPROVED
A	NEW RELEASE	JLZ 11/22/16'	~	

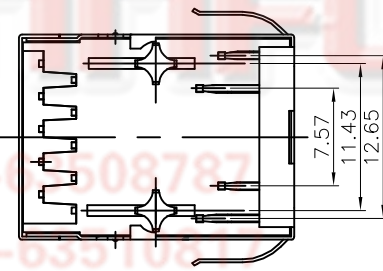
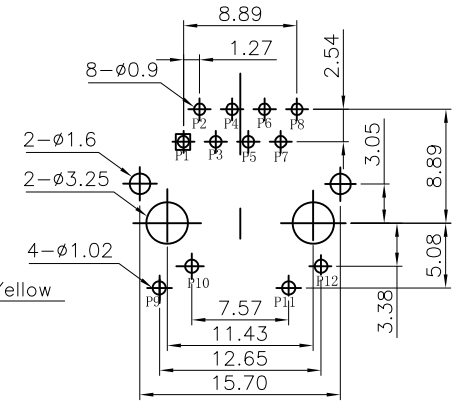
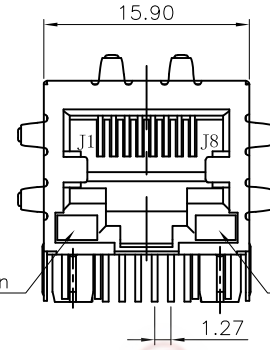
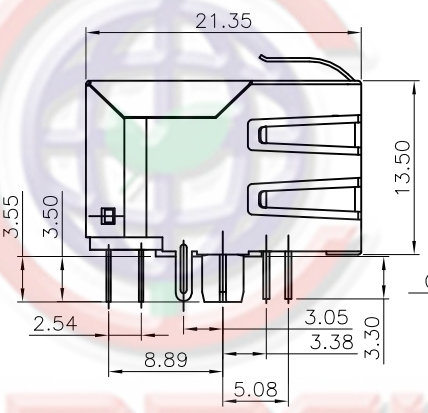
Circuit Schematic:



Pin	Green	Pin	Yellow
P9	+	P11	-
P10	-	P12	+

Electronical Specifications:

- 1.0 Turn Ratio @100KHz: (P1~P2):(J1~J2) = 1:1±5%
(P3~P6):(J3~J6) = 1:1±5%
- 2.0 Primary Inductance: 350uH MIN @100KHZ,0.1V 8mA DC BIAS
- 3.0 DC Resistance:(J1~J2):(J3~J6) 1.2 OHMS MAX
- 4.0 Insertion Loss: 1-100MHz -1.2dB MAX
- 5.0 Return Loss: 1-30MHz -16dB MIN
30-60MHz -12dB MIN
60-80MHz -10dB MIN
- 6.0 CROSS TALK: 1-100MHz -30dB MIN
- 7.0 COMMON TO COMMON MODE ATTENUATION: 1-100MHz -30dB MIN
- 8.0 Isolation: PHY Side to Line Side: 1500VAC or 2250VDC



SPECIFICATION

1. Insulation Resistance:1000MΩ Min.
2. Withstand Voltage:500V,AC/Minute.
3. Durability:600 Cycles Min.
4. Product Number Code:

DS1134-14-X X X X

- Housing Color
B:Black
- Contact Plating
J: Selective 6u" gold
- No.Of Contacts
8:8p8c
- Connector Type
S:Socket

Tel:86-574-6508787
Fax:86-574-6551067
E-mail:sale@connfly.com
http://www.connfly.com
East Industry Zone KuangYan
Town Cixi Ningbo China
P.C:315333

GENERAL TOLERANCE	ANGLE TOLERANCE	PROJECTION	TITLE	PCB JACK 8P 1PORT W/ LED W/ Shell AFTER 3.05mm Type
X. ±0.60 .X ±0.38 .XX ±0.25	X. ±5' .X ±3' .XX ±2'	mm A4	SERIES	DS1134-14 SERIES
DRAWING TYPE	CUSTOMER	晨翔电子有限公司 CONNFLY CONNFLY ELECTRONIC CO. LTD		
SCALE	1:1 SHEET 1 OF 1			
DRAWING NO.	C-DS1134-14-XXXX-A			