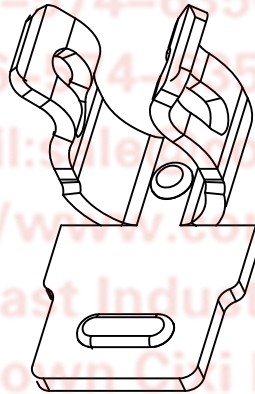
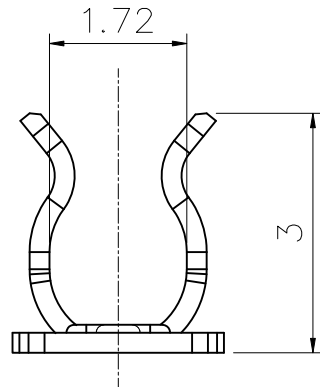
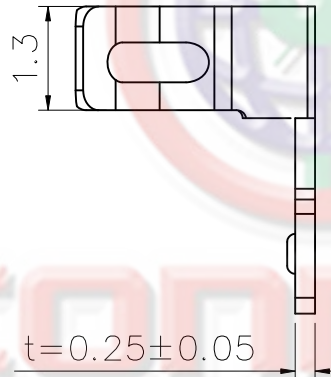
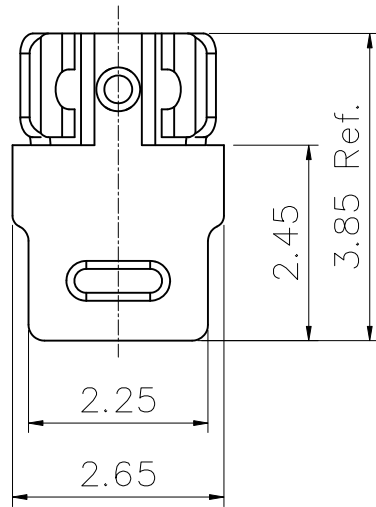


REV.	DESCRIPTION	DRAWN	CHECKED	APPROVED
A	NEW RELEASE	JLZ 03/08/16'		

- Notes:
1. Material: Phosphor Bronze, Thickness=0.25mm
  2. Plating: Matt Tin Over Nickel.
  3. Operating Life: 100 Cycles.
  4. Soldering Process: Reflow Soldering Compliance, Recommended Peak Temperature 255°C, 3-5 Seconds.
  5. This Product was RoHS Compliance.
  6. Packing Type: Vacuum Tape On Reel, 2500pcs/Reel, 5,000pcs/Inner box, 25,000pcs/Outer box.
  7. Applications: 32768KHz Crystal, Outer Diameter=1.8±0.05mm.
  8. Ordering Information:

DS1141-01 - X X X X

- Packing type  
R: Tape on Reel
- Plating(Pre-plating)  
6: Full Matt Tin
- Mounting type  
S: SMT type
- Connector Type  
S: Socket



3D VIEW

Tel:86-574-63508787  
 Fax:86-574-63510817  
 E-mail: sales@connfly.com  
 http://www.connfly.com  
 Add: East Industry Zone KuangYan  
 Town Cili Ningbo China  
 P.C:315333

GENERAL TOLERANCE		ANGLE TOLERANCE		PROJECTION		TITLE	Crystal Sokcet SMT Type	
X.	±0.60	X.	±2°	UNITS	mm	For 32768KHz Series		
.X	±0.38	.X	±1°	SHEET SIZE	A4	SERIES	DS1141-01 SERIES	
.XX	±0.25	.XX	±0.5°					
DRAWING TYPE		COMPONENTS			<b>晨翔电子有限公司</b> <b>CONNFLY® CONNFLY ELECTRONIC CO., LTD</b>			
SCALE		1:1	SHEET 1 OF 1					
DRAWING NO.		C-DS1141-01-XXXX-A						