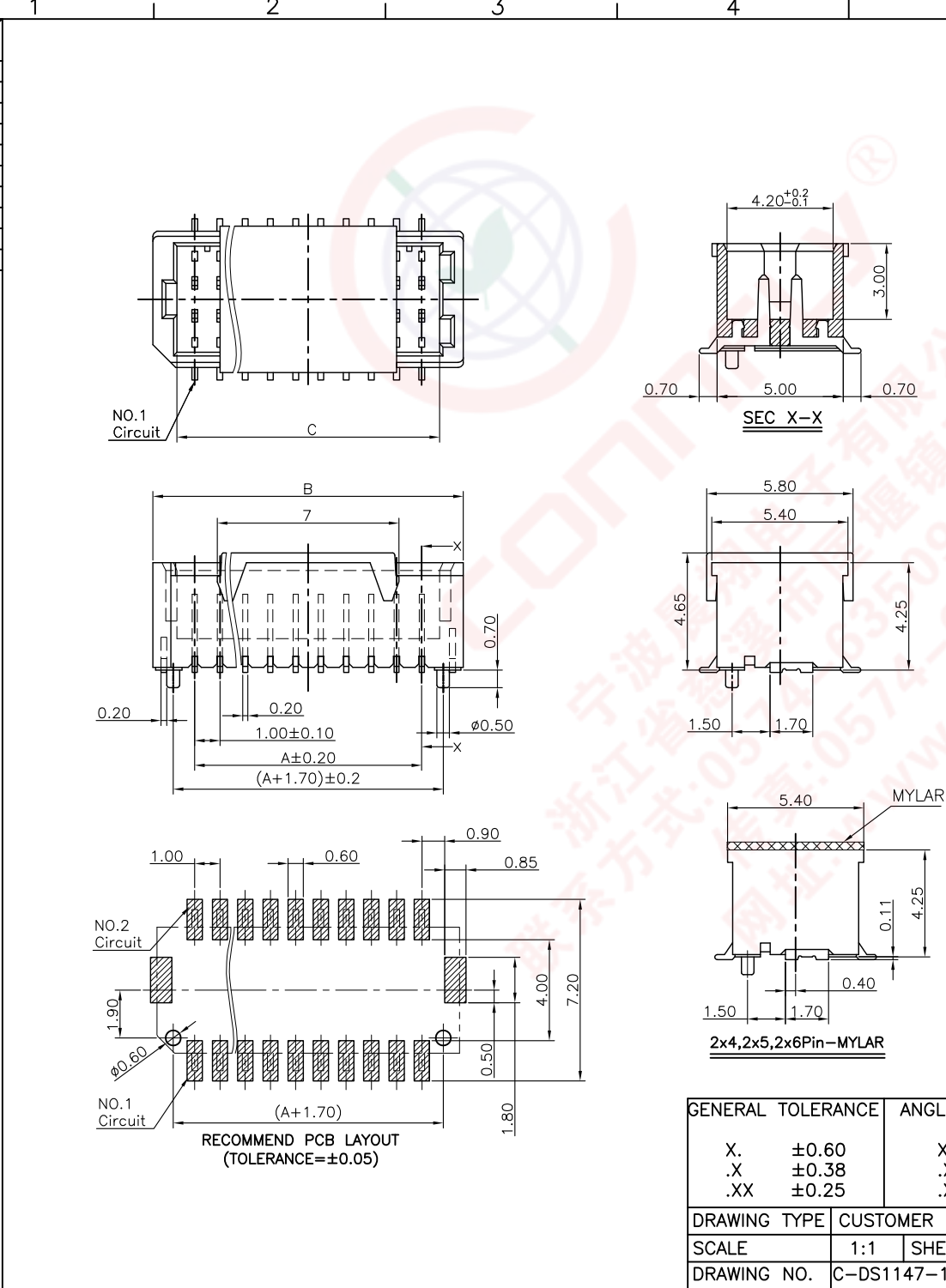


The information provided herein is from CONNELY Electronic Co., Ltd. and is confidential. Any disclosure to a party other than the recipient is prohibited. The intellectual properties and its rights contained herein, including but not limited to, trademarks, patents, copyrights, trade secrets, and technical know-how, are owned exclusively by CONNELY or its affiliates. Unauthorized use or reproduction of this document in any format or manner. CONNELY may enforce its intellectual property rights at its own discretion; failures or delays to exercise such rights does not constitute a waiver of such rights.



|      |             |               |         |          |
|------|-------------|---------------|---------|----------|
| REV. | DESCRIPTION | DRAWN         | CHECKED | APPROVED |
| A    | NEW RELEASE | QHZ 08/08/18' |         |          |
|      |             |               |         |          |
|      |             |               |         |          |

- NOTES:**
- MATERIAL:**
    - HOUSING: HIGH TEMPERATURE PLASTIC,UL94V-0
    - CONTACT: COPPER ALLOY
    - FITTING NAIL: COPPER ALLOY
  - SPECIFICATION**
    - CURRENT RATING: 1A
    - VOLTAGE RATING: 50V
    - TEMPERATURE RANGE: -25~+85°C
    - CONTACT RESISTANCE: 40mΩ max
    - INSULATION RESISTANCE: 100MΩ min
    - DIELECTRIC WITHSTANDING VOLTAGE: AC 500V PER MINUTE
  - PRODUCT NUMBER CODE:**

- DS1147-10- X X X X X X X X
- X - PACKING TYPE
  - R: TAPE ON REEL
  - B: TUBE
  - X - PICK UP SUPPORT
  - S: W/ PICK UP
  - X: W/O PICK UP
  - M: W/MYLAR
  - X - HOUSING COLOR
  - V: IVORY
  - X - CONTACT PLATING
  - 6: TIN
  - X - MOUNTING TYPE
  - S: SMT TYPE
  - X - CONNECTOR TYPE
  - M: MALE
  - X - No. OF CONTACTS
  - 08~60

| PART No. | Dimensions |       |       |
|----------|------------|-------|-------|
|          | Dim A      | Dim B | Dim C |
| 08       | 3.00       | 6.30  | 4.40  |
| 10       | 4.00       | 7.30  | 5.40  |
| 12       | 5.00       | 8.30  | 6.40  |
| 14       | 6.00       | 9.30  | 7.40  |
| 16       | 7.00       | 10.30 | 8.40  |
| 18       | 8.00       | 11.30 | 9.40  |
| 20       | 9.00       | 12.30 | 10.40 |
| 24       | 11.00      | 14.30 | 12.40 |
| 28       | 13.00      | 16.30 | 14.40 |
| 30       | 14.00      | 17.30 | 15.40 |
| 34       | 16.00      | 19.30 | 17.40 |
| 40       | 19.00      | 22.30 | 20.40 |
| 50       | 24.00      | 27.30 | 25.40 |
| 60       | 29.00      | 32.30 | 30.40 |

|                          |                       |              |           |                        |        |        |         |
|--------------------------|-----------------------|--------------|-----------|------------------------|--------|--------|---------|
| <b>GENERAL TOLERANCE</b> | X. ±0.60              | .X ±0.38     | .XX ±0.25 | <b>ANGLE TOLERANCE</b> | X. ±5° | .X ±3° | .XX ±2° |
| <b>DRAWING TYPE</b>      | <b>CUSTOMER</b>       |              |           |                        |        |        |         |
| <b>SCALE</b>             | 1:1                   | <b>SHEET</b> | 1 OF 1    |                        |        |        |         |
| <b>DRAWING NO.</b>       | C-DS1147-10-XXXXXXX-A |              |           |                        |        |        |         |

|                   |    |               |                        |
|-------------------|----|---------------|------------------------|
| <b>PROJECTION</b> |    | <b>TITLE</b>  | 1.00mm WAFER CONNECTOR |
| <b>UNITS</b>      | mm |               | V/T SMT TYPE           |
| <b>SHEET SIZE</b> | A4 | <b>SERIES</b> | DS1147-10 SERIES       |

**晨翔电子有限公司**  
**CONNELY CONNELY ELECTRONIC CO. LTD**

Dept  
Qty  
DC 1  
ED 1  
IE 1  
ISO 1  
PD 1  
R&D 1  
SD 1  
QA 1  
QC 1  
QE 1

The information provided herein is from CONNELY Electronic Co., Ltd. and is confidential. Any disclosure to a party other than the recipient is prohibited. The intellectual properties and its rights contained herein, including but not limited to, trademarks, patents, copyrights, trade secrets, and technical know-how, are owned exclusively by CONNELY or its affiliates. Unauthorized use of this information in any format or manner. CONNELY may enforce its intellectual property rights at its own discretion; failures or delays to exercise such rights does not constitute a waiver of such rights.

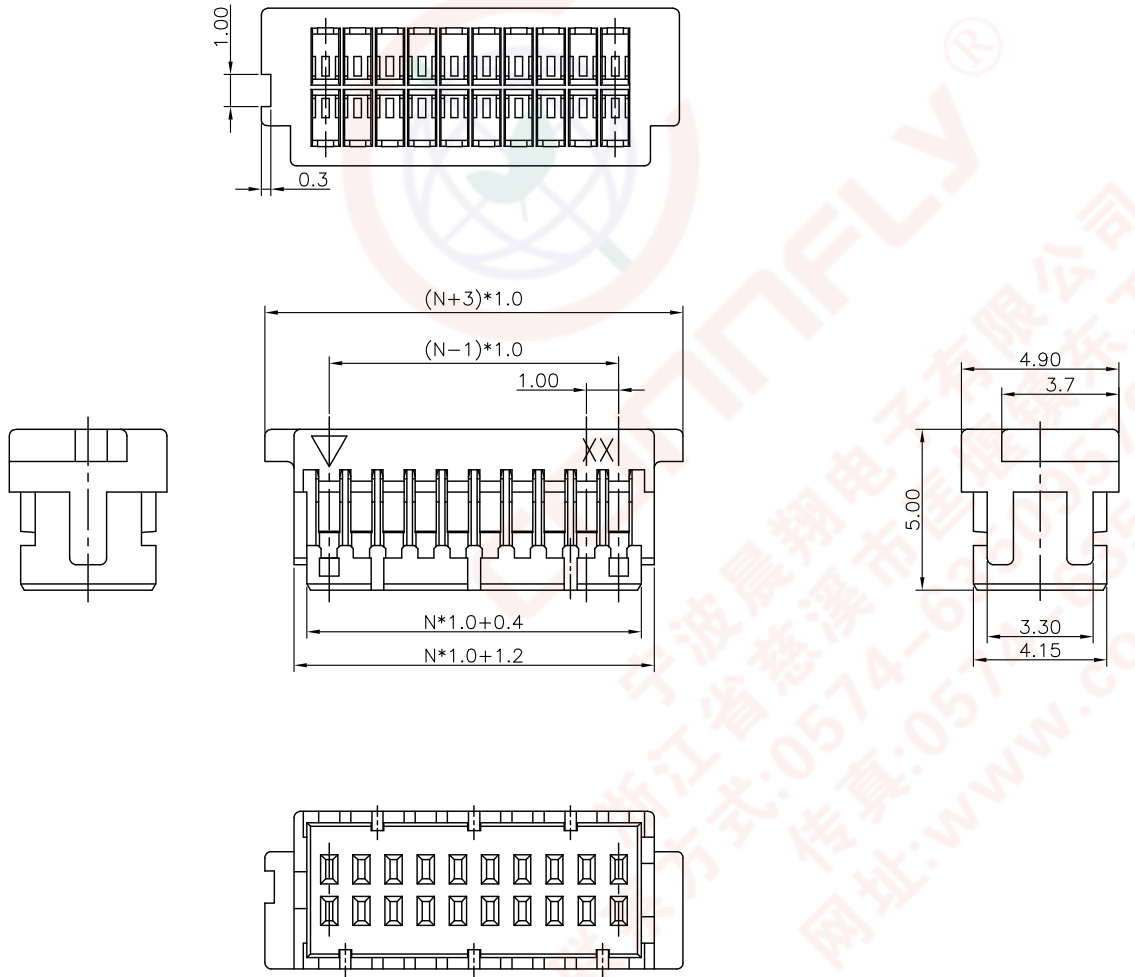
| REV. | DESCRIPTION | DRAWN         | CHECKED | APPROVED |
|------|-------------|---------------|---------|----------|
| A    | NEW RELEASE | JLZ 08/08/18' |         |          |
|      |             |               |         |          |
|      |             |               |         |          |

- NOTES:
- MATERIAL
    - INSULATOR:THERMOPLASTIC.
  - SPECIFICATION
    - TEMPERATURE:-25~+85°C.
    - INSULATION RESISTANCE:100MΩ min.
    - DIELECTRIC WITHSTANDING VOLTAGE:AC 500V PER MINUTE.
  - P/N CODE:

I - DS1147-10 - S C W 2 X

No. of Housing  
204:2x4.....  
230:2x30

Housing Color  
W: White

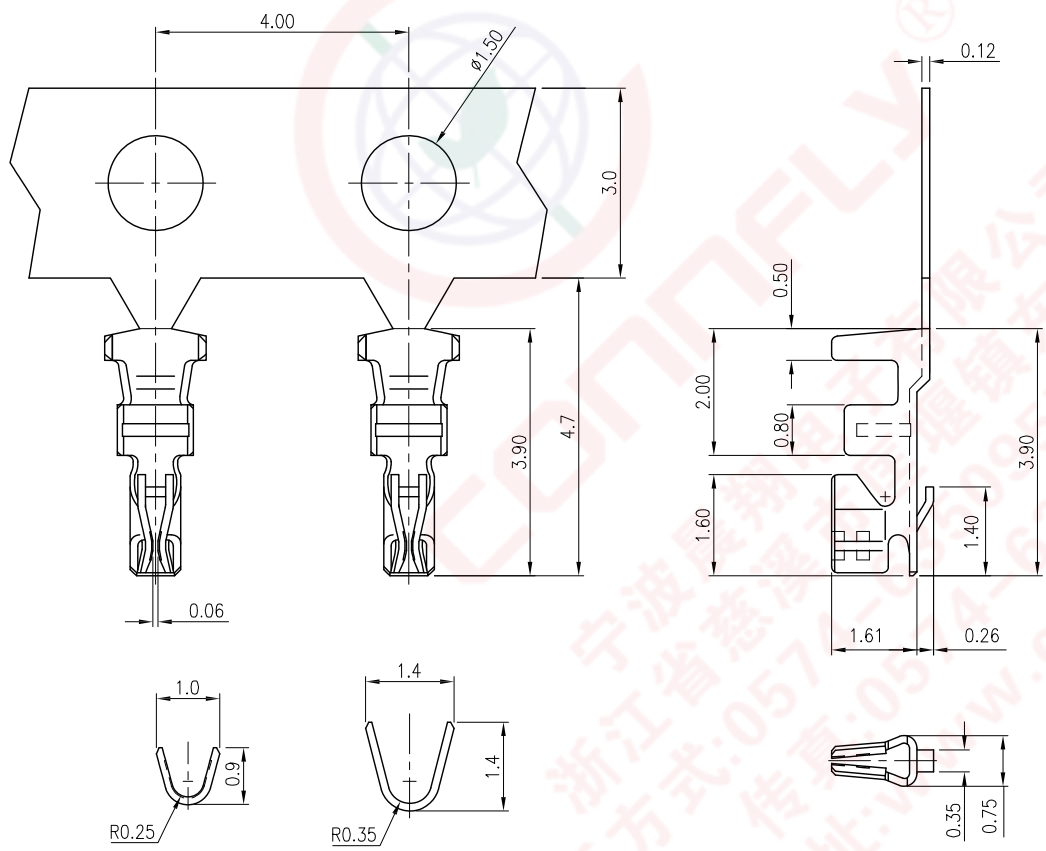


| GENERAL TOLERANCE |       | ANGLE TOLERANCE     |              | PROJECTION  | TITLE                         |
|-------------------|-------|---------------------|--------------|---|-------------------------------|
| X.                | ±0.60 | X.                  | ±5°          |   | 1.00mm Connector Type Housing |
| .X                | ±0.38 | .X                  | ±3°          | mm  |                               |
| .XX               | ±0.25 | .XX                 | ±2°          | A4  | SERIES DS1147-10 SERIES       |
| DRAWING TYPE      |       | CUSTOMER            |              | 晨翔电子有限公司<br><b>CONNFLY CONNELY ELECTRONIC CO. LTD</b> |                               |
| SCALE             |       | 1:1                 | SHEET 1 OF 1 |   |                               |
| DRAWING NO.       |       | I-DS1147-10-SCW2X-A |              |   |                               |

|      |   |   |   |   |   |   |   |   |
|------|---|---|---|---|---|---|---|---|
| Dept | 1 | 2 | 3 | 4 | 5 | 6 | 7 | 8 |
| Qty  |   |   |   |   |   |   |   |   |
| DC   | 1 |   |   |   |   |   |   |   |
| ED   | 1 |   |   |   |   |   |   |   |
| IE   | 1 |   |   |   |   |   |   |   |
| ISO  | 1 |   |   |   |   |   |   |   |
| PD   | 1 |   |   |   |   |   |   |   |
| R&D  | 1 |   |   |   |   |   |   |   |
| SD   | 1 |   |   |   |   |   |   |   |
| QA   | 1 |   |   |   |   |   |   |   |
| QC   | 1 |   |   |   |   |   |   |   |
| QE   | 1 |   |   |   |   |   |   |   |

| REV. | DESCRIPTION | DRAWN         | CHECKED | APPROVED |
|------|-------------|---------------|---------|----------|
| A    | NEW RELEASE | JLZ 08/08/18' |         |          |
|      |             |               |         |          |
|      |             |               |         |          |

The information provided herein is from CONNELY Electronic Co., Ltd. and is confidential. Any disclosure to a party other than the recipient is prohibited. The intellectual properties and its rights contained herein, including but not limited to, trademarks, patents, copyrights, trade secrets, and technical know-how, are owned exclusively by CONNELY or its affiliates. Unauthorized use of this information in any format or manner. CONNELY may enforce its intellectual property rights at its own discretion; failures or delays to exercise such rights does not constitute a waiver of such rights.



Wire Barrel

Insulation Barrel

Notes:  
 1.Materials: Copper Alloy.  
 2.Packing Type: Reel Paperl.  
 3.Part Number Code:  
 T - DS1147-10 - S C X 0 0  
 Plating:  
 6: Full Tin

|                   |       |                     |     |  |    |            |                                |        |                  |       |        |
|-------------------|-------|---------------------|-----|--|----|------------|--------------------------------|--------|------------------|-------|--------|
| GENERAL TOLERANCE |       | ANGLE TOLERANCE     |     | PROJECTION   |    | TITLE      | 1.00mm Connector Type Terminal |        |                  |       |        |
| X.                | ±0.60 | X.                  | ±5° | UNITS  | mm | SHEET SIZE | A4                             | SERIES | DS1147-10 SERIES |       |        |
| .X                | ±0.38 | .X                  | ±3° | <b>晨翔电子有限公司</b><br><b>CONNFLY CONNELY ELECTRONIC CO. LTD</b> |    |            |                                |        |                  |       |        |
| .XX               | ±0.25 | .XX                 | ±2° |  |    |            |                                |        |                  |       |        |
| DRAWING TYPE      |       | CUSTOMER            |     | SCALE  |    |            |                                |        | 1:1              | SHEET | 1 OF 1 |
| DRAWING NO.       |       | T-DS1147-10-SCX00-A |     |  |    |            |                                |        |                  |       |        |