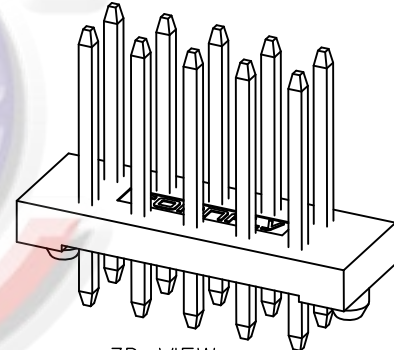
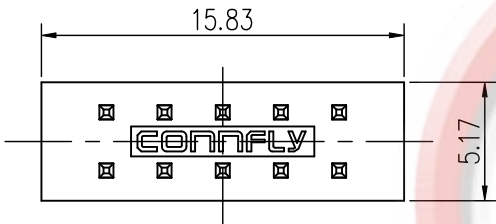


REV.	DESCRIPTION	DRAWN	CHECKED	APPROVED
A	NEW RELEASE	Andy_H 12/10/16'		LJC 12/10/16'



3D VIEW

TABLE A:

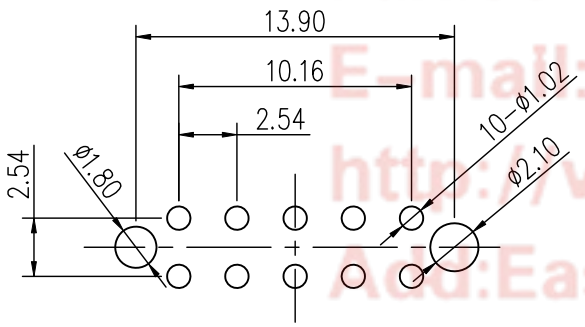
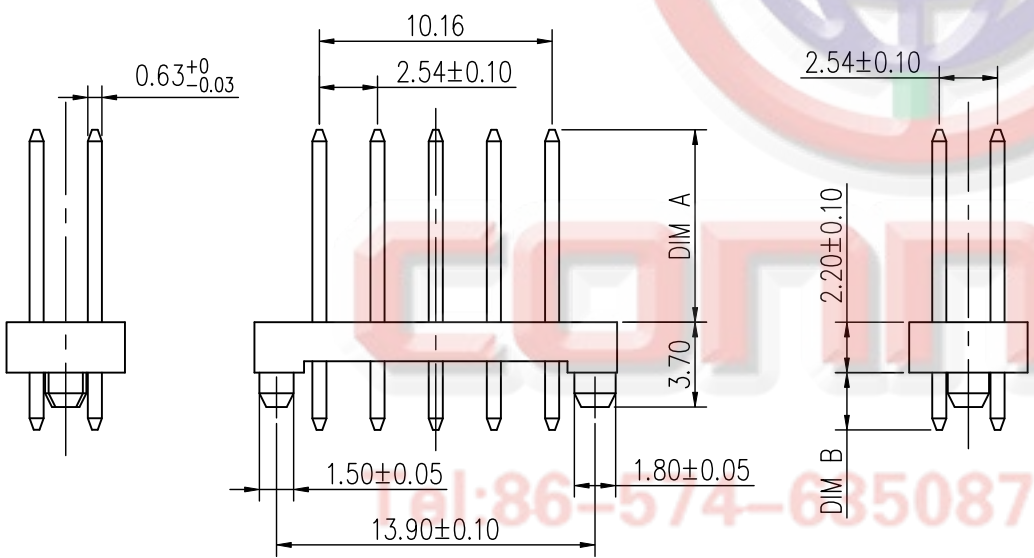
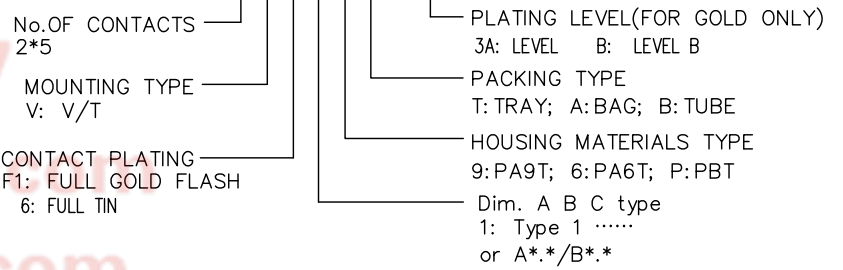
TYPE	Dimension		Pin Length (mm)
	A	B	
1	8.40	2.50	13.10

NOTES:

- MATERIALS
 - CONTACT MATERIAL: COPPER ALLOY.
 - INSULATOR: PBT/PA6T/PA9T, UL94 V-0.
- SPECIFICATIONS
 - CURRENT RATING: 3A.
 - OPERATING TEMPERATURE: -40°C TO +105°C.
 - INSULATION RESISTANCE: 1000MΩ MIN.
 - CONTACT RESISTANCE: 30mΩ MAX.
 - DIELECTRIC WITHSTANDING: 600 VAC.

3. PRODUCT NUMBER CODE:

DS1148-04- X X X X X X - X



RECOMMEND PCB LAYOUT
TOLERANCE: ±0.05

GENERAL TOLERANCE		ANGLE TOLERANCE	
X.	±0.60	X.	±3°
.X	±0.38	.X	±2°
.XX	±0.25	.XX	±1°
DRAWING TYPE	COMPONENTS		
SCALE	1:1	SHEET	1 OF 1
DRAWING NO.	C-DS1148-04-2*5VXXX-X-A		

PROJECTION		TITLE	2.54mm PIN HEADER V/T TYPE 2*5PIN
UNITS	mm		
SHEET SIZE	A4	SERIES	DS1148-04 SERIES

晨翔电子有限公司
CONNFLY CONNFLY ELECTRONIC CO. LTD