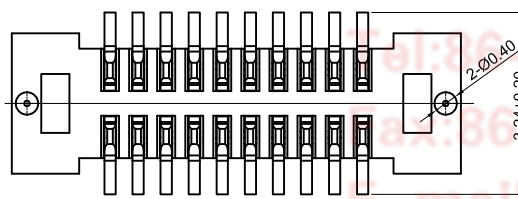
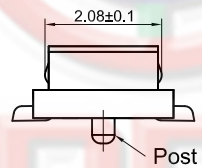
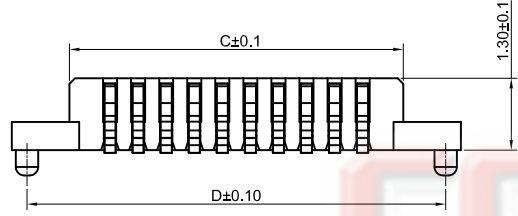
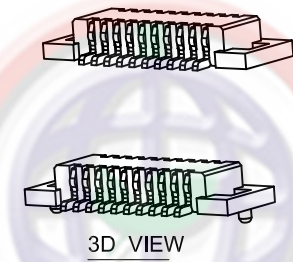
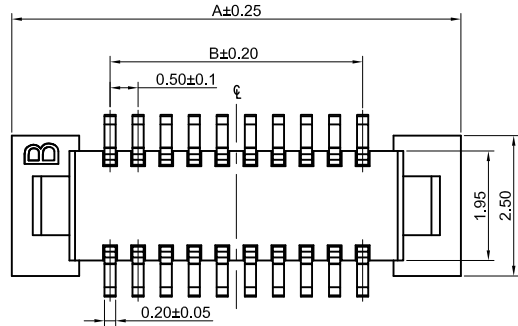


Dept
Qty
DC 1
ED 1
IE 1
ISO 1
PD 1
R&D 1
SD 1
QA 1
QC 1
QE 1

The information provided herein is from CONNELY Electronic Co., Ltd. and is confidential. Any disclosure to a party other than the recipient is prohibited. The intellectual properties and its rights contained herein, including but not limited to, trademarks, patents, copyrights, trade secrets, and technical know-how, are owned exclusively by CONNELY or its affiliates. Unauthorized use or reproduction of this document in any format or manner. CONNELY may enforce its intellectual property rights at its own discretion; failures or delays to exercise such rights does not constitute a waiver of such rights.

REV.	DESCRIPTION	DRAWN	CHECKED	APPROVED
A	NEW RELEASE	JLZ 03/21/19'		

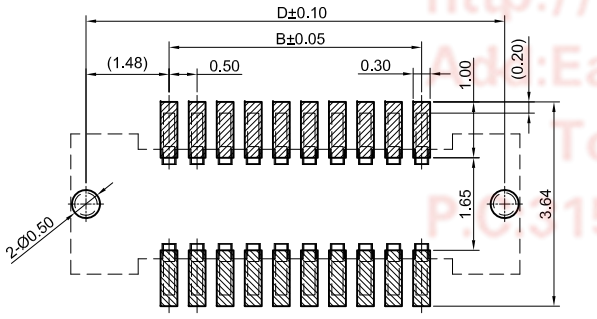
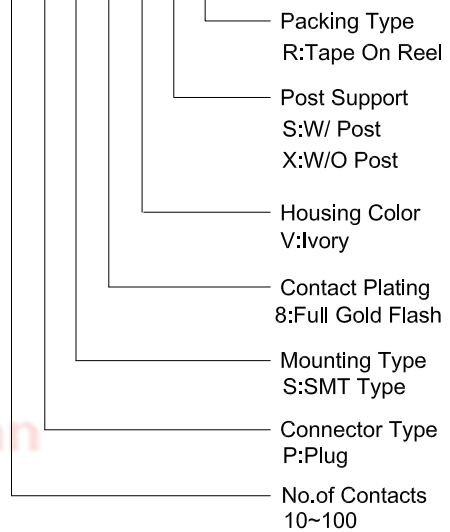


NO. of contacts	Dimensions			
	A.	B.	C.	D.
10	5.50	2.00	3.45	4.96
12	6.00	2.50	3.95	5.46
16	7.00	3.50	4.95	6.46
18	7.50	4.00	5.45	6.96
20	8.00	4.50	5.95	7.46
14	6.50	3.00	4.45	5.96
16	7.00	3.50	4.95	6.46
18	7.50	4.00	5.45	6.96
20	8.00	4.50	5.95	7.46
22	8.50	5.00	6.45	7.96
24	9.00	5.50	6.95	8.46
26	9.50	6.00	7.45	8.96
28	10.00	6.50	7.95	9.46
30	10.50	7.00	8.45	9.96
32	11.00	7.50	8.95	10.46
36	12.00	8.50	9.95	11.46
40	13.00	9.50	10.95	12.46
50	15.50	12.00	13.45	14.96
100	28.00	24.50	25.95	27.46

- Notes:
Specifications:
1. Contact Resistance: 80mΩ Max.
2. Insulation Resistance: 1000MΩ Min.
3. Dielectric Withstanding Voltage: 150V AC(rms) For 1 Minute.
4. Current Rating:0.5A/Pin.
5. Voltage Rating:60V AC rms.
6. Temperature: -40°C~+85°C.

- Materials:
1. Contact Material: Copper Alloy.
2. Contact Plating: Gold Plating Over Nickel.
3. Insulator Material: LCP,Ivory,UL94-V0.

Product Number Code:
DS1151-03 - X X X X X X X 0



RECOMMEND PCB LAYOUT (TOLERANCE=±0.05)

GENERAL TOLERANCE		ANGLE TOLERANCE	
X.	±0.60	X.	±5°
.X	±0.38	.X	±3°
.XX	±0.25	.XX	±2°

PROJECTION		TITLE	0.50mm Board to Board SMT Single Groove Male Type
UNITS	mm	SERIES	DS1151-03 SERIES

DRAWING TYPE	CUSTOMER		
SCALE	1:1	SHEET	1 OF 1
DRAWING NO.	C-DS1151-03-XXXXXX0-A		

晨翔电子有限公司
CONNFLY CONNELY ELECTRONIC CO. LTD